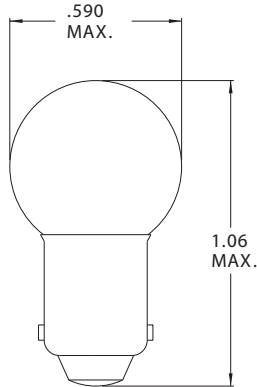
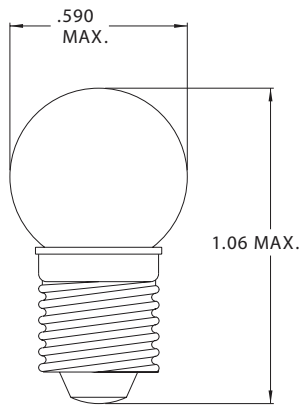


G-4 1/2 Miniature Bayonet Base



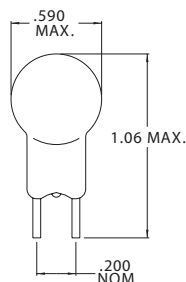
Part Number	Design Voltage	Amps	MSCP	Life Hours	Filament Type
427	5.0	.50	2.3	15	C-2R
503	5.1	.15	.60	100	C-2R
607	6.0	.50	3.6	3	C-2R
1406	6.0	.04	.10	250	C-6
604	6.15	.50	3.2	15	C-2R
55	7.0	.41	2.0	500	C-2R
1896	7.0	.50	2.2	1,500	C-2R
57	14.0	.24	2.0	500	C-2V
57X	14.0	.24	2.0	500	C-2F
293	14.0	.33	2.0	5,000	C-2F
431	14.0	.25	2.7	250	C-2V
1895	14.0	.27	2.0	1,500	C-2F
433	18.0	.25	3.5	250	C-2V
456	28.0	.17	2.0	5,000	C-2F

G-4 1/2 Miniature Screw Base



Part Number	Design Voltage	Amps	MSCP	Life Hours	Filament Type
136	1.25	.60	.20	75	S-2
116	2.65	.41	.80	15	C-2R
27	4.90	.30	1.4	30	C-2R
425	5.00	.50	2.3	15	C-2
502	5.10	.15	.60	100	C-2R
1482	6.00	.45	2.2	100	C-2R
1483	6.00	.04	.10	500	C-6
31	6.15	.30	2.0	15	C-2R
605	6.15	.50	3.4	15	C-2R
428	12.50	.25	2.4	250	C-2V
430	14.0	.25	2.7	250	C-2R
432	18.0	.25	3.5	250	C-2V

G-4 1/2 Miniature 2 Pin Base



Part Number	Design Voltage	Amps	MSCP	Life Hours	Filament Type
15	7.0	.40	2.0	500	C-6
20	14.0	.23	2.0	500	C-2R