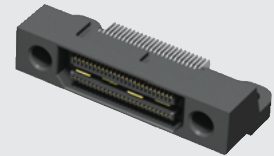


QSS-050-01-L-D-RA-WT



QSS-025-01-L-D-RA

**QSS-RA SERIES**

(0,635 mm) .025"

# RIGHT ANGLE GROUND PLANE SOCKET

## SPECIFICATIONS

For complete specifications and recommended PCB layouts see [www.samtec.com?QSS-RA](http://www.samtec.com?QSS-RA)

**Insulator Material:**  
Liquid Crystal Polymer  
**Contact Material:**  
Phosphor Bronze

**Plating:**  
Au or Sn over  
50µ" (1,27 µm) Ni  
**Current Rating:**  
Contact:  
2 A per pin  
(1 pin powered per row)  
Ground Plane:  
15.7 A per ground plane  
(1 ground plane powered)

**Operating Temp:**  
-55°C to +125°C  
**Voltage Rating:**  
275 VAC mated with QTS-RA  
**RoHS Compliant:**  
Yes

**Processing:**  
**Lead-Free Solderable:**  
Yes  
**SMT Lead Coplanarity:**  
(0,10 mm) .004" max (025-075)

**Board Mates:**  
QTS

**Cable Mates:**  
SQCD

### APPLICATIONS



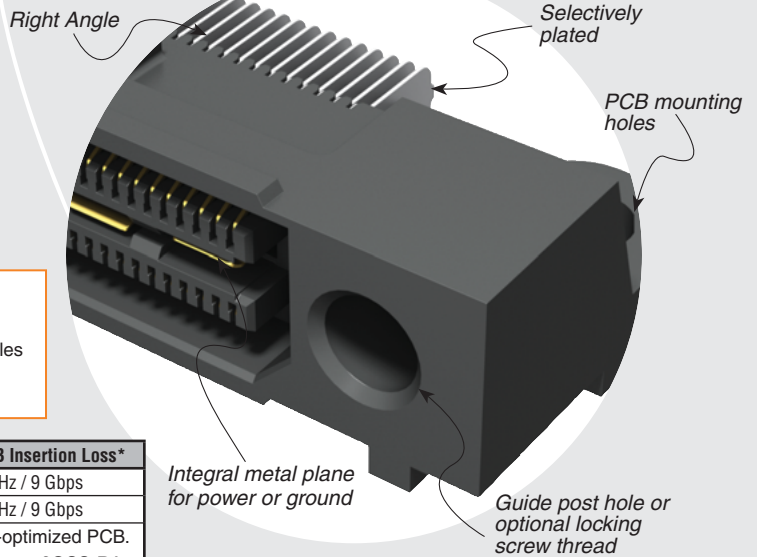
HORIZONTAL



- Guide posts
- Weld tabs
- PCB mounting holes
- Solder pin option

QSS-RA/QTS-RA	Type	Rated @ 3dB Insertion Loss*
Single-Ended Signaling	-D	4.50 GHz / 9 Gbps
Differential Pair Signaling	-D	4.50 GHz / 9 Gbps

\*Performance data includes effects of a non-optimized PCB.  
Complete test data available at [www.samtec.com?QSS-RA](http://www.samtec.com?QSS-RA) or contact [sig@samtec.com](mailto:sig@samtec.com)



**QSS** — **NO. OF POSITIONS PER ROW** — **01** — **PLATING OPTION** — **D** — **RA** — **WT**

**-025, -050, -075**  
(50 total positions per bank)

**-F**  
= Gold Flash on Signal Pins and Ground Plane, Matte Tin on tails

**-L**  
= 10µ" (0,25 µm) Gold on Signal Pins and Ground Plane, Matte Tin on tails

**-WT**  
= Weld Tab (Not available on 25 position)

## RECOGNITIONS

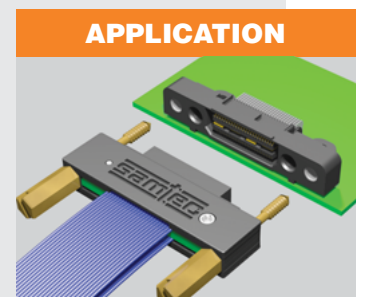
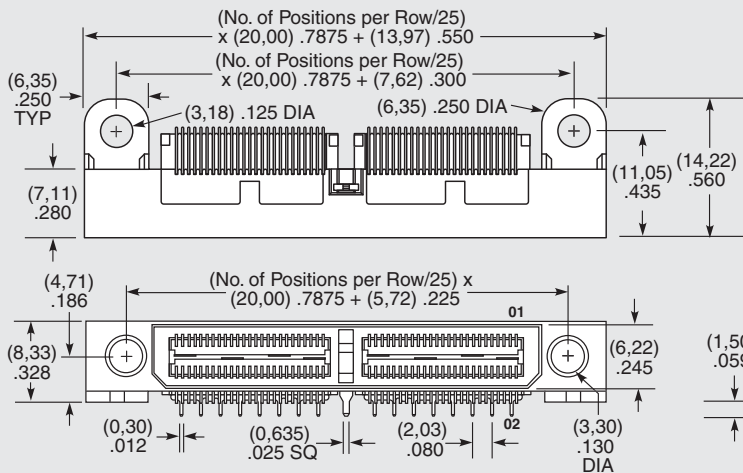
For complete scope of recognitions see [www.samtec.com/quality](http://www.samtec.com/quality)



FILE NO. E111594

## ALSO AVAILABLE (MOQ Required)

- 30µ" (0,76 µm) Gold
  - Tray Packaging
  - Lead style for (2,36 mm) .093" thick board
  - Threaded insert (-MTI) for mating with SQCD with captive screws
  - -LS1 Locking Screw Hole for mating with QTS-RA-LS1
  - 100 positions per row
- Contact Samtec.



**Note:** Some lengths, styles and options are non-standard, non-returnable.