

D-SUBMINIATURE ACCESSORIES

OVERVIEW

FCI's D-Subminiature connectors are part of an industry standard for applications requiring robust and reliable connectors. These proven D-Subminiature connectors are one of the most popular Input /Output interconnects, addressing a wide variety of applications in Telecommunications, Data, Consumer, Industrial, Military, Instrumentation and Medical. Since many years FCI has been offering a wide range of D-Subminiature connectors to meet various design requirements including those in harsh environment.

D-sub connectors are the preferred Input/Output connectors in interface functions between equipment terminals, equipment network etc. During such applications they may be submitted to mechanical stresses that are sometimes severe. In order to prevent risks (pulling up, accidental unmating, etc), FCI offers a wide range of derived accessories. For instance plastic or metalised plastic hoods, EMI/RFI shielded two part metal hoods. Various cable clamps, locking devices, dust caps, brackets etc.



FEATURES & BENEFITS

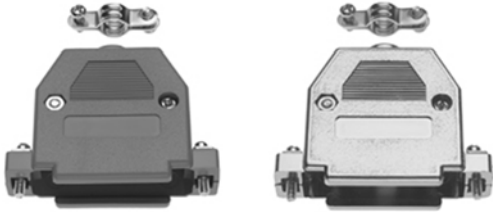
- Hoods available in Plastic, Metalised and Metallic form
- Hoods available for 09 to 50 way connectors
- EMI/RFI shielded straight & angled exit Metal hoods with cable strain relief and jackscrews
- Hoods available with different orientation and locking options
- Different locking devices like screw locks, lever locks etc
- Metal and plastic dust caps
- RoHS compliant

TARGET MARKETS/APPLICATIONS

- Data
 - Servers
 - Server & storage blades
 - External Storage system
 - HDDs
 - HDD Carriers
- Communications
 - Processor & Storage blades
 - Mezzanine cards
- Industrial, Instrumentation & Medical
 - Embedded system boards

D-SUB – HOODS

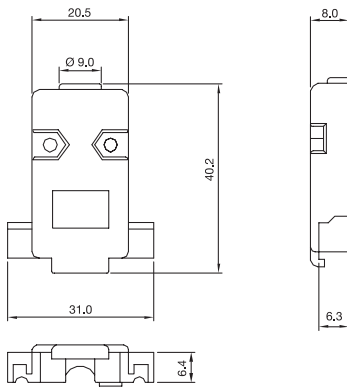
1 • STRAIGHT EXIT PLASTIC AND METALISED HOOD WITH INTEGRATED LOCKING – ECONOMICAL SERIES



- Material: Self-extinguishing UL94V-0 thermoplastic
- Colour: Black / metalised
- Temperature range : -55°C +105°C
- Locking screws : UNC 4-40 thread

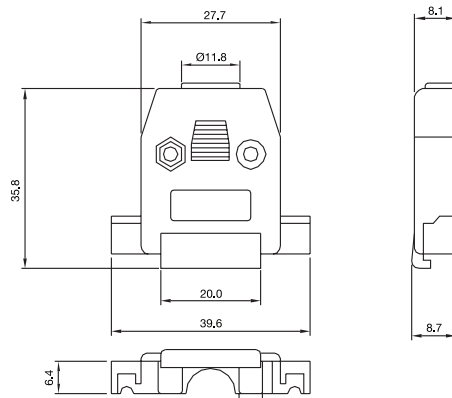
SHELL SIZE E (9 WAY)

| Hood | Part Number |
|----------------|------------------|
| Plastic hood | 10039449-00001LF |
| Metalised hood | 10039449-00002LF |



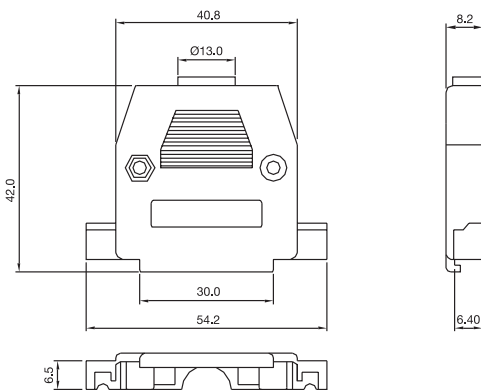
SHELL SIZE A (15 WAY)

| Hood | Part Number |
|----------------|------------------|
| Plastic hood | 10039450-00001LF |
| Metalised hood | 10039450-00002LF |



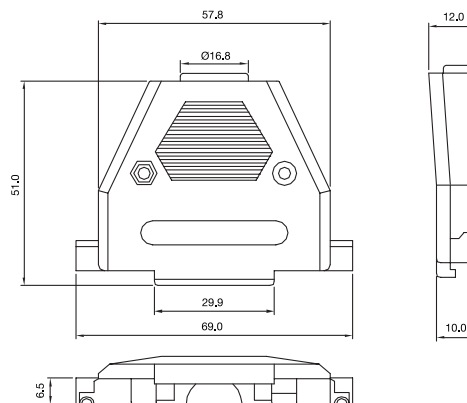
SHELL SIZE B (25 WAY)

| Hood | Part Number |
|----------------|------------------|
| Plastic hood | 10039451-00001LF |
| Metalised hood | 10039451-00002LF |



SHELL SIZE C (37 WAY)

| Hood | Part Number |
|----------------|------------------|
| Plastic hood | 10039452-00001LF |
| Metalised hood | 10039452-00002LF |

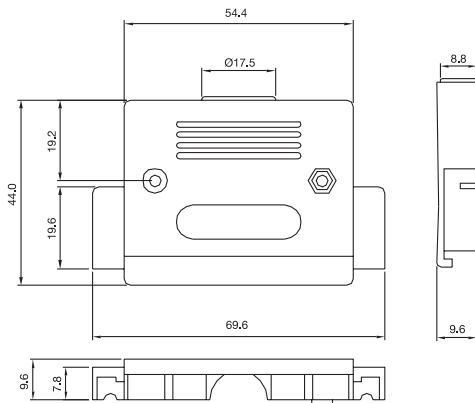


D-SUB – HOODS

STRAIGHT EXIT PLASTIC AND METALISED HOOD WITH INTEGRATED LOCKING

SHELL SIZE D (50 WAY)

| Hood | Part Number |
|----------------|------------------|
| Plastic hood | 10039453-00001LF |
| Metalised hood | 10039453-00002LF |



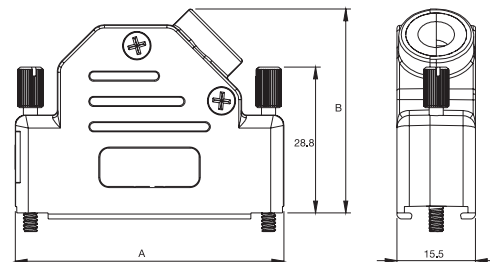
2 • ANGLE EXIT PLASTIC HOOD FOR CABLE



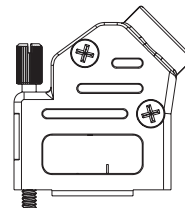
| Shell size | Part Number | A | B | Cable Diameter |
|------------|----------------|------|------|----------------|
| E (9) | 8655PHRA0901LF | 31.0 | 36.2 | 4 to 13mm |
| A (15) | 8655PHRA1501LF | 39.5 | 40.2 | |
| B (25) | 8655PHRA2501LF | 53.0 | 40.2 | |
| C (37) | 8655PHRA3701LF | 69.5 | 40.2 | |

All dimensions in mm.

Size A,B,C



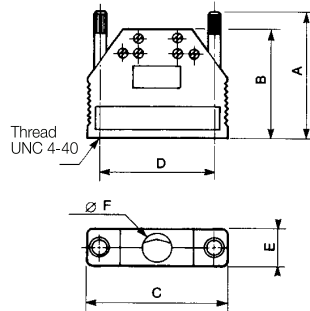
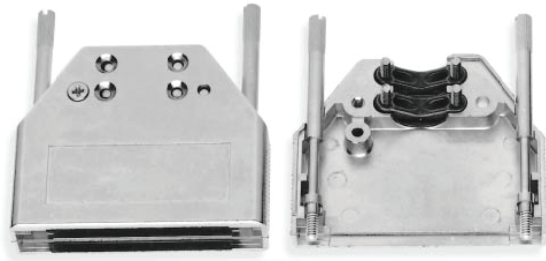
Size E



- Hoods available in Plastic, Metalised and Metallic form
- Cable strain relief : Steel fibre reinforced polycarbonate UL94V-0
- Colour: Black
- Temperature range : -40°C +120°C
- Packaging : Bulk, in box of 100 pieces
- Locking screws : UNC 4-40 thread

D-SUB – HOODS

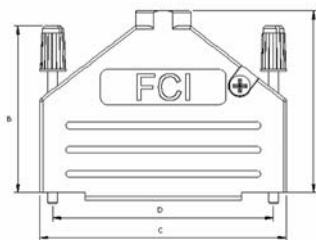
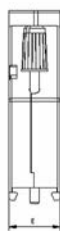
3 • STRAIGHT EXIT METAL HOOD WITH TWO METAL CLAMPS FOR CABLE EMI / RFI



| Shell size | Part numbers in bulk | Packaging | Part numbers (in individual set) | Packaging | A ^{±0.1} | B ^{±0.5} | C ^{±0.1} | D ^{±0.1} | E ^{±0.2} | F max. |
|------------|----------------------|-----------|----------------------------------|-----------|-------------------|-------------------|-------------------|-------------------|-------------------|--------|
| E | 8655MH0901LF | 80 | 8655MH0911LF | 50 | 55.00 | 45.00 | 34.40 | 24.99 | 14.70 | 7.85 |
| A | 8655MH1501LF | 80 | 8655MH1511LF | 50 | 55.00 | 45.00 | 42.70 | 33.32 | 14.70 | 11.80 |
| B | 8655MH2501LF | 60 | 8655MH2511LF | 50 | 55.00 | 45.00 | 56.70 | 47.04 | 14.70 | 11.80 |
| C | 8655MH3701LF | 40 | 8655MH3711LF | 50 | 55.00 | 45.00 | 72.95 | 63.50 | 14.70 | 11.80 |
| D | 8655MH5001LF | 40 | 8655MH5011LF | 50 | 55.00 | 45.00 | 70.60 | 61.11 | 14.70 | 14.10 |

- Material: Zamack
- Plating : Nickel
- Environment : Frequencies at 100Mz > 40dB
- Corrosion resistance : 50 Hours exposure to salt spray

4 • STRAIGHT EXIT METAL HOOD FOR CABLE EMI / RFI – ECONOMICAL SERIES



| Shell size | Part numbers in bulk | A | B | C | D | E |
|------------|----------------------|------|------|------|-------|------|
| E | 8655MH0901BLF | 38.3 | 47.3 | 31 | 24.99 | 14.6 |
| A | 8655MH1501BLF | 40.5 | 47.3 | 39.5 | 33.32 | 14.6 |
| B | 8655MH2501BLF | 47.3 | 47.3 | 53.2 | 47.04 | 14.6 |
| C | 8655MH3701BLF | 52.2 | 47.3 | 70.9 | 63.5 | 15 |

- Material: Zamack, nickel plated
- Cable strain relief : Steel fiber reinforced polycarbonate UL94V-0 for EMI/RFI screening
- Temperature range : -40°C +120°C
- Environment : >40dB between 30MHz and 1GHz
- Packaging : Bulk, in box of 100 pieces
- Locking screws : UNC 4-40 thread

D-SUB – HOODS

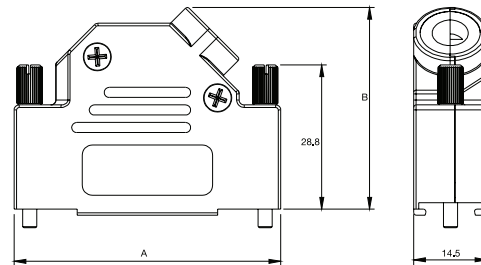
5 • ANGLE EXIT METAL HOOD FOR CABLE EMI / RFI – ECONOMICAL SERIES



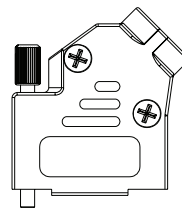
| Shell size | Part Number | A | B | Cable Diameter |
|------------|----------------|------|------|----------------|
| E (9) | 8655PHRA0901LF | 31.0 | 36.2 | 4 to 13 mm |
| A (15) | 8655PHRA1501LF | 39.5 | 40.2 | |
| B (25) | 8655PHRA2501LF | 53.2 | 40.2 | |
| C (37) | 8655PHRA3701LF | 69.7 | 40.2 | 10 to 16 mm |
| D (50) | 8655MHRA5001LF | 67.2 | 43.7 | |

- Material: Zamack, Nickel plated
- Cable strain relief : Steel fibre reinforced polycarbonate UL94V-0 for EMI/RFI screening
- Temperature range : -40°C +120°C

Size A,B,C



Size E

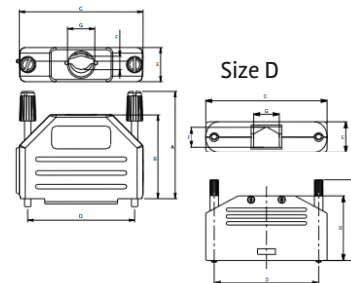


- Environment : >40 dB between 30MHz and 1GHz
- Packaging : Bulk, in box of 100 pieces
- Locking screws : UNC 4-40 thread

6 • “SNAP TOGETHER” PLASTIC HOOD



Size E, A,B,C



| Shell size | Part Number | A | B | C | D | E | with clamp | | without clamp | | |
|------------|-------------|------|------|------|-------|----|------------|--------|---------------|----|-----|
| | | | | | | | F min. | F max. | G | G | |
| E (9) | 86303637BLF | 31.0 | 36.2 | 32.4 | 24.99 | 15 | 1 | 5.5 | 8.5 | 7 | 8.5 |
| A (15) | 86303638BLF | 39.5 | 40.2 | 40.7 | 33.32 | 15 | 4 | 7 | 12 | 11 | 12 |
| B (25) | 86303639BLF | 53.2 | 40.2 | 54.4 | 47.04 | 15 | 4 | 7 | 12 | 11 | 12 |
| C (37) | 86303640BLF | 69.7 | 40.2 | 70.9 | 63.5 | 15 | 4 | 7 | 12 | 11 | 12 |
| D (50) | 86303641BLF | 67.2 | 43.7 | 71.2 | 61.11 | 15 | 4 | 11.5 | 15.5 | 14 | 18 |

- Material: Zamack, nickel plated
- Material (size D) : Thermoplastic (UL94V-2)
- Colour : Black
- Temperature range : -40°C +95°C
- Packaging : Individual sets
- Locking screws : UNC 4-40 thread

D-SUB – HOODS

7 • UNIVERSAL PLASTIC HOOD WITH METAL CLAMP FOR STRAIN RELIEF



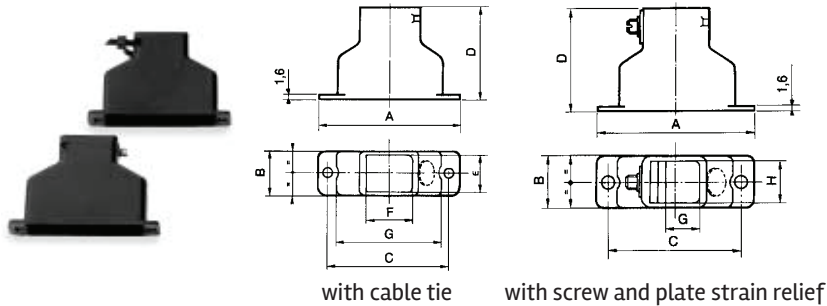
| Shell size | Part Numbers Black Hood | Part Numbers Metalised Hood | A | B | C | With clamp | | | Without clamp | |
|------------|----------------------------|-----------------------------------|-------|-------|-------|------------|------|-------|---------------|-------|
| | | | | | | D | E | | D | E |
| | | | | | | | min. | max. | | |
| E | 863093C09ALF | 863093C09MLF | 29.75 | 15.50 | 24.25 | 6 | 1.90 | 0.10 | 8 | 11.50 |
| A | 863093C15ALF | 863093C15MLF | 29.75 | 15.50 | 32.50 | 6 | 1.90 | 0.10 | 8 | 11.50 |
| B | 863093C25ALF | 863093C25MLF | 46.50 | 15.50 | 46.00 | 13.50 | 2.60 | 0.10 | 16 | 11.50 |
| C | 863093C37ALF | 863093C37MLF | 46.50 | 15.50 | 60.50 | 13.50 | 2.60 | 0.10 | 16 | 11.50 |
| D | 863093C50ALF | 863093C50MLF | 46.50 | 18.00 | 56.50 | 15.50 | 4.40 | 12.60 | 18 | 14.00 |

- Material (black hood): Self-extinguishing UL94V-0 thermoplastic
- Material (metalised): Thermoplastic
- Temperature range : -55°C +125°C
- Packaging: Individual sets

All dimensions in mm.

MONOBLOC PLASTIC HOODS FOR POTTING

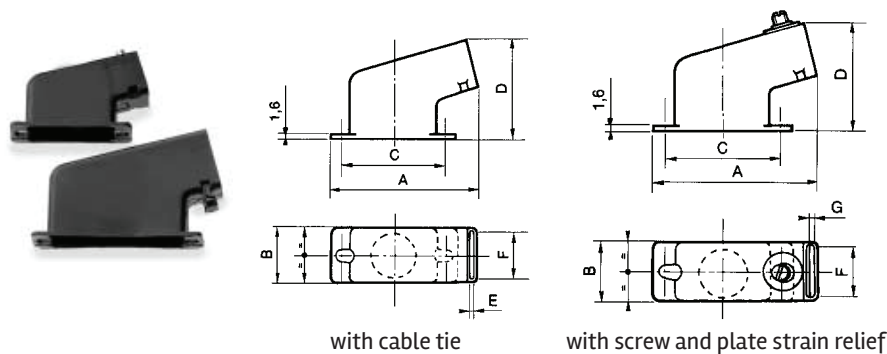
8 • STRAIGHT EXIT



- Material: Self-extinguishing UL rated 94V-0 thermoplastic
- Temperature range : -55°C to +105°C
- Colour: Black

| Shell size | Part Number | | A | B | C | D | E | F | G | | H |
|------------|---------------------|---------------------------|-------|-------|-------|-------|-------|-------|------|-------|-------|
| | Hood with cable tie | Hood with screw and plate | | | | | | | min. | max. | |
| E | 863086BLF | 86303920ALF | 30.60 | 12.50 | 25.00 | 29.00 | 9.90 | 9.90 | 2.70 | 7.10 | 10.50 |
| A | 863021BLF | 86303921ALF | 38.90 | 12.50 | 33.32 | 29.00 | 9.90 | 11.90 | 4.50 | 9.10 | 10.50 |
| B | 863022BLF | 86303922ALF | 52.80 | 12.50 | 47.05 | 35.00 | 9.90 | 16.40 | 9.20 | 13.60 | 10.50 |
| C | 863023BLF | 86303923ALF | 69.10 | 12.50 | 63.50 | 41.00 | 9.90 | 23.40 | 9.20 | 20.60 | 10.50 |
| D | 863024BLF | 86303924ALF | 66.70 | 15.30 | 61.10 | 41.00 | 12.70 | 23.40 | 9.20 | 20.60 | 13.30 |

9 • RIGHT ANGLE EXIT

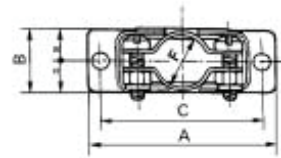
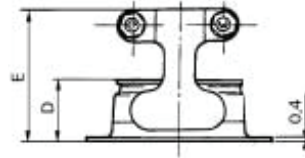
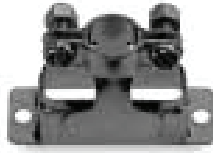


| Shell size | Part Number | | A | B | C | D | E | F | G | |
|------------|---------------------|---------------------------|-------|-------|-------|-------|-------|-------|------|-------|
| | Hood with cable tie | Hood with screw and plate | | | | | | | min. | max. |
| E | 86305002BLF | 86303925ALF | 30.60 | 12.50 | 25.00 | 26.20 | 10.50 | 10.50 | 2.70 | 7.10 |
| A | 863026BLF | 86303926ALF | 38.90 | 12.50 | 33.32 | 28.60 | 12.50 | 10.50 | 4.50 | 9.10 |
| B | 863027BLF | 86303927ALF | 52.80 | 12.50 | 47.05 | 36.40 | 17.00 | 10.50 | 9.20 | 13.60 |
| C | 863028BLF | 86303928ALF | 69.10 | 12.50 | 63.50 | 42.60 | 24.00 | 10.50 | 9.20 | 20.60 |
| D | 863029BLF | 86303929ALF | 66.70 | 15.30 | 61.10 | 41.00 | 24.00 | 13.30 | 9.20 | 20.60 |

HOOD WITH CABLE CLAMPS

10 • METAL HOOD WITH CIRCULAR CLAMP AND STRAIGHT EXIT

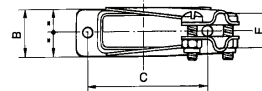
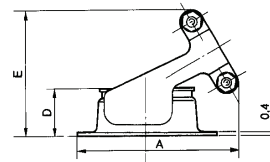
- Material: Steel
- Plating: Yellow chromate cadmium
- Corrosion resistance:
50 hours exposure to salt spray



| Shell size | Part Numbers | A | B | C | D | E | F |
|------------|--------------|-------|-------|-------|-------|-------|-------|
| E | 863010 | 30.55 | 12.70 | 24.99 | 12.30 | 26.40 | 8.00 |
| A | 863011 | 38.89 | 12.70 | 33.32 | 12.30 | 26.40 | 10.00 |
| B | 863012 | 52.78 | 12.70 | 47.04 | 12.30 | 27.20 | 15.00 |
| C | 863013 | 69.06 | 12.70 | 63.50 | 12.30 | 27.20 | 18.00 |
| D | 863014 | 66.67 | 15.40 | 61.17 | 12.30 | 27.20 | 20.60 |

11 • METAL HOOD WITH CIRCULAR CLAMP AND 30° EXIT

- Material: Steel
- Plating: Yellow chromate cadmium
- Corrosion resistance:
50 hours exposure to salt spray



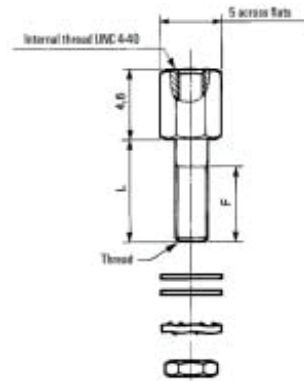
| Shell size | Part Numbers | A | B | C | D | E | F |
|------------|--------------|-------|-------|-------|-------|-------|-------|
| E | 863016 | 39.00 | 12.70 | 24.99 | 12.30 | 30.60 | 8.00 |
| A | 863017 | 43.10 | 12.70 | 33.32 | 12.30 | 32.50 | 10.00 |
| B | 863018 | 55.40 | 12.70 | 47.04 | 12.30 | 34.50 | 15.00 |
| C | 863019 | 75.30 | 12.70 | 63.50 | 12.30 | 37.50 | 18.00 |
| D | 863020 | 72.80 | 15.40 | 61.11 | 12.30 | 37.60 | 20.60 |

► D-SUBMINIATURE ACCESSORIES

12 • FEMALE SCREW LOCKS

| Thread | L.Max | F | Material | Part Numbers |
|----------|-------|-------|----------|--------------|
| M3 | 8.30 | 6.90 | Brass | 863001TLF |
| M3 | 8.30 | 6.90 | Steel | 86552153TLF |
| M3 | 5.00 | 12.50 | Brass | 863001017TLF |
| M3 | 12.00 | 12.50 | Brass | 863001061TLF |
| UNC 4-40 | 8.30 | 6.90 | Brass | 863001060TLF |

- Plating: Bright tin
- Corrosion resistance: 50 hours exposure to salt spray



13 • SPECIFIC FEMALE SCREW LOCKS FOR DELTA D SERIES

| Thread | L.Max | F | Material | Part Numbers |
|----------|-------|-----|----------|--------------|
| M3 | 4.5 | 3.7 | Steel | 863001018TLF |
| UNC 4-40 | 4.5 | 3.7 | Steel | 86552153TLF |

13 • SPECIFIC FEMALE SCREW LOCKS FOR DELTA D SERIES

| Material | Torque Max. (Nm) |
|----------|------------------|
| Brass | 0.5 |
| Steel | 0.7 |

14 • MALE SCREW LOCKS

For use with
connector
without hood
or with hood 7

For use with
connector with
hoods 10

For use with
connector with
hoods 8

| Shell size | Connector Type | Part Numbers | | |
|------------|----------------|--------------|------------|------------|
| E | Male | 863005ATLF | 863004ATLF | 863009ATLF |
| | Female | | | |
| A | Male | 863005ATLF | 863002ATLF | 863025ATLF |
| | Female | | | |
| B | Male | 863005ATLF | 863002ATLF | 863025ATLF |
| | Female | | | |
| C | Male | 863008ATLF | 863002ATLF | 863025ATLF |
| | Female | 863005ATLF | | |
| D | Male | 863015ATLF | 863002ATLF | 863025ATLF |
| | Female | 863003ATLF | | |



- Material: Steel
- Plating: Bright tin
- Corrosion resistance: 50 hours exposure to salt spray
To obtain military plating (yellow chromate cadmium) exclude «TLF» in the part number (ex: 863005A)
- Thread: UNC 4-40

LOCKING DEVICES

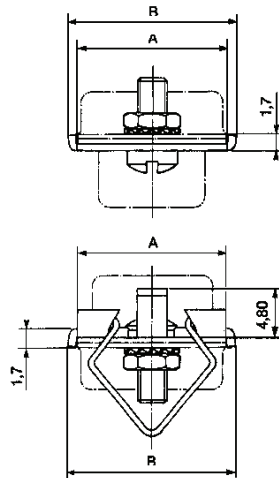
15 • LEVER LOCKS



female



male



| Shell size | A | B | M3 thread | | UNC 4-40 thread | |
|------------|-------|-------|------------|------------|-----------------|------------|
| | | | Female | Male | Female | Male |
| E, A, B, C | 12.50 | 14.30 | 86303425LF | 86552096LF | 86303425060LF | 86552098LF |
| D | 15.30 | 17.10 | 86303426LF | 86552097LF | 86303426060LF | 86552099LF |

- Material: Steel
- Plating: Passivated

16 • SPECIFIC LEVER LOCKS FOR STRAIGHT DELTA D SERIES WITH HARPOONS

| Shell size | M3 thread | | UNC 4-40 thread | |
|------------|------------|--------------|-----------------|--------------|
| | Female | Male | Female | Male |
| E, A, B, C | 86303425LF | 865520961ALF | 86303425060LF | 865520981ALF |
| D | 86303426LF | 865520971ALF | 86303426060LF | 865520991ALF |

CAPS

17 • METAL CAPS

| Shell size | For use with connectors | Part Numbers | |
|------------|-------------------------|--------------|----|
| E | Male | 86553148TLF | 30 |
| | Female | 86553113TLF | 30 |
| | | 86553138TLF* | 30 |
| A | Male | 86553149TLF | 25 |
| | Female | 86553114TLF | 25 |
| | | 86553139TLF* | 25 |
| B | Male | 86553150TLF | 20 |
| | Female | 86553115TLF | 20 |
| | | 86553140TLF* | 20 |
| C | Male | 86553151TLF | 15 |
| | Female | 86553116TLF | 15 |
| | | 86553141TLF* | 15 |
| D | Male | 86553152TLF | 10 |
| | Female | 86553117TLF | 10 |
| | | 86553142TLF* | 10 |



- Material: Steel
- Plating: Bright tin
- Corrosion resistance: To obtain military plating (yellow chromate cadmium) exclude "TLF" in part number (ex : 86553148A)

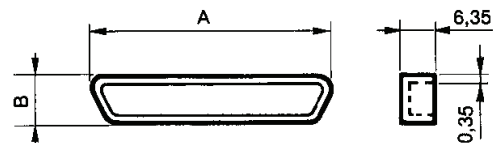
18 • ATTACHING CORD FOR METAL CAPS

86553156LF (Length = 100 mm)

Packaging: Individual



18 • ATTACHING CORD FOR METAL CAPS



| Shell size | For male connector | A | B | For female connector | A | B |
|------------|--------------------|-------|-------|----------------------|-------|-------|
| E | 70518CLF | 19.17 | 10.30 | 70523CLF | 17.77 | 9.0 |
| A | 70519CLF | 27.50 | 10.30 | 70524CLF | 26.10 | 9.0 |
| B | 70520CLF | 41.67 | 10.70 | 70525CLF | 39.82 | 9.0 |
| C | 70521CLF | 58.13 | 10.70 | 70526CLF | 56.28 | 9.0 |
| D | 70522CLF | 55.49 | 13.40 | 70527CLF | 53.89 | 11.85 |

- Material: Thermoplastic
- Color: Red

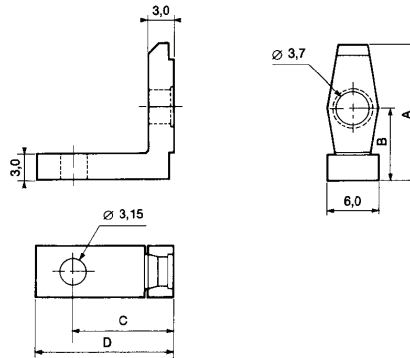
LOCKING DEVICES

Plastic mounting brackets are normally supplied with angled spill D-Sub connectors series D, DP, DM and DMW. However, both plastic and metal brackets can be ordered separately, using the part numbers listed below. These brackets are supplied with a screw and a nut. Order two assemblies for each connector.

20 • PLASTIC BRACKETS

| Shell size | Part Numbers | A | B | C | D |
|------------|--------------|-------|------|-------|-------|
| E, A, B, C | 86303714LF | 13.20 | 7.20 | 10.74 | 13.90 |
| D | 86303715LF | 16.00 | 8.60 | 12.09 | 16.50 |

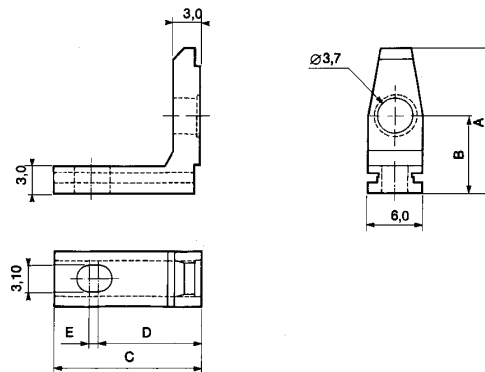
- Material: UL rated 94V0 thermoplastic



21 • PLASTIC BRACKETS WITH OBLONG MOUNTING HOLE TO PCB

| Shell size | Part Numbers | A | B | C | D | E |
|------------|--------------|-------|------|-------|-------|-----|
| E, A, B, C | 86303612LF | 13.20 | 7.40 | 13.60 | 10.50 | 0.8 |
| D | 86303613LF | 16.15 | 8.80 | 16.50 | 11.60 | 1.0 |

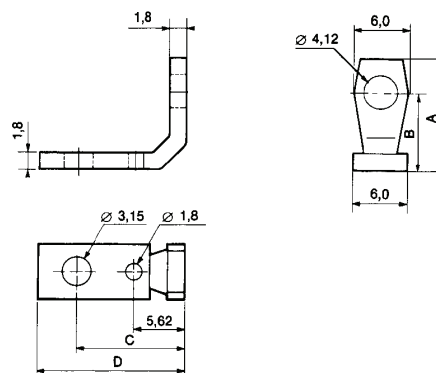
- Material: UL rated 94V0 thermoplastic



22 • METAL BRACKETS

| Shell size | Part Numbers | A | B | C | D |
|------------|--------------|-------|------|-------|-------|
| E, A, B, C | 86552008 | 10.55 | 7.20 | 10.74 | 13.90 |
| D | 86552009 | 12.55 | 8.60 | 12.09 | 16.50 |

- Material: Steel
- Plating: Yellow chromate cadmium



INODSUBACC0813EA4