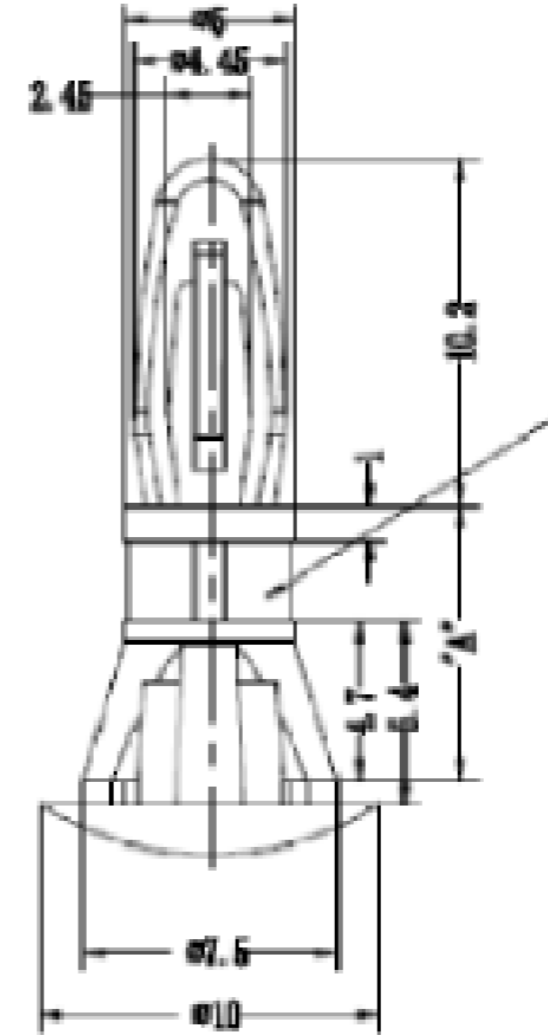
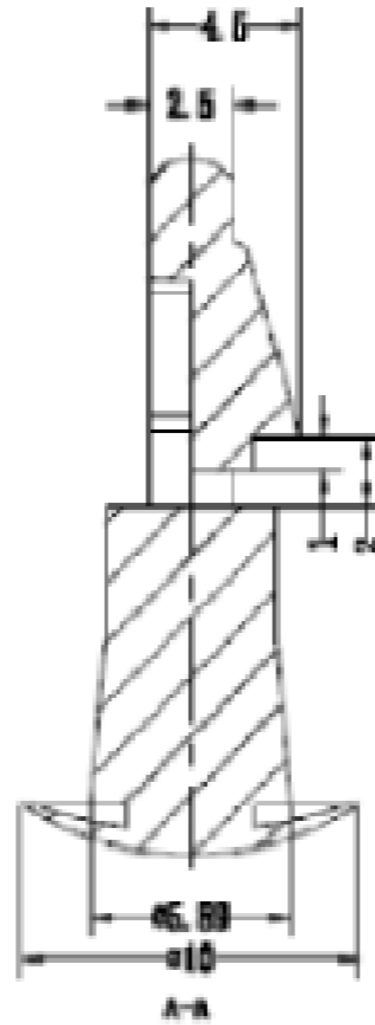
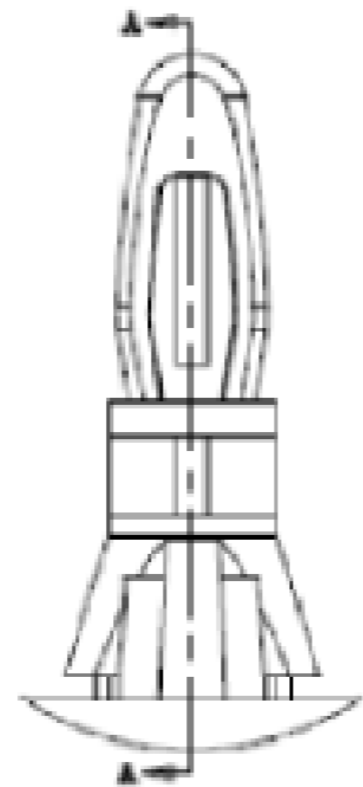
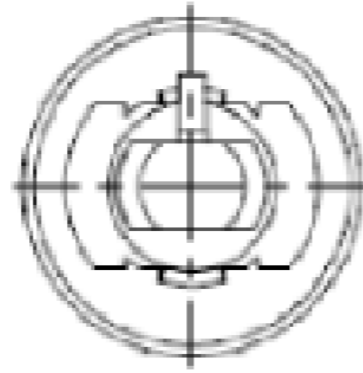


DEBUR AND BREAK SHARP EDGES

DO NOT SCALE DRAWING

REVISION



TR PART No.	"A"
TRCRLCBSR-3-01	4.8
TRCRLCBSR-4-01	6.4
TRCRLCBSR-5-01	7.9
TRCRLCBSR-6-01	9.5
TRCRLCBSR-8-01	12.7
TRCRLCBSR-12-01	19.1

B DRG No. CHANGED
M.E. 17/06/14
A DRAWN 01/11/13

NOTES

- MATERIAL: NYLON 66 UL-94V2;
- COLOR: NATURAL;
- ROHS Compliant;
- TOP Hole: $\varnothing 4.0 \pm 0.08\text{mm}$
Panel Thickness: 1.6mm.
- Bottom Hole: $\varnothing 6.0 \pm 0.08\text{mm}$
Panel Thickness: 0.8-1.2mm.



DESIGN RIGHT. TR FASTENINGS LTD, 2003
UNDER NO CIRCUMSTANCES MUST THIS
DRAWING BE COPIED OR DISCLOSED,
WITHOUT FIRST OBTAINING WRITTEN
AUTHORITY.

UNLESS OTHERWISE SPECIFIED:
DIMENSIONS ARE IN MILLIMETERS
SURFACE FINISH:
TOLERANCES:

ISO 2768 m	
NAME	DATE
DRAWN MARTIN ELLIOTT	01/11/13
CHK'D	
APPV'D	

CUSTOMER PART No

MATERIAL:

SEE NOTES

HEAT TREATMENT

N/A

FINISH:

N/A

TITLE:

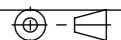
CUPPED REVERSE LOCKING
CIRCUIT BOARD SUPPORT

DWG NO.

TRCRLCBSR-X-01

A3

PROJECTION



SHEET 1 OF 1