

KSU Series Micro Mini Surface Mount Detect Switches



Features/Benefits

- New multi contact construction
- Metal actuator
- Low actuating force
- Gold contacts
- Compatible with pick and place machines
- RoHS compliant and compatible

Typical Applications

- Mobile phones and other handheld devices
- Portable medical devices
- Audio devices
- Automotive
- Alarm devices
- Payment terminals

Specifications

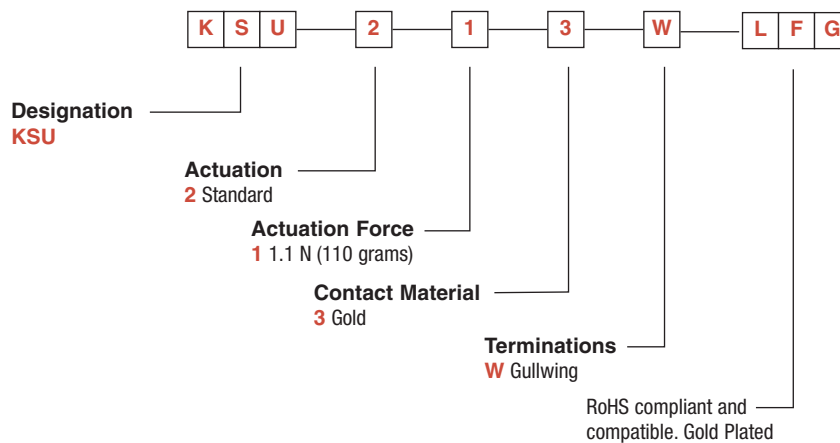
FUNCTION: Momentary action.
 CONTACT TYPE: SPST Normally open.
 TERMINALS: 4 SMT terminals.
 MAXIMUM POWER: 0.2 VA
 MIN./MAX. VOLTAGE: 20 mV – 32 VDC.
 MIN./MAX. CURRENT: .01 mA – 0.01 A.
 LOW LEVEL USE: 20 mV – 0.01 mA.
 DIELECTRIC STRENGTH: ≥ 250 Vrms.
 CONTACT RESISTANCE: ≤ 100 m Ω .
 INSULATION RESISTANCE: (100 VDC) 10^9 Ω .
 BOUNCE TIME: < 3 ms.

ACTUATING FORCE: 1,1 N $\pm 0,8$ N
 TRAVEL TO MAKE: 0,65 mm - 0,45/+0,25 mm
 MAXIMUM FORCE at max travel: 1,8 N
 OPERATING TEMPERATURE: -40°C to +125°C.
 MECHANICAL & ELECTRICAL LIFE: 100,000 cycles.
 SOLDERABILITY: Infrared reflow. Compatible with lead free soldering process.
 PACKAGING: Delivered on tape & reel of 1000 pieces. The reel diameter is 330mm (12.992). The tape dimensions conform to the EIA-481 and EC-286-3 norms.
 STORAGE TEMPERATURE: -55°C to + 125°C.

NOTE: Specifications listed above are for switches with standard options.
 For information on specific and custom switches, consult Customer Service Center.

Build-A-Switch

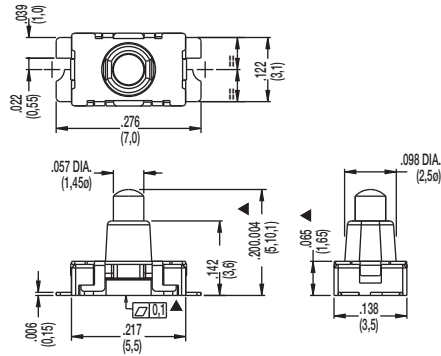
To order, simply select desired option from each category and place in the appropriate box. Available options are shown and described on page F-5. For additional options not shown in catalog, consult our Customer Service Center.



KSU Series Micro Mini Surface Mount Detect Switches

DESIGNATION

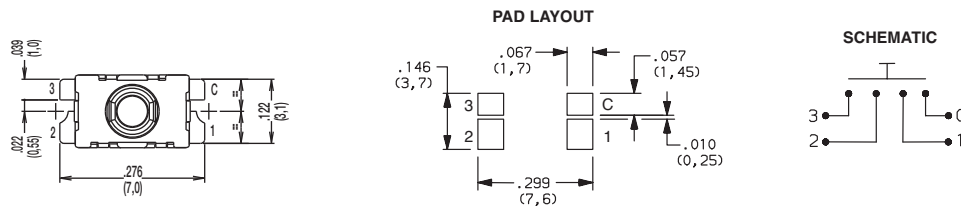
KSU



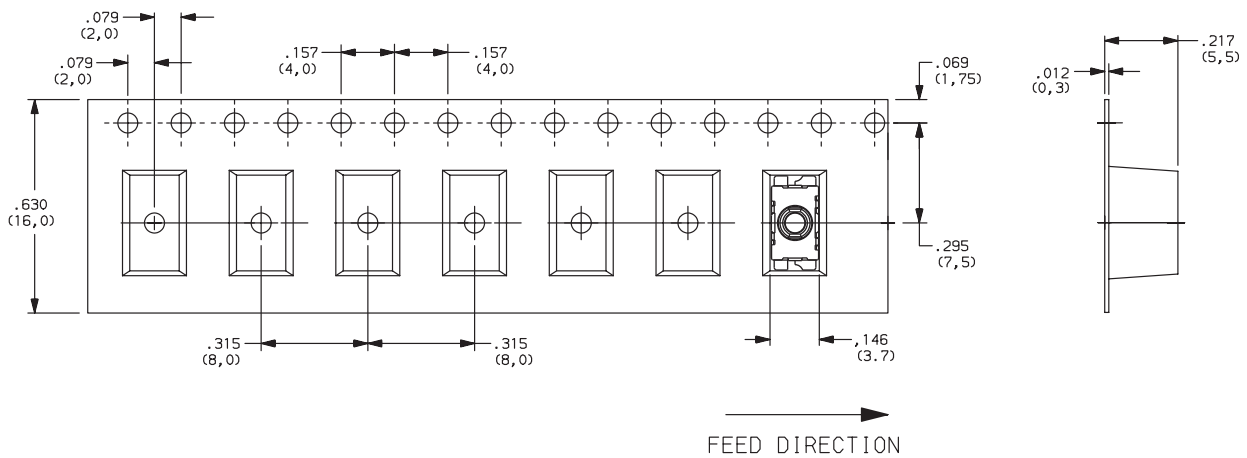
**KSU213W
SPST**

TERMINATION

W GULLWING



TAPE & REEL



Detect



Dimensions are shown: Inches (mm)
Specifications and dimensions subject to change