

Flush-type connector - SACC-DSI-MS-17CON-M12 SCO - 1559974

Please be informed that the data shown in this PDF Document is generated from our Online Catalog. Please find the complete data in the user's documentation. Our General Terms of Use for Downloads are valid (<http://phoenixcontact.com/download>)




Sensor/actuator flush-type connector, plug, 17-pos., M12 SPEEDCON, A-coded, rear/screw mounting with M12 thread, with straight solder pins

Why buy this product



Key commercial data

| | |
|--------------------------------------|---|
| Packing unit | 20 pc |
| Minimum order quantity | 20 pc |
| GTIN |  4 046356 322683 |
| Weight per Piece (excluding packing) | 9.62 g |
| Custom tariff number | 85366990 |
| Country of origin | Germany |
| Product key | ABQCAA |
| Note | Made to Order (non-returnable) |

Technical data

Dimensions

| | |
|--------------------------|------|
| Length of the solder pin | 6 mm |
|--------------------------|------|

Ambient conditions

| | |
|---------------------------------|---|
| Ambient temperature (operation) | -25 °C ... 85 °C (Plug / socket) |
| | -40 °C ... 85 °C (without mechanical actuation) |
| Degree of protection | IP67 |

General

| | |
|------|--|
| Note | The electrical and mechanical data specified assume that the connector pair is correctly locked and mounted. If the connector is unlocked and if there is a danger of contamination, the connector must be sealed using a protective cap > IP54. Influences arising from litz wires, cables or PCB assembly must also be taken into consideration. |
|------|--|

Flush-type connector - SACC-DSI-MS-17CON-M12 SCO - 1559974

Technical data

General

| | |
|-----------------------------|-------------------------------------|
| Rated current at 40°C | 1.5 A |
| Rated voltage | 30 V |
| Rated surge voltage | 0.8 kV |
| Number of positions | 17 |
| Contact resistance | ≤ 3 mΩ |
| Insulation resistance | ≥ 100 MΩ |
| Coding | A - standard |
| Standards/regulations | M12 connector IEC 61076-2-101 |
| Status display | No |
| Surge voltage category | II |
| Pollution degree | 3 |
| Connection method | Solder pins |
| Insertion/withdrawal cycles | > 100 |
| Torque | 3 Nm ... 4 Nm (Installation-side) |
| Mounting type | Rear mounting M12 x 1 With flat nut |

Material

| | |
|---|------------------------------|
| Inflammability class according to UL 94 | V0 |
| Contact material | CuZn |
| Contact surface material | Au |
| Contact carrier material | PA 66 |
| Material, knurls | Zinc die-cast, nickel-plated |
| Sealing material | NBR |

Cable

| | |
|---------------------------------|---|
| Ambient temperature (operation) | -40 °C ... 85 °C (cable, fixed installation) |
| | -25 °C ... 85 °C (cable, flexible installation) |

Classifications

eCl@ss

| | |
|------------|----------|
| eCl@ss 4.0 | 27250313 |
| eCl@ss 4.1 | 27250313 |
| eCl@ss 5.0 | 27143423 |
| eCl@ss 5.1 | 27143423 |
| eCl@ss 6.0 | 27143423 |
| eCl@ss 7.0 | 27449001 |
| eCl@ss 8.0 | 27440103 |

ETIM

| | |
|----------|----------|
| ETIM 3.0 | EC002061 |
| ETIM 4.0 | EC002062 |

Flush-type connector - SACC-DSI-MS-17CON-M12 SCO - 1559974

Classifications

ETIM

| | |
|----------|----------|
| ETIM 5.0 | EC002061 |
|----------|----------|

UNSPSC

| | |
|---------------|----------|
| UNSPSC 6.01 | 31251501 |
| UNSPSC 7.0901 | 31251501 |
| UNSPSC 11 | 31251501 |
| UNSPSC 12.01 | 31251501 |
| UNSPSC 13.2 | 31251501 |

Approvals

Approvals

Approvals

EAC / cULus Recognized

Ex Approvals

Approvals submitted

Approval details

| |
|-----|
| EAC |
|-----|

| | |
|--------------------------------|-------|
| cULus Recognized | |
| mm ² /AWG/kcmil | 26 |
| Nominal current I _N | 1.5 A |
| Nominal voltage U _N | 30 V |

Accessories

Accessories

Protective cap

Flush-type connector - SACC-DSI-MS-17CON-M12 SCO - 1559974

Accessories

Sealing cap - PROT-M12 FS - 1560251



M12 sealing cap for unoccupied M12 plugs of the sensor/actuator cable, flush-type plugs and I/O devices in the field

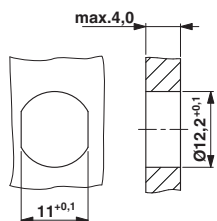
Sealing cap - PROT-M12 FS-M - 1430488



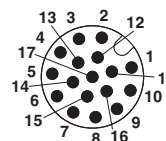
M12 metal sealing cap for unoccupied M12 plugs of the sensor/actuator cable, flush-type plugs and I/O devices in the field

Drawings

Dimensional drawing



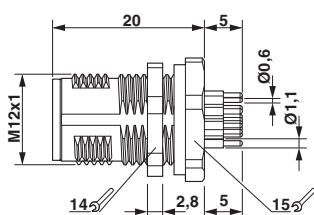
Schematic diagram



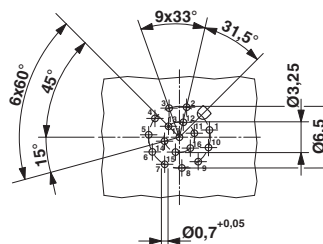
Pin assignment M12 male connector, 17-pos., male side view

Panel cutout

Dimensional drawing



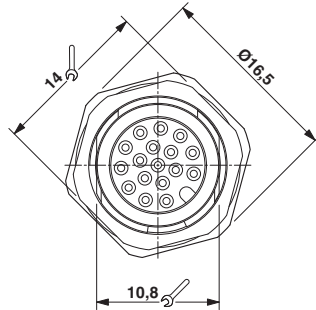
Drilling diagram



M12 flush-type connector

Flush-type connector - SACC-DSI-MS-17CON-M12 SCO - 1559974

Dimensional drawing



Front view of M12 flush-type connector