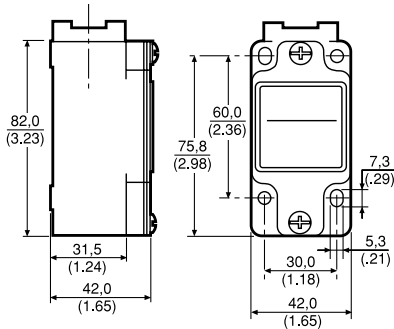


# GLA EN 50041

## Standard metal body

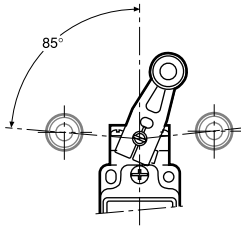


**Mechanical life:** up to 15 million  
**Sealing:** IP 67, NEMA 1, 4, 12, 13  
**Operating temperature:** -25 °C to 85 °C (-13 °F to 185 °F)  
**Approvals:** IEC/EN 60947-5-1  
 AC15 A300/A600  
 DC13 Q300  
 UL, CSA, CE

**Switching options:**  
 SPDT Single Pole, Double Throw  
 Snap action contacts (1NC/1NO)  
 DPDT Double Pole, Double Throw  
 Snap action contacts (2NC/2NO)

### HEAD OPTIONS

#### Side rotary



#### No lever

**Levers:** Levers for side rotary types are ordered separately (see pages 71-73 for details)

CONTACT	CONDUIT	REFERENCE
SPDT	½ in NPT	GLAA01A
DPDT	½ in NPT	GLAA20A
SPDT	PG 13,5	GLAB01A

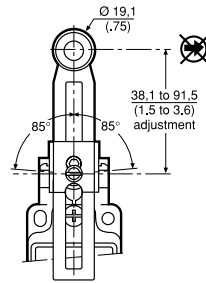
#### Plastic roller

CONTACT	CONDUIT	REFERENCE
SPDT	½ in NPT	GLAA01A1A
DPDT	½ in NPT	GLAA20A1A
SPDT	PG 13,5	GLAB01A1A
DPDT	PG 13,5	GLAB20A1A
SPDT	20 mm	GLAC01A1A
DPDT	20 mm	GLAC20A1A

#### Metal roller

CONTACT	CONDUIT	REFERENCE
SPDT	½ in NPT	GLAA01A1B
DPDT	½ in NPT	GLAA20A1B
SPDT	PG 13,5	GLAB01A1B
DPDT	PG 13,5	GLAB20A1B
SPDT	20 mm	GLAC01A1B
DPDT	20 mm	GLAC20A1B

#### Side rotary adjustable roller



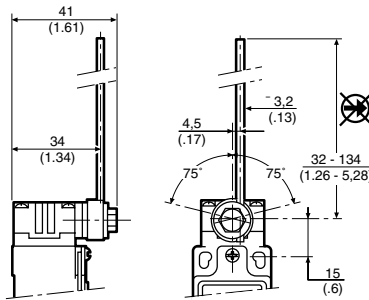
#### Plastic roller

CONTACT	CONDUIT	REFERENCE
SPDT	½ in NPT	GLAA01A2A
DPDT	½ in NPT	GLAA20A2A
SPDT	PG 13,5	GLAB01A2A
DPDT	PG 13,5	GLAB20A2A
SPDT	20 mm	GLAC01A2A

#### Metal roller

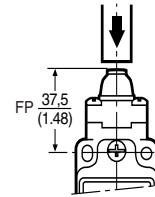
CONTACT	CONDUIT	REFERENCE
SPDT	½ in NPT	GLAA01A2B
DPDT	½ in NPT	GLAA20A2B
SPDT	PG 13,5	GLAB01A2B
DPDT	PG 13,5	GLAB20A2B
SPDT	20 mm	GLAC01A2B
DPDT	20 mm	GLAC20A2B

#### Side rotary adjustable metal rod



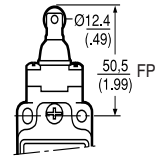
CONTACT	CONDUIT	REFERENCE
SPDT	½ in NPT	GLAA01A4J
DPDT	½ in NPT	GLAA20A4J
SPDT	PG 13,5	GLAB01A4J
DPDT	PG 13,5	GLAB20A4J
SPDT	20 mm	GLAC01A4J

#### Top pin plunger



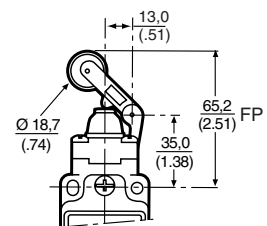
CONTACT	CONDUIT	REFERENCE
SPDT	½ in NPT	GLAA01B
DPDT	½ in NPT	GLAA20B
SPDT	PG 13,5	GLAB01B
DPDT	PG 13,5	GLAB20B
SPDT	20 mm	GLAC01B
DPDT	20 mm	GLAC20B

#### Top roller plunger



CONTACT	CONDUIT	REFERENCE
SPDT	½ in NPT	GLAA01C
DPDT	½ in NPT	GLAA20C
SPDT	PG 13,5	GLAB01C
DPDT	PG 13,5	GLAB20C
SPDT	20 mm	GLAC01C
DPDT	20 mm	GLAC20C

#### Top roller lever



CONTACT	CONDUIT	REFERENCE
SPDT	½ in NPT	GLAA01D
DPDT	½ in NPT	GLAA20D
SPDT	PG 13,5	GLAB01D
DPDT	PG 13,5	GLAB20D
SPDT	20 mm	GLAC01D
DPDT	20 mm	GLAC20D