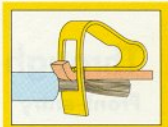


# Through Terminal Blocks

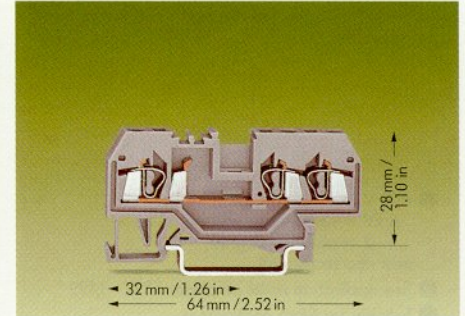
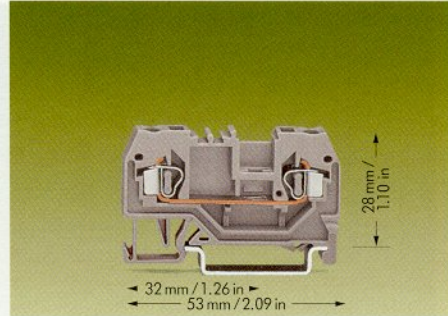
Front-entry

CAGE CLAMP®



	<p><b>0.08 – 2.5 mm<sup>2</sup></b>  <b>800 V/8 kV/3 ①</b>  <b>24 A</b></p> <p><b>Terminal block width 5 mm / 0.197 in</b>  <b>8 – 9 mm / 0.33 in</b></p> <p><small>* </small></p>	<p><b>AWG 28 – 12</b>  <b>600 V, 20 A </b>  <b>600 V, 25 A </b></p> <p><b>0.08 – 2.5 mm<sup>2</sup></b>  <b>800 V/8 kV/3 ①</b>  <b>24 A</b></p> <p><b>Terminal block width 5 mm / 0.197 in</b>  <b>8 – 9 mm / 0.33 in</b></p> <p><small>* </small></p>
--	--	--

- ① 800 V = rated voltage  
 8 kV = rated surge voltage  
 3 = pollution degree  
 (see also section 10)
- ② See application notes on pages 1.197 – 1.199
- ③ Suitable for EEx i applications



Description	Item-No.	Item-No.	Pack.-unit pcs	Item-No.	Item-No.	Pack.-unit pcs	
<b>Through terminal block, for DIN 35 rail</b>	<b>2-conductor through terminal blocks</b>			<b>3-conductor through terminal blocks</b>			
	grey <b>280-901</b>	red <b>280-903</b>	100	grey <b>280-681</b>	red <b>280-653</b>	100	
	blue <b>280-904</b> ①	black <b>280-905</b>	100	blue <b>280-684</b> ①	black <b>280-671</b>	100	
	orange <b>280-902</b>	yellow <b>280-906</b>	100	orange <b>280-650</b>	yellow <b>280-672</b>	100	
<b>Spacer of same shape</b>	orange <b>280-902/056-000</b>		100	orange <b>280-650/056-000</b>		100	
<b>Accessories</b> (see also section 8)	Appropriate marking system <b>WMB/WSB/WFB</b>			Appropriate marking system <b>WMB/WSB/WFB</b>			
	<b>End and intermediate plate</b>	orange grey		orange grey			
	2.5 mm/0.098 in thick	<b>280-309</b> <b>280-308</b>	100 (4 x 25)	2.5 mm/0.098 in thick	<b>280-326</b> <b>280-324</b>	100 (4 x 25)	
	Separator, oversized	2 mm/0.079 in thick	<b>280-311</b> <b>280-310</b>	100 (4 x 25)	2 mm/0.079 in thick	<b>280-346</b> <b>280-344</b>	100 (4 x 25)
	<b>Insulation stop</b> ②, white	0.08 – 0.2 mm <sup>2</sup> ②	<b>280-470</b>	200 strips	0.08 – 0.2 mm <sup>2</sup> ②	<b>280-470</b>	200 strips
	5 pcs/strip light grey	0.25 – 0.5 mm <sup>2</sup>	<b>280-471</b>	200 strips	0.25 – 0.5 mm <sup>2</sup>	<b>280-471</b>	200 strips
	dark grey	0.75 – 1 mm <sup>2</sup>	<b>280-472</b>	200 strips	0.75 – 1 mm <sup>2</sup>	<b>280-472</b>	200 strips
	<b>Adjacent jumper, insulated</b>	I <sub>N</sub> 24 A	grey <b>280-402</b>	200 (8 x 25)	I <sub>N</sub> 24 A	grey <b>280-402</b>	200 (8 x 25)
			yellow-green <b>280-422</b>	200 (8 x 25)		yellow-green <b>280-422</b>	200 (8 x 25)
	<b>Alternate jumper, insulated</b>	I <sub>N</sub> 24 A	grey <b>280-409</b>	100 (4 x 25)	I <sub>N</sub> 24 A	grey <b>280-409</b>	100 (4 x 25)
	<b>Staggered jumper</b> ②, from 1 to 2	I <sub>N</sub> 24 A	<b>780-452</b>	100 (4 x 25)	I <sub>N</sub> 24 A	<b>780-452</b>	100 (4 x 25)
	insulated, from 1 to 3		<b>780-453</b>	100 (4 x 25)		<b>780-453</b>	100 (4 x 25)
	width 5 mm/0.197 in from 1 to 4		<b>780-454</b>	100 (4 x 25)		<b>780-454</b>	100 (4 x 25)
	from 1 to 5		<b>780-455</b>	50 (2 x 25)		<b>780-455</b>	50 (2 x 25)
	:		:			:	
	from 1 to 8		<b>780-458</b>	50 (2 x 25)		<b>780-458</b>	50 (2 x 25)
	<b>Push-in type wire jumper</b> ②, insulated, 9 A – conductor	L = 60 mm/2.362 in	<b>249-125</b>	10	L = 60 mm/2.362 in	<b>249-125</b>	10
	cross section 0.75 mm <sup>2</sup> /AWG 18	L = 110 mm/4.331 in	<b>249-126</b>	10	L = 110 mm/4.331 in	<b>249-126</b>	10
		L = 250 mm/9.843 in	<b>249-127</b>	10	L = 250 mm/9.843 in	<b>249-127</b>	10
	<b>Protective warning marker, for 5 terminal blocks, fits into screwdriver slot</b>	yellow	<b>280-415</b>	100 (4 x 25)	yellow	<b>280-415</b>	100 (4 x 25)
	<b>Modular test plug adapter, can be assembled into strips – use spacers over jumpered positions</b>	Item-Nos and application notes see pages 1.194 – 1.196			Item-Nos and application notes see pages 1.194 – 1.196		
	<b>Test plug adapter, suitable for terminal blocks 1.5 mm<sup>2</sup> – 4 mm<sup>2</sup>/AWG 16–12</b>	5 mm/0.197 in wide	<b>280-404</b>	100 (4 x 25)	5 mm/0.197 in wide	<b>280-404</b>	100 (4 x 25)
	for test plug 210-137 (2.3 mm/0.091 in Ø)				for test plug 210-137 (2.3 mm/0.091 in Ø)		
	<b>Test plug adapter, suitable for terminal blocks 1.5 mm<sup>2</sup> – 10 mm<sup>2</sup>/AWG 16–8</b>	8 mm/0.315 in wide	<b>209-170</b>	50 (2 x 25)	8 mm/0.315 in wide	<b>209-170</b>	50 (2 x 25)
	for test plug 4 mm/0.157 in Ø				for test plug 4 mm/0.157 in Ø		
	<b>Test plug, 6 mm/0.236 in wide, with CAGE CLAMP® for 0.08 mm<sup>2</sup> – 2.5 mm<sup>2</sup>/AWG 28–14</b>	I <sub>N</sub> 24 A	<b>281-407</b>	100 (4 x 25)	I <sub>N</sub> 24 A	<b>281-407</b>	100 (4 x 25)
	<b>Other terminal blocks with the same shape</b>	gr. (earth) cond. <b>280-907</b>	page 1.49	gr. (earth) cond. <b>280-687</b>	page 1.49		
	disconnect <b>280-912</b>	page 1.118		disconnect <b>280-683</b>	page 1.118		
	carrier term. block <b>280-916</b>	page 1.141		carrier term. block <b>280-610</b>	page 1.141		
	diode <b>280-915/...-...</b>	page 1.174		diode <b>280-673/...-...</b>	page 1.174		

\* For further approvals with corresponding ratings see pages 10.3 ff.