


CAMBLOCK

5.08mm Pitch Pluggable Rising Clamp Terminal

PCB
TERMINAL
BLOCKS

- 2-24 pole solid block
- Pluggable male-female connectors
- Open & closed headers
- Horizontal & vertical female plug styles
- Polarised mouldings
- Moulded in green UL94-V0 flame retardant PA
- Professional rising clamp terminals
- 0.2-2.5mm² (24-12AWG) solid & stranded cable
- Captive screws
- Guided pin alignment
-  approved

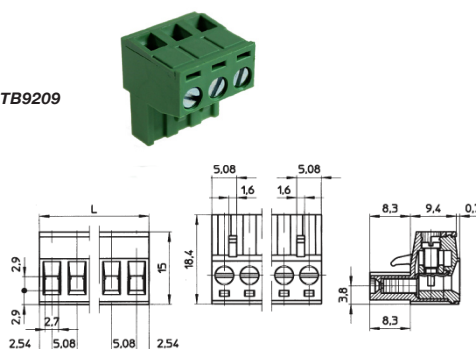
SPECIFICATION

Rating	12A/320V
Dielectric strength	≥2.5kV
Impulse withstand voltage	4kV
Working temperature	110°C
Moulding	UL94-V0 flame retardant PA
Pin/terminal	Tinned brass
Rising clamp	Nickel copper flash brass
Screw/torque	M3 steel zinc plated, 0.5Nm
Recommended PCB hole size	ø1.4mm

Female connector

TYPE NO.	POLES	LENGTH	TYPE NO.	POLES	LENGTH
CTB9209/2	2	10.2mm	CTB9209/14	14	71.1mm
CTB9209/3	3	15.2mm	CTB9209/15	15	76.2mm
CTB9209/4	4	20.3mm	CTB9209/16	16	81.3mm
CTB9209/5	5	25.4mm	CTB9209/17	17	86.4mm
CTB9209/6	6	30.5mm	CTB9209/18	18	91.4mm
CTB9209/7	7	35.6mm	CTB9209/19	19	96.5mm
CTB9209/8	8	40.6mm	CTB9209/20	20	101.6mm
CTB9209/9	9	45.7mm	CTB9209/21	21	106.7mm
CTB9209/10	10	50.8mm	CTB9209/22	22	111.8mm
CTB9209/11	11	55.9mm	CTB9209/23	23	116.8mm
CTB9209/12	12	61mm	CTB9209/24	24	121.9mm
CTB9209/13	13	66mm			

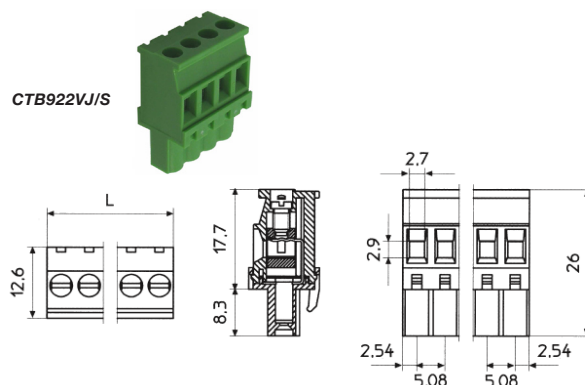
CTB9209



Female connector vertical (standard)

TYPE NO.	POLES	LENGTH	TYPE NO.	POLES	LENGTH
CTB922VJ/2S	2	10.2mm	CTB922VJ/14S	14	71.1mm
CTB922VJ/3S	3	15.2mm	CTB922VJ/15S	15	76.2mm
CTB922VJ/4S	4	20.3mm	CTB922VJ/16S	16	81.3mm
CTB922VJ/5S	5	25.4mm	CTB922VJ/17S	17	86.4mm
CTB922VJ/6S	6	30.5mm	CTB922VJ/18S	18	91.4mm
CTB922VJ/7S	7	35.6mm	CTB922VJ/19S	19	96.5mm
CTB922VJ/8S	8	40.6mm	CTB922VJ/20S	20	101.6mm
CTB922VJ/9S	9	45.7mm	CTB922VJ/21S	21	106.7mm
CTB922VJ/10S	10	50.8mm	CTB922VJ/22S	22	111.8mm
CTB922VJ/11S	11	55.9mm	CTB922VJ/23S	23	116.8mm
CTB922VJ/12S	12	61mm	CTB922VJ/24S	24	121.9mm
CTB922VJ/13S	13	66mm			

CTB922VJ/S



Female connector vertical (reversed)

TYPE NO.	POLES	LENGTH	TYPE NO.	POLES	LENGTH
CTB922VJ/2R	2	10.2mm	CTB922VJ/14R	14	71.1mm
CTB922VJ/3R	3	15.2mm	CTB922VJ/15R	15	76.2mm
CTB922VJ/4R	4	20.3mm	CTB922VJ/16R	16	81.3mm
CTB922VJ/5R	5	25.4mm	CTB922VJ/17R	17	86.4mm
CTB922VJ/6R	6	30.5mm	CTB922VJ/18R	18	91.4mm
CTB922VJ/7R	7	35.6mm	CTB922VJ/19R	19	96.5mm
CTB922VJ/8R	8	40.6mm	CTB922VJ/20R	20	101.6mm
CTB922VJ/9R	9	45.7mm	CTB922VJ/21R	21	106.7mm
CTB922VJ/10R	10	50.8mm	CTB922VJ/22R	22	111.8mm
CTB922VJ/11R	11	55.9mm	CTB922VJ/23R	23	116.8mm
CTB922VJ/12R	12	61mm	CTB922VJ/24R	24	121.9mm
CTB922VJ/13R	13	66mm			

CTB922VJ/R

