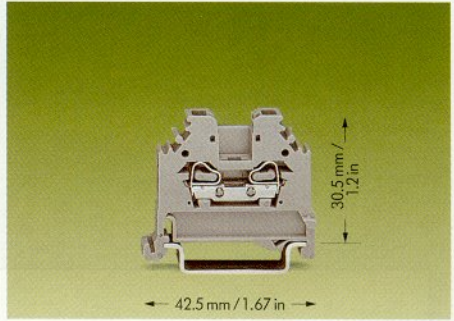
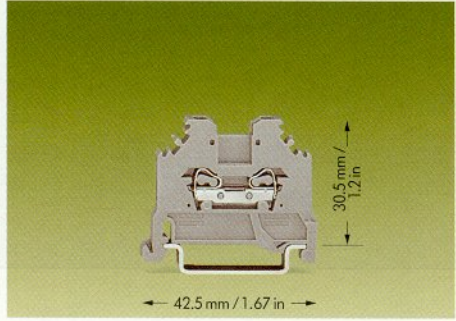


# 1 Through Terminal Blocks

Side-entry

0.08 – 1.5 mm<sup>2</sup> | AWG 28 – 16  
 800 V/8 kV/3 ① | 600 V, 10 A   
 18 A | 600 V, 10 A   
 Terminal block width 4 mm / 0.157 in  
 8 – 9 mm / 0.33 in  
 \*

0.08 – 2.5 mm<sup>2</sup> | AWG 28 – 12  
 800 V/8 kV/3 ① | 600 V, 20 A   
 24 A | 600 V, 20 A   
 Terminal block width 5 mm / 0.197 in  
 8 – 9 mm / 0.33 in  
 \*



- ① 800 V = rated voltage  
 8 kV = rated surge voltage  
 3 = pollution degree  
 (see also section 10)
- ② See application notes on page 1.111
- ① Suitable for EEx i-applications

Description	Item-No.	Pack.-unit pcs	Item-No.	Pack.-unit pcs
<b>Through terminal block, for DIN 35 rail</b>	<b>2-conductor through terminal blocks</b>		<b>2-conductor through terminal blocks</b>	
grey	<b>279-101</b>	100	grey	<b>280-101</b>
blue	<b>279-104 ①</b>	100	blue	<b>280-104 ①</b>
<b>Accessories (see also section 8)</b>	Appropriate marking system <b>WSB</b>		Appropriate marking system <b>WMB/WSB</b>	
<b>End and intermediate plate</b>	2.5 mm / 0.098 in thick		2.5 mm / 0.098 in thick	
orange	<b>280-302</b>	100 (4 x 25)	orange	<b>280-302</b>
grey	<b>280-301</b>	100 (4 x 25)	grey	<b>280-301</b>
<b>Separator plate, oversized</b>	2 mm / 0.079 in thick		2 mm / 0.079 in thick	
orange	<b>280-322</b>	100 (4 x 25)	orange	<b>280-322</b>
grey	<b>280-332</b>	100 (4 x 25)	grey	<b>280-332</b>
<b>Screwless end stop, for DIN 35 rail</b>	6 mm / 0.236 in wide <b>249-116</b>	100 (4 x 25)	6 mm / 0.236 in wide <b>249-116</b>	100 (4 x 25)
	10 mm / 0.394 in wide <b>249-117</b>	50 (2 x 25)	10 mm / 0.394 in wide <b>249-117</b>	50 (2 x 25)
<b>Adjacent jumper, insulated</b>	I <sub>N</sub> 15 A		I <sub>N</sub> 24 A	
grey	<b>279-402</b>	200 (8 x 25)	grey	<b>280-402</b>
yellow-green	<b>279-422</b>	200 (8 x 25)	yellow-green	<b>280-422</b>
<b>Alternate jumper, insulated</b>	I <sub>N</sub> 15 A		I <sub>N</sub> 24 A	
grey	<b>279-409</b>	100 (4 x 25)	grey	<b>280-409</b>
<b>Test plug adapter, suitable for terminal blocks 1.5 mm<sup>2</sup> – 4 mm<sup>2</sup>/AWG 16 – 12</b>	5 mm / 0.197 in wide <b>280-404</b>	100 (4 x 25)	5 mm / 0.197 in wide <b>280-404</b>	100 (4 x 25)
	for test plug 210-137 (2.3 mm / 0.091 in Ø)		for test plug 210-137 (2.3 mm / 0.091 in Ø)	
<b>Test plug adapter, suitable for terminal blocks 1.5 mm<sup>2</sup> – 10 mm<sup>2</sup>/AWG 16 – 8</b>	8 mm / 0.315 in wide <b>209-170</b>	50 (2 x 25)	8 mm / 0.315 in wide <b>209-170</b>	50 (2 x 25)
	for test plug 4 mm / 0.157 in Ø		for test plug 4 mm / 0.157 in Ø	
<b>Test plug, 6 mm / 0.236 in wide, with CAGE CLAMP® for 0.08 mm<sup>2</sup> – 2.5 mm<sup>2</sup>/AWG 28 – 14</b>			I <sub>N</sub> 24 A <b>281-407</b>	100 (4 x 25)
<b>Protective warning marker, for 5 terminal blocks, fits into screwdriver slot</b>	yellow <b>279-405</b>	100 (4 x 25)	yellow <b>280-405</b>	100 (4 x 25)
<b>Step-down jumper ②, insulated, 10/6 mm<sup>2</sup> to 4/2.5/1.5 mm<sup>2</sup> 10/6 mm<sup>2</sup> to 6/4 mm<sup>2</sup></b>				
<b>Cover plate ②, for terminal blocks 10 mm<sup>2</sup>/AWG 8 and 6 mm<sup>2</sup>/AWG 10 only</b>				
<b>Intermediate plate ②, for terminal blocks 4/2.5/1.5 mm<sup>2</sup>/AWG 12/14/16 only</b>	1 mm / 0.039 in thick		1 mm / 0.039 in thick	
grey	<b>281-333</b>	100 (4 x 25)	grey	<b>281-333</b>
orange	<b>281-336</b>	100 (4 x 25)	orange	<b>281-336</b>
<b>Ground (earth) conductor terminal block with the same shape</b>			green-yellow <b>280-107</b>	page 1.112

\* For further approvals with corresponding ratings see pages 10.3 ff.