

# Point of Use TVSS Protection

Point-of-use surge suppression products are the most cost-effective means of protecting valuable electrical and electronic equipment. Surge suppression at the point of entrance guards against transients generated externally. Surge suppression at the branch circuit panel board

protects against surges generated on other branch circuits, but not against surges originating on the same circuit. To complete your protective network, look to Hubbell's complete line of SpikeShield point-of-use products—from permanently wired duplex and 4-Plex® receptacles to portable strips.





## SURGE SUPPRESSION RECEPTACLES

Hubbell has the broadest offering of TVSS receptacles in the industry with technology that is unsurpassed. Inside Hubbell TVSS receptacles are matched pairs of four 18mm MOVs (two discs per package) providing 210 joules of surge protection in each mode. The nylon component shield protects the PC board from moisture and contaminants. An all-glass PC board provides superior moisture immunity for longer life in humid environments. Conformal coating is provided on PC board for additional moisture immunity.

Meets UL Standards 1449 2nd edition and 498; CSA Certified (NEMA 5-15 configuration only).

Damage-alert alarm sounds when surge protection is no longer functioning...and keeps sounding until the receptacle is replaced or muting screw is utilized.

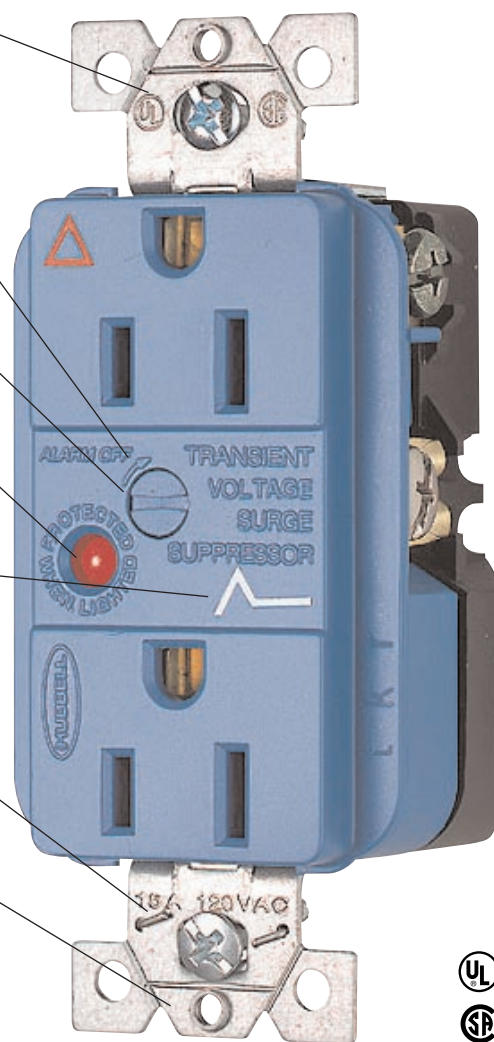
Muting screw allows damage-alert alarm to be silenced until device is replaced.

Power-on indicator light verifies instantly that power is available at the receptacle and the suppression circuit is fully functional; light off means power has been interrupted; flashing light indicates surge protection circuitry has been damaged.

Distinctive surge symbol provides quick visual identification of surge suppression receptacle. High-impact nylon face resists breakage.

Automatic grounding clip attached to bridge meets NEC Article 250-74, Exception No. 2.

Fits standard wall box.



IG8262S





# SURGE SUPPRESSION RECEPTACLES

## ORDERING INFORMATION



HBL5260S



HBL5262GYS



IG5362OS

CATALOG #	COLOR	AMPERAGE	DESCRIPTION
-----------	-------	----------	-------------

### LED ONLY

HBL5260S	Blue	15 Amp	Led Only
HBL5260IS	Ivory	15 Amp	Led Only
HBL5360S	Blue	20 Amp	Led Only
HBL5360IS	Ivory	20 Amp	Led Only

### LED & ALARM

HBL5262S	Blue	15 Amp	Led & Alarm
HBL5262IS	Ivory	15 Amp	Led & Alarm
HBL5262GYS	Gray	15 Amp	Led & Alarm
HBL5262WS	White	15 Amp	Led & Alarm
HBL5362S	Blue	20 Amp	Led & Alarm
HBL5362IS	Ivory	20 Amp	Led & Alarm
HBL5362GYS	Gray	20 Amp	Led & Alarm
HBL5362WS	White	20 Amp	Led & Alarm

### ISOLATED GROUND

IG5262S	Blue	15 Amp	Isolated Ground with LED & Alarm
IG5262IS	Ivory	15 Amp	Isolated Ground with LED & Alarm
IG5262GYS	Gray	15 Amp	Isolated Ground with LED & Alarm
IG5262WS	White	15 Amp	Isolated Ground with LED & Alarm
IG5262OS	Orange	15 Amp	Isolated Ground with LED & Alarm
IG5362S	Blue	20 Amp	Isolated Ground with LED & Alarm
IG5362IS	Ivory	20 Amp	Isolated Ground with LED & Alarm
IG5362GYS	Gray	20 Amp	Isolated Ground with LED & Alarm
IG5362WS	White	20 Amp	Isolated Ground with LED & Alarm
IG5362OS	Orange	20 Amp	Isolated Ground with LED & Alarm

### ISOLATED GROUND HOSPITAL GRADE

IG8262S	Blue	15 Amp	Isolated Ground Hospital Grade with LED & Alarm
IG8262IS	Ivory	15 Amp	Isolated Ground Hospital Grade with LED & Alarm
IG8262GYS	Gray	15 Amp	Isolated Ground Hospital Grade with LED & Alarm
IG8262WS	White	15 Amp	Isolated Ground Hospital Grade with LED & Alarm
IG8262OS	Orange	15 Amp	Isolated Ground Hospital Grade with LED & Alarm
IG8262RS	Red	15 Amp	Isolated Ground Hospital Grade with LED & Alarm
IG8362S	Blue	20 Amp	Isolated Ground Hospital Grade with LED & Alarm
IG8362IS	Ivory	20 Amp	Isolated Ground Hospital Grade with LED & Alarm
IG8362GYS	Gray	20 Amp	Isolated Ground Hospital Grade with LED & Alarm
IG8362WS	White	20 Amp	Isolated Ground Hospital Grade with LED & Alarm
IG8362OS	Orange	20 Amp	Isolated Ground Hospital Grade with LED & Alarm
IG8362RS	Red	20 Amp	Isolated Ground Hospital Grade with LED & Alarm

All receptacles are UL Listed and CSA Certified (15A only).



# SURGE SUPPRESSION RECEPTACLES

## ORDERING INFORMATION

CATALOG #	COLOR	AMPERAGE	DESCRIPTION
<b>HOSPITAL GRADE</b>			
HBL8262S	Blue	15 Amp	Hospital Grade with LED and Alarm
HBL8262IS	Ivory	15 Amp	Hospital Grade with LED and Alarm
HBL8262GYS	Gray	15 Amp	Hospital Grade with LED and Alarm
HBL8262WS	White	15 Amp	Hospital Grade with LED and Alarm
HBL8262RS	Red	15 Amp	Hospital Grade with LED and Alarm
HBL8362S	Blue	20 Amp	Hospital Grade with LED and Alarm
HBL8362IS	Ivory	20 Amp	Hospital Grade with LED and Alarm
HBL8362GYS	Gray	20 Amp	Hospital Grade with LED and Alarm
HBL8362WS	White	20 Amp	Hospital Grade with LED and Alarm
HBL8362RS	Red	20 Amp	Hospital Grade with LED and Alarm
<b>4-PLEX</b>			
HBL420HS	Blue	20 Amp	4-Plex Surge – Hospital Grade
HBL420HIS	Ivory	20 Amp	4-Plex Surge – Hospital Grade
HBL415S	Blue	15 Amp	4-Plex Surge
HBL415IS	Ivory	15 Amp	4-Plex Surge
HBL420S	Blue	20 Amp	4-Plex Surge
HBL420IS	Ivory	20 Amp	4-Plex Surge
<b>ACCESSORIES</b>			
HBL4APBL	Accessories	Adapter Plate Blue	
HBL4API	Accessories	Adapter Plate Ivory	
HBL4PBI	Accessories	Portable Box Ivory	

All receptacles are UL Listed and CSA Certified (15A only).

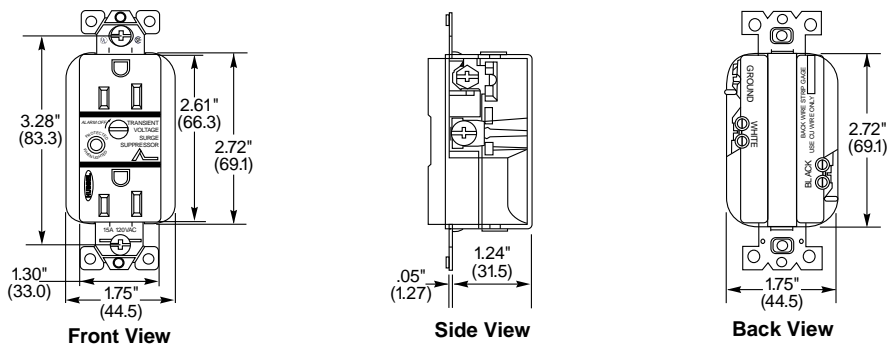


HBL8362RS

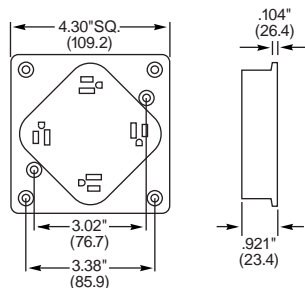


HBL420HS

## DIMENSIONS



Duplex Receptacles



Dimensions in inches (mm)

4-Plex Receptacle



# SPIKESHIELD SURGE SUPPRESSION PLUG STRIPS

The SpikeShield TVSS family from Hubbell offers a line of plug strips which provides point-of-use protection against transients for any type of sensitive electronic equipment ranging from copiers to computers. The new plug strip product line not only meets UL 1449, 2nd Edition, but offers the innovation and reliability you expect from Hubbell.

The SpikeShield plug strip line incorporates the same technology that you find in the service entrance and branch panel surge suppression products. Features like thermal fusing, sine wave tracking, noise filtration and a UL 330 volt clamping level. These products are also available with 6 or 8 outlets, fax and modem connections, LED status indicators and a resettable 15 amp circuit breaker. All SpikeShield plug strips come with a lifetime warranty for both product and connected equipment.

SpikeShield plug strips provide protection from damaging transients and are ideal for use in offices, schools, hospitals and laboratories; anywhere sensitive electronic equipment is being used.



HBL8PS720M



SS6HG



## FEATURES

### Thermal fusing

### Noise filtering circuit

### Resettable 15 amp circuit breaker with overload and short-circuit protection

### LED status indicator

### Sine wave tracking

## BENEFITS

Thermal fuse remains functional to prevent the MOV from overheating when exposed to high current levels, a Hubbell exclusive.

Reduces high-frequency noise or interference which can cause operational or data errors.

Full 15 amp connected load capacity.

Provides visual indication of plug strip status.

Provides uniform clamping throughout the sine wave\*.

\*Does not apply to HBL6PS360

## ORDERING INFORMATION

CATALOG #	APPLICATION/ DESCRIPTION	INPUT	# OF OUTLETS	CIRCUIT BREAKER	ON/OFF SWITCH	SURGE LED	STATUS ALARM	RATING
SS6HG	Plug strip w/filtering, surge protection, hospital grade receptacles & plug.	6' Power Cord (182.9cm)	6	Yes	Yes	Yes	Yes	15A, 420 joules
HBL6PS360	Plug strip w/ surge protection.	4' Power Cord (121.9 cm)	6	Yes	Yes	Yes	No	15A, 360 joules
HBL8PS480	Plug strip w/filtering & surge protection.	6' Power Cord (182.9 cm)	8	Yes	Yes	Yes	No	15A, 480 joules
HBL8PS480M	Plug strip w/modem, filtering & surge protection.	6' Power Cord (182.9 cm)	8	Yes	Yes	Yes	No	15A, 480 joules
HBL8PS720	Plug strip w/filtering & surge protection.	6' Power Cord (182.9 cm)	8	Yes	Yes	Yes	No	15A, 720 joules
HBL8PS720M	Plug strip w/modem, filtering & surge protection.	6' Power Cord (182.9 cm)	8	Yes	Yes	Yes	No	15A, 720 joules



# SPECIFICATIONS

## SURGE SUPPRESSION RECEPTACLES

	Part	Duplex	4-Plex
<b>Typical Specification – HBL5262S/HBL5362S</b>			
Type – 2 Pole, 3 Wire, Grounding	Receptacle	15A/20A	15A/20A
	Top	Nylon	Lexan
	Base	Nylon	Lexan
	Tandem Modified By-Pass	.031" (.8) Brass	.032" Brass Triple Wipe
	Power Contacts		Power Contacts
Rating – 15A, 125V/20A, 125V	Mounting Strap	.050" (1.3) Steel-Zinc Coated	–
Certification – UL Listed File E2186	Clamping Plate	.031" (.8) Brass	.031" Brass-Line Terminal Plate
Listed to UL Standards 498 Receptacles	Terminal Screws	Brass #8-32	.031" Brass Neutral-Terminal Plate
Meets UL1449, 2nd Edition Transient Voltage Surge Suppressors	Hex Hd. Grounding Screw	Steel (Green)	Brass (Green)
CSA Certified to Specification C22.2 No. 42M (15A only)	Auto Grd. Clip	Stainless Steel	Ground Plate – .050"
ANSI/IEEE C62.41 (IEEE 587)	Mounting Screws	Steel-Zinc Plated	Brass
Installation Categories "A" (Ring Wave)	LED	Red	Green
"B" (Unidirectional Impulse)	Alarm Muting Screw	Nylon	–
<b>Performance</b>			
<b>Electrical</b>	<b>Duplex</b>		<b>4-Plex</b>
Operation Frequency:	60Hz.		60Hz.
Voltage:	120V AC +10%-15%.		120V AC +10%-15%
Response Time*:	Approximately 5 ns.		Approximately 5 ns.
Protection Modes:	Normal and Common Modes.		Normal and Common Modes.
Transient Suppression:	Peak Energy (10 x 100 µs)	Peak Current (8 x 20 µs)	Peak Energy (10 x 100 µs)    Peak Current (8 x 20 µs)
Normal Mode (L-N):	210 joules	13000A	80 joules                      6500A
Common Mode (L-G), (N-G):	210 joules	13000A	80 joules                      6500A
Suppressed Voltage:			
UL 1449, 2nd Edition (8 x 20 µs 500A):	400V		600V
UL Listed:	400V max.		600V max.
EMI/RFI Attenuation at 50 Ohms Normal Mode:	40 dB	500kHz - 100MHz.	60 Hz
Operating Temperature:	32° to 140° F (0° to 60° C)		-40° to 140° F (-40° to 60° C)
Flammability:	UL 94-V2.		UL 94-V2.

## SPIKESHIELD SURGE SUPPRESSION PLUG STRIPS

	HBL6PS360	HBL8PS480(M)	HBL8PS720(M)	SS6HG
<b>Operating Specifications</b>				
Nominal line voltage:	120	120	120	120
Max. cont. operating voltage:	130	130	130	130
Operating frequency:	50/60/400 Hz			60 Hz
Max. surge current:	27KA	36KA	54KA	39KA
AC Modem	250A	750A	1200A	-
Joule rating	360	480	720	420
Operating temperature:	14° to +140° F (-10° to +60° C)			32° to 104° F (0° to 40° C)
Diagnostics:	Protection & Outlet Status LEDs			Audible Alarm with LED Status
<b>Performance</b>				
UL1449, 2nd edition				
Clamping voltage:	330 V	330 V	330 V	330V
ANSI/IEEE C62.41:				
Clamping voltage:				
Category A3 200A (Ringwave)	330	320	180	–
Category B3 500A (Ringwave)	380	340	190	330
Category C1 3000A (Impulse)	400	380	340	500
EMI/RFI noise rejection:	0-25dB	20-40dB	30-60dB	60-80dB
Thermal fusing:	Yes	Yes	Yes	–
Sine wave tracking:	–	Yes	Yes	–
<b>Mechanical Description</b>				
Dimension:	1.65"H x 2.17" W x 12"L (41.91 x 54.99 x 304.8mm)	1.70"H x 3.45"W x 10.52"L (43.21 x 87.63 x 267.11mm)	1.70"H x 3.45"W x 10.52"L (43.21 x 87.63 x 267.11mm)	1.16" x 2.25" W x 15.75" L (29.46 x 57.15 x 400mm)
Housing ratings:	Indoor use only			
Product weight:	1.02 lb. (.463kg)	1.09 lb. (.495kg)	1.10 lb. (.5kg)	2.90 lbs. (1.08 kg)
<b>Warranty</b>				
Product	<b>Lifetime</b>	<b>Lifetime</b>	<b>Lifetime</b>	
Downline	<b>\$2,500</b>	<b>\$10,000</b>	<b>\$25,000</b>	