

1 Through Terminal Blocks

Front-entry

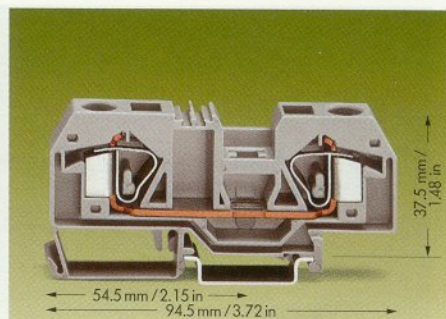
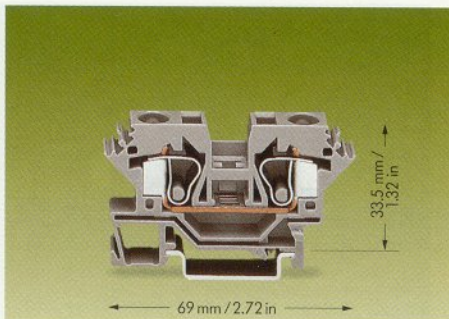
0.2 – 10 mm² | AWG 24 – 8
 800 V/8 kV/3 ① | 600 V, 50 A ②
 57 A | 600 V, 65 A ③
 Terminal block width 10 mm / 0.394 in
 12 – 13 mm / 0.49 in











* ④ ⑤ ⑥ ⑦ ⑧ ⑨ ⑩ ⑪ ⑫ ⑬ ⑭ ⑮ ⑯ ⑰ ⑱ ⑲ ⑳ ㉑ ㉒ ㉓ ㉔ ㉕ ㉖ ㉗ ㉘ ㉙ ㉚ ㉛ ㉜ ㉝ ㉞ ㉟ ㊱ ㊲ ㊳ ㊴ ㊵ ㊶ ㊷ ㊸ ㊹ ㊺ ㊻ ㊼ ㊽ ㊾ ㊿

0.2 – 16 mm² | AWG 24 – 6
 800 V/8 kV/3 ① | 600 V, 65 A ②
 76 A | 600 V, 70 A ③
 Terminal block width 12 mm / 0.472 in
 16 – 17 mm / 0.65 in

* ④ ⑤ ⑥ ⑦ ⑧ ⑨ ⑩ ⑪ ⑫ ⑬ ⑭ ⑮ ⑯ ⑰ ⑱ ⑲ ⑳ ㉑ ㉒ ㉓ ㉔ ㉕ ㉖ ㉗ ㉘ ㉙ ㉚ ㉛ ㉜ ㉝ ㉞ ㉟ ㊱ ㊲ ㊳ ㊴ ㊵ ㊶ ㊷ ㊸ ㊹ ㊺ ㊻ ㊼ ㊽ ㊾ ㊿

- ① 800 V = rated voltage
 8 kV = rated surge voltage
 3 = pollution degree
 (see also section 10)
- ② See application notes on pages 1.46 and 1.47
- ③ Serves as touchproof protection for unused clamping units
- ④ 85 A only when comming terminal blocks 285-601 or 285-604



Description	Item-No.	Pack.-unit pcs	Item-No.	Pack.-unit pcs
Through terminal block, for DIN 35 rail	2-conductor through terminal blocks		2-conductor through terminal blocks	
grey	284-601	25	grey	283-901 20
blue	284-604	25	blue	283-904 20
Terminal block types with the same shape	gr. (earth) cond.	284-607 page 1.64	orange	283-902 20
Accessories (see also section 8)	Appropriate marking system	WMB/WSB/WFB	gr. (earth) cond.	283-907 page 1.65
	End and intermediate plate	orange grey	orange grey	
	Separator plate, oversized	2.5 mm / 0.098 in thick 284-317 284-316 100 (4 x 25)	2.5 mm / 0.098 in thick 283-328 283-325 50 (2 x 25)	
		2 mm / 0.079 in thick 284-327 284-337 100 (4 x 25)	2 mm / 0.079 in thick 283-329 283-326 50 (2 x 25)	
	Screwless end stop	6 mm / 0.236 in wide 249-116 100 (4 x 25)	6 mm / 0.236 in wide 249-116 100 (4 x 25)	
		10 mm / 0.394 in wide 249-117 50 (2 x 25)	10 mm / 0.394 in wide 249-117 50 (2 x 25)	
	Adjacent jumper, insulated	I _N 57 A grey 284-402 100 (4 x 25)	I _N 70 A grey 283-402 50 (2 x 25)	
		yellow-green 284-422 100 (4 x 25)	yellow-green 283-422 50 (2 x 25)	
	Alternate jumper, insulated	I _N 57 A grey 284-409 50 (2 x 25)	I _N 76 A grey 283-409 50 (2 x 25)	
	Test plug adapter, suitable for terminal blocks 1.5 mm² – 10 mm²/16 mm²	8 mm / 0.315 in wide 209-170 50 (2 x 25)	11.6 mm / 0.457 in wide 283-404 25	
		for test plug 4 mm / 0.157 in Ø	for test plug 4 mm / 0.157 in Ø	
	Protective warning marker, for 5 terminal blocks, fits into screwdriver slot	yellow 284-415 50 (2 x 25)	yellow 283-415 50 (2 x 25)	
	Step-down jumper, ② ins., grey	16 mm ² /AWG 6 → 4 mm ² /AWG 12	16 mm ² /AWG 6 → 4 mm ² /AWG 12	
		284/282 → 281/280/279 I _N 15 A 284-414 50 (2 x 25)	I _N 32 A 283-414 50 (2 x 25)	
		284/282 → 282/281 I _N 30 A 284-413 50 (2 x 25)		
	Cover plate, ② for step-down jumper application only	orange grey	1 mm / 0.039 in thick grey 283-357 25	
		1 mm / 0.039 in thick 284-344 284-334 25	orange 283-367 25	
		1 mm / 0.039 in thick 284-346 284-336 25		
	Finger guard cover ③	yellow 284-400 100 (4 x 25)	yellow 283-400 100 (4 x 25)	

Application notes



Finger guard cover snapped into unused clamping unit.

* For further approvals with corresponding ratings see pages 10.3 ff.