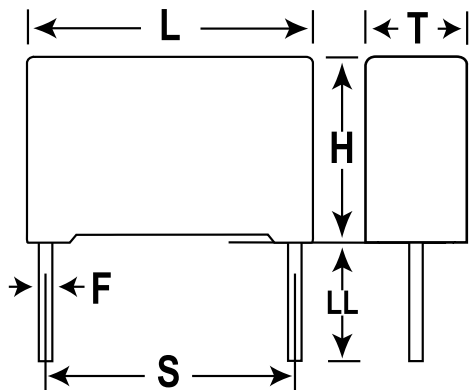


Capacitor, film, 1.5 uF, +/-20% Tol, -40/+110C, Safety: X2, 275 VAC, Lead Spacing=22.5 mm



Dimensions (mm)		
Symbol	Dimension	Tolerance
L	26.5	+0.3
H	18.5	+0.1
T	10	+0.2
S	22.5	+/-0.4
LL	30	+5/-0
F	0.8	+/-0.05

Notes:

-L,H,T are nominal dimensions and do not imply a minimum.

General Information	
Supplier:	KEMET
Dielectric:	Metallized Polypropylene
Application:	Safety: X2
Style:	Radial Box
Lead Form:	Wire Leads
Approvals:	ENEC,UL,cUL,CQC
RoHS:	Yes

Specifications	
Capacitance:	1.5 uF
Voltage:	560 VDC
Tolerance:	+/-20%
Voltage AC:	275 VAC
Rated Temperature:	110C
Temperature Range:	-40/+110C
Dissipation Factor @ 1 kHz:	0.1%
Insulation Resistance:	20 GOhm
Maximum dVdT:	200 v/us

Packaging Specifications	
Package Kind:	Bulk
Package Quantity:	300