

**MICRO SWITCH**FREEPORT, ILLINOIS, U.S.A.  
A DIVISION OF HONEYWELL

FED. MFG. CODE 91929

**SWITCH-BASIC**

CATALOG LISTING

**6BSI-B**

CATALOG LISTING  
**6BSI-B**  
PAGE 1 OF 1

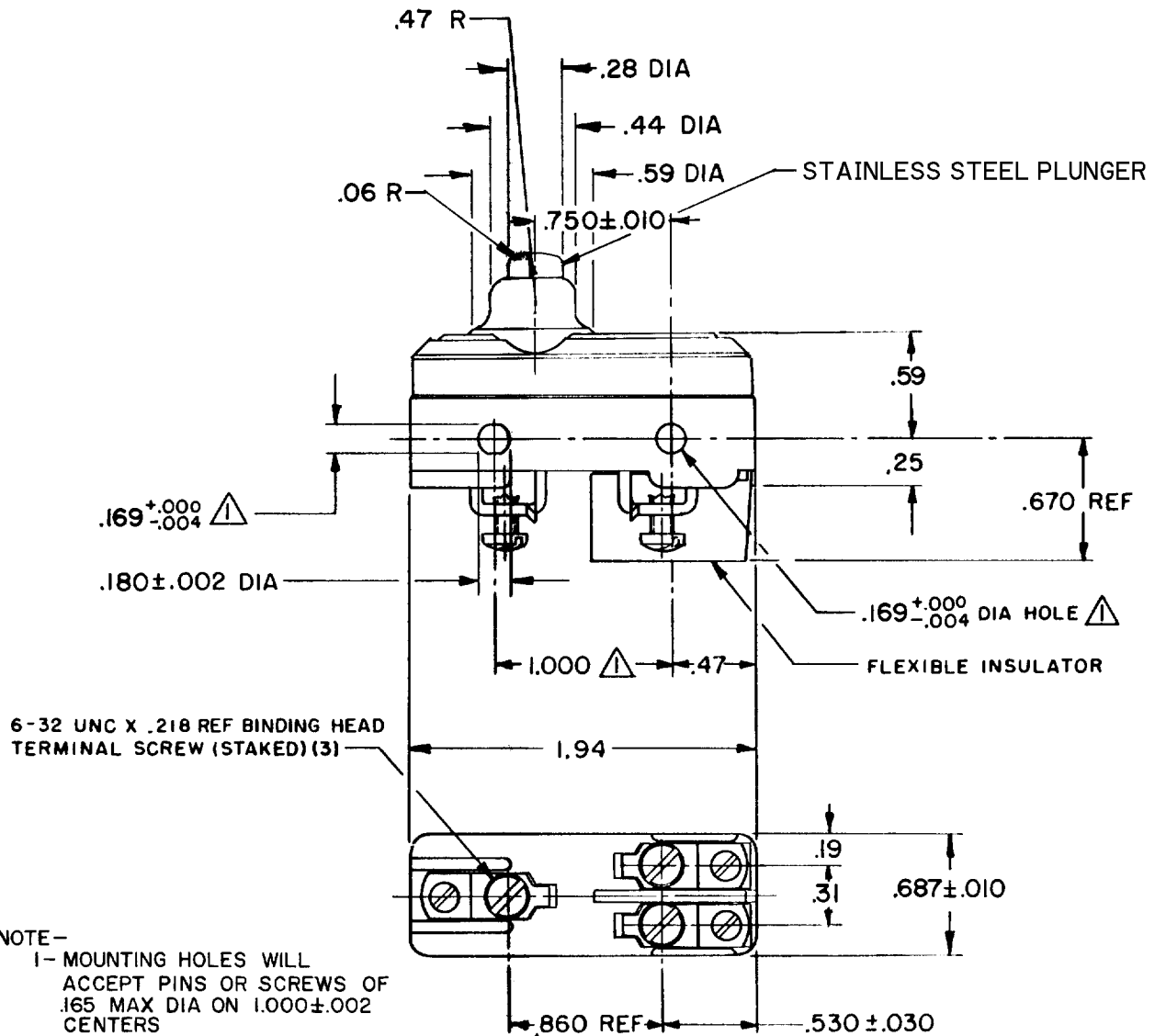
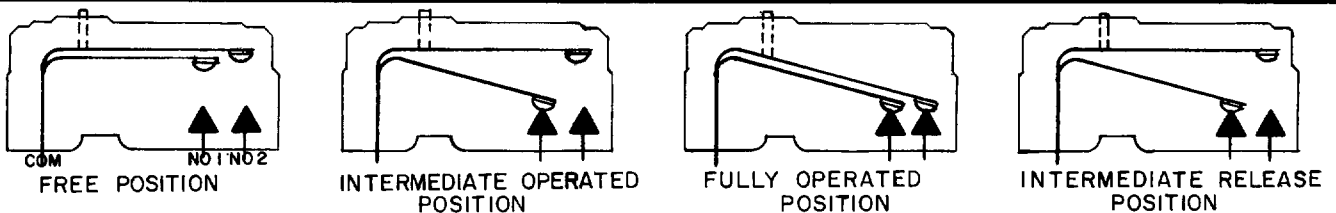
**M**  
DRAWING NUMBER

ISSUE  
11

REVISIONS

A	CO21237	RLD	22 MAR 66
B	CO28026	OMW	9 OCT 70
C	C O 46894	D J S	1 DEC 79
D	CO61823	K A G	10 AUG 87
E	200462	CSL	24 MAY 00

CHECK  
25 MAR 66  
LSD  
22 MAR 66  
DRAWN  
FO-90378

**SEQUENCE OF OPERATION**

THIS DRAWING COVERS A PROPRIETARY ITEM AND IS THE PROPERTY OF MICRO SWITCH, A DIVISION OF HONEYWELL. THIS DRAWING IS NOT TO BE COPIED OR USED WITHOUT THE APPROVAL OF MICRO SWITCH.

CHARACTERISTICS	ELECTRICAL DATA	SCALE FULL
* OPERATING FORCE ----- 35 OZ MAX 1ST SNAP OPERATING FORCE ----- 45 OZ MAX 2ND SNAP RELEASE FORCE ----- 10 OZ MIN RELEASE TRAVEL ----- .005 MIN PLUNGER TRAVEL - BETWEEN OPERATING POSITIONS TO BE ----- .020 MIN	CONTACT ARRANGEMENT SEE DIAGRAM  UNDERWRITERS' LAB. INC. LISTED RATING -LI15- 10 A - 125 OR 250 VAC 1/3 HP - 125 VAC ; 3/4 HP - 250 VAC 1/2 A - 125 VDC ; 1/4 A - 250 VDC	DO NOT SCALE PRINT  UNLESS OTHERWISE NOTED DIMENSIONS ARE IN INCHES <b>TOLERANCES ARE:</b> ONE PLACE (.0) ±.030 TWO PLACE (.00) ±.015 THREE PLACE (.000) ±.005 ANGLES ±
		WEIGHT