

# Data sheet

## C6<sub>A</sub> RJ45 field plug pro

Page 1/6

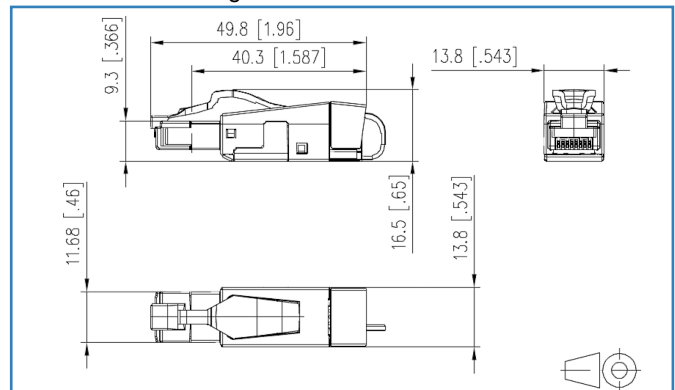
P/N  
130E405032-E  
EAN 4250184180593

2015-19-05

### Illustrations



Dimensional drawing



See enlarged drawings at the end of document

### Product specification

- Cat.6<sub>A</sub> class E<sub>A</sub> RJ45 plug to be assembled in the field
- fully shielded and multi-port capable
- straight (180°) cable feed
- easy assembly - connection without special tools
- wire connection: stranded wire AWG 27/7 to 22/7, wire diameter from 0.46 to 0.76 mm
- wire connection: solid wire AWG 26/1 to 22/1, wire diameter from 0.4 to 0.64 mm
- transmission characteristics Cat.6<sub>A</sub> per ISO/IEC 11801 Ed.2.2:2011-06
- compliance with class E<sub>A</sub> to ISO/IEC 11801 Ed.2.2:2011-06, DIN EN 50173-1:2011-09
- 10 GBit suitable according to IEEE 802.3an
- suitable for Power over Ethernet (PoE, PoE plus and UPoE)
- degree of protection IP20
- for cable jacket diameter from 5.5 to 10.5 mm
- zinc die-cast housing for industrial use consists of only 2 parts
- strain relief by latching clip directly on the stuffer cap
- protected locking hook
- reconnectable

**Data sheet**  
**C6<sub>A</sub> RJ45 field plug pro**

**Technical Data**

**General Data**

|                         |   |
|-------------------------|---|
| Fields of application   | Structured building cabling, Medical technology |
| Design                  | Plugs   |
| Shielding               | shielded  |
| Transmission technology | Copper  |
| Color                   | black   |
| Dimensions              |   |
| Dimension (L x W x H)   | 49.80 x 13.8 x 16.50 mm                         |
| Dimension (L x W x H)   | 1.96 x 0.54 x 0.65 in.                          |
| Field assembly ability  | yes   |
| Multi-port capability   | yes   |
| Labeling option         | on housing                                      |
| Marking option          | by latching clip                                |

**Transmission characteristics**

|                                 |                |
|---------------------------------|----------------|
| Category (ISO)                  | 6 <sub>A</sub> |
| Class (ISO/IEC)                 | E <sub>A</sub> |
| Category (TIA)                  | 6A             |
| PoE                             | IEEE 802.3af   |
| PoE plus                        | IEEE 802.3at   |
| UPoE                            | yes            |
| Transmission rate up to 10 GBit | IEEE 802.3an   |

**Connections/interfaces**

|  |                |
|--|----------------|
| Connector technology interface 1         | IDC-connection |
| Connector technology interface 2         | RJ45 plug      |
| Number of ports interface 2              | 1              |
| Number of ports interface 2 equipped     | 1              |
| Number of positions/contacts interface 1 | 8              |
| Number of positions/contacts interface 2 | 8P/8C          |



**Data sheet**  
**C6<sub>A</sub> RJ45 field plug pro**

Page 3/6

P/N  
130E405032-E  
EAN 4250184180593

2015-19-05

**Technical Data**

**Connections/interfaces**

Termination data, solid wire (min. - max.)

|  |                               |
|--|-------------------------------|
| Conductor cross section, solid wire          | AWG 26 - 22                   |
| Conductor cross section, solid wire          | 0.128 - 0.324 mm <sup>2</sup> |
| Conductor diameter, solid wire (bare copper) | 0.409 - 0.643 mm              |
| Conductor diameter, solid wire (bare copper) | 0.016 - 0.025 in.             |

Termination data, stranded wire (min. - max.)

|   |                               |
|---|-------------------------------|
| Conductor cross section, stranded wire          | AWG 27 - 22                   |
| Conductor cross section, stranded wire          | 0.111 - 0.355 mm <sup>2</sup> |
| Conductor diameter, stranded wire (bare copper) | 0.457 - 0.762 mm              |
| Conductor diameter, stranded wire (bare copper) | 0.019 - 0.030 in.             |

Cable sheath diameter (min. - max.)

|                       |                 |
|-----------------------|-----------------|
| Cable sheath diameter | 5.50 - 10.50 mm |
| Cable sheath diameter | 0.22 - 0.41 in. |

|                     |      |
|---------------------|------|
| Cable access/outlet | 180° |
|---------------------|------|

|                  |  |
|------------------|--|
| Reconnectibility | yes, if cross section is greater or the same |
|------------------|--|

|                   |                         |
|-------------------|-------------------------|
| Shield connection | flexible contact spring |
|-------------------|-------------------------|

**Electrical characteristics**

|   |               |
|---|---------------|
| Current carrying capacity                           | max. 1 A      |
| Rated voltage                                       | max. 50 V     |
| Contact resistance                                  | max. 20 mOhm  |
| Insulation resistance                               | min. 500 MOhm |
| Dielectric strength conductor-conductor (secondary) | 1000 V DC     |

**Mechanical characteristics**

|   |                  |
|---|------------------|
| Mounting method   | snap-in function |
| Insertion and withdrawal force                              | max. 20 N        |
| Position/mounting of latch - standard installation position | top              |
| Strain relief   | latching clip    |



**Data sheet**  
**C6<sub>A</sub> RJ45 field plug pro**

Page 4/6

P/N  
130E405032-E  
EAN 4250184180593

2015-19-05

**Technical Data**

**Materials and material properties**

|                           |                       |
|---------------------------|-----------------------|
| Material - Housing        | GD-Zn (zinc die-cast) |
| Material - Contact        | CuSn (tin bronze)     |
| Material - Contact finish | Ni + Au (nickel-gold) |
| Material - Latch          | Plastics              |

**Environmental conditions**

|                             |                |
|-----------------------------|----------------|
| Temperature (min. - max.)   |                |
| Temperature - Storage °C    | -40 - 70 °C    |
| Temperature - Storage °F    | -40 - 158 °F   |
| Temperature - Operating °C  | -40 - 70 °C    |
| Temperature - Operating °F  | 158 °F         |
| Electromagnetic measurement | E <sub>2</sub> |

**Approvals**

|                      |           |
|----------------------|-----------|
| CE                   | compliant |
| RoHS                 | compliant |
| UL listed (file no.) | E178484   |

**The product meets the following standards**

|   |  |
|---|--|
| Generic cabling systems   |  |
| General requirements  | ISO/IEC 11801 Ed.2.2: 2011-06   DIN EN 50173-1: 2011-09<br>TIA/EIA 568-C |
| Office buildings  | ISO/IEC 11801 Ed.2.2: 2011-06   DIN EN 50173-2: 2011-09<br>TIA/EIA 568-C |
| Industrial area   | ISO/IEC 24702   DIN EN 50173-3: 2011-09<br>TIA/EIA 1005                  |
| Living units  | ISO/IEC 15018   DIN EN 50173-4: 2011-09<br>TIA/EIA 570-B                 |
| Industrial communication networks -<br>Installation of communication networks in industrial<br>premises | IEC 61918  |
| Connectors for electronic equipment   |  |
| Free and fixed connectors   | DIN EN 60603-7-51:2011-01  |
| Interference proof  |  |
| Immunity for industrial environments  | DIN EN 61000-6-2:2006-03   |



## Technical Data

### The product meets the following standards

#### Emission proof

|  |                          |
|--|--------------------------|
| Electromagnetic emission for residential, commercial and light-industrial environments | DIN EN 61000-6-3:2011-09 |
|--|--------------------------|

### Classifications

|          |          |
|----------|----------|
| ETIM 5.0 | EC001121 |
|----------|----------|

### Packing details

|                                 |                            |
|---------------------------------|----------------------------|
| Type of packaging               | 10 pc(s) / box             |
| Packaging unit - Weight (gram)  | 413.00 g                   |
| Packaging unit - Weight (pound) | 0.91 lb                    |
| Packaging dimension (W x H x D) | 247.00 x 161.00 x 58.00 mm |
| Packaging dimension (W x H x D) | 9.72 x 6.34 x 2.28 in.     |



## Illustrations

### Dimensional drawing

