



Representative photograph, actual product appearance may vary.

Due to regional agency approval requirements, some products may not be available in your area. Please contact your regional Honeywell office regarding your product of choice.

HOA1877-002

HOA Series Transmissive Optoschmitt Sensor, Transistor Output, Plastic Package

Features

- Choice of phototransistor or photodarlington output
- Wide operating temperature range [-55 °C to 100 °C]
- 0.50 in [12.7 mm] high optical axis position
- 0.375 in [9.52 mm] slot width

Description

The HOA1877 series consists of an infrared emitting diode facing an NPN silicon phototransistor (HOA1877-001, -002) or photodarlington (HOA1877-003) encased in a black thermoplastic housing. Detector switching takes place whenever an opaque object passes through the slot between emitter and detector. The HOA1877 series has a 0.050 in (1.27 mm) dia. detector aperture and employs metal can packaged components. For additional component information see SE1450, SD1440, and SD1410.

Housing material is polycarbonate. Housings are soluble in chlorinated hydrocarbons and ketones. Recommended cleaning agents are methanol and isopropanol.



HOA1877-002

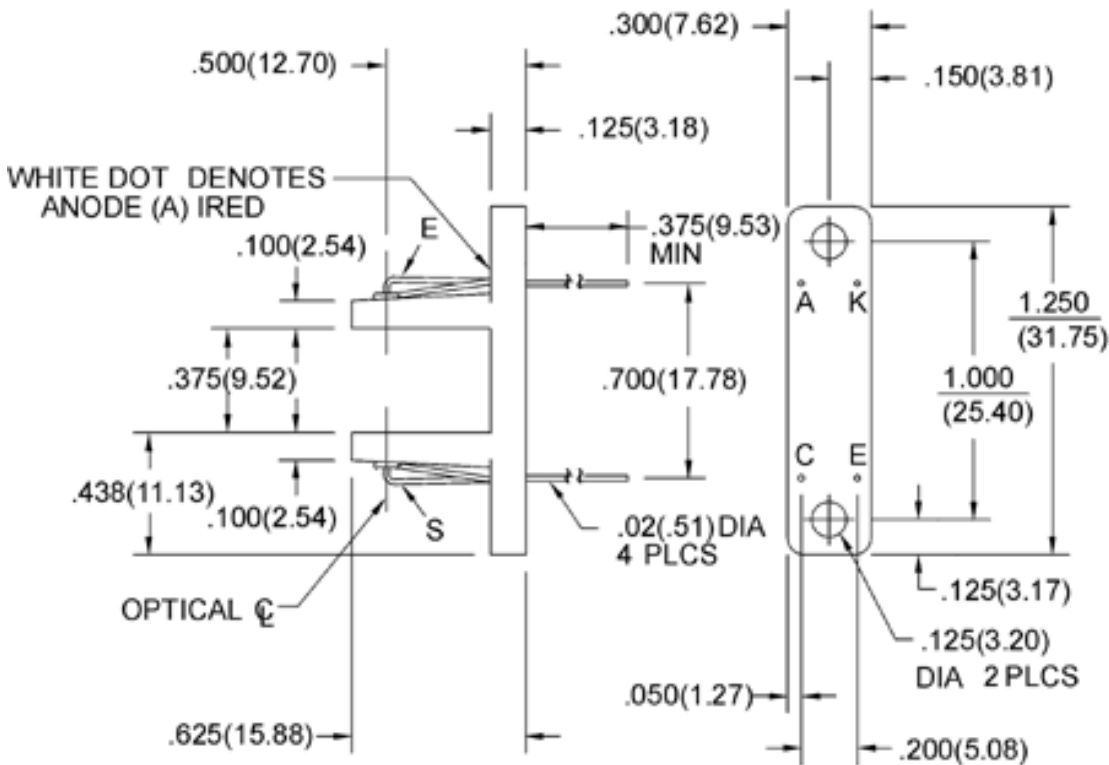
HOA Series Transmissive Optoschmitt Sensor, Transistor Output, Plastic Package

Product Specifications	
Product Type	IR Switch
On-State Collector Current	0.50 mA
Output	Transistor
Package Components	Metal
Package Color	Black
Forward Current	30 mA
Continuous Forward Current	50 mA
Forward Voltage	1.6 V
Reverse Breakdown Voltage	3 V
Reverse Current	10 μ A
Housing Material	Polycarbonate
Rise and Fall Time	15 μ s
Power Dissipation	75 mW
Operating Temperature Range	-55 °C to 100 °C [-67 °F to 212 °F]
Dark Current	100 nA
Collector DC Current	30 mA
Collector-Emitter Breakdown Voltage	30 V
Emitter-Collector Breakdown Voltage	5 V
Collector-Emitter Saturation Voltage	0.4 V
Availability	Global
Product Name	Transmissive Sensor
Sensor Aperture	12,70 mm [0.500 in] dia.
Slot Width	9,53 mm [0.375 in]

Honeywell

HOA1877-002

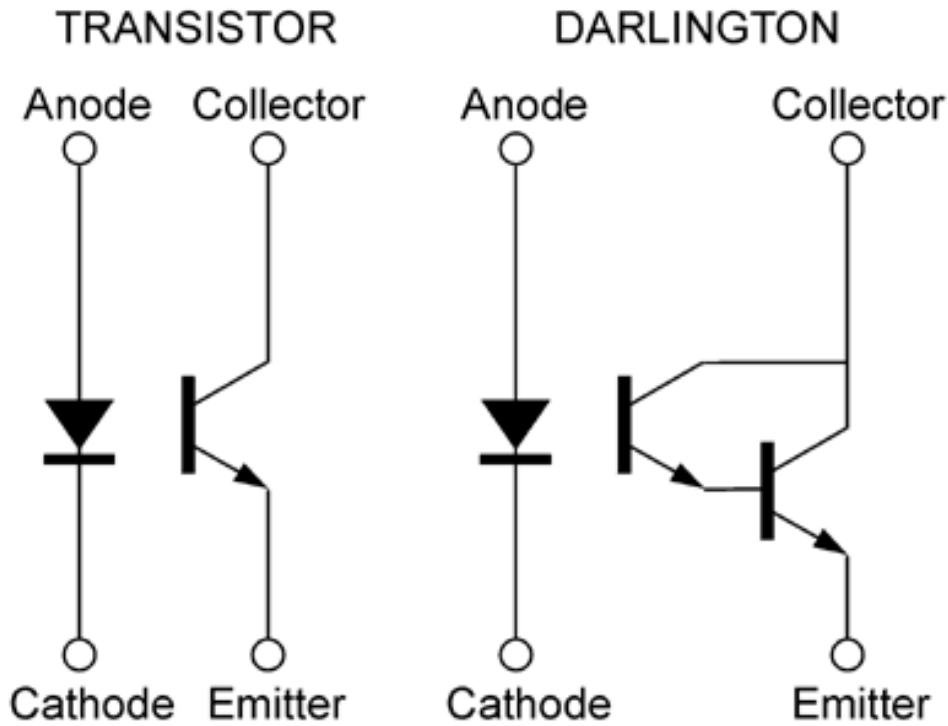
HOA Series Transmissive Optoschmitt Sensor, Transistor Output, Plastic Package



Honeywell

HOA1877-002

HOA Series Transmissive Optoschmitt Sensor, Transistor Output, Plastic Package



Honeywell

HOA1877-002

HOA Series Transmissive Optoschmitt Sensor, Transistor Output, Plastic Package

⚠ WARNING

PERSONAL INJURY

DO NOT USE these products as safety or emergency stop devices, or in any other application where failure of the product could result in personal injury.

Failure to comply with these instructions could result in death or serious injury.

 **WARNING**

MISUSE OF DOCUMENTATION

- The information presented in this product sheet (or catalog) is for reference only. **DO NOT USE** this document as product installation information.
- Complete installation, operation and maintenance information is provided in the instructions supplied with each product.

Failure to comply with these instructions could result in death or serious injury.

© Copyright Honeywell Inc. 1998-2006 All rights reserved.