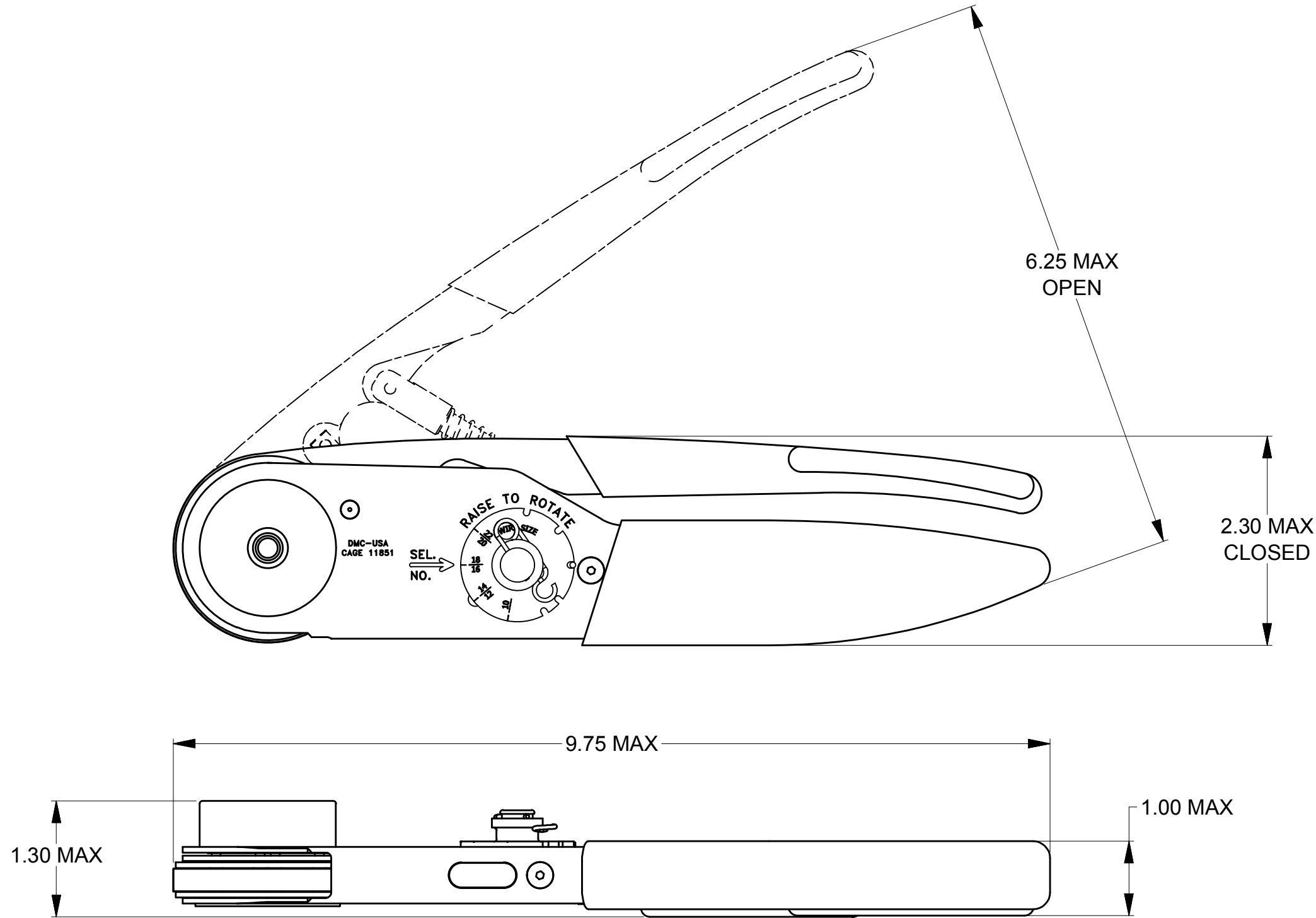


REVISIONS				
REV SYM	ECO NUMBER	DESCRIPTION	BY DATE	APP'D DATE
1		ORIGINAL RELEASE	TD 04-01-14	

**UNCONTROLLED DOCUMENT
WILL NOT BE UPDATED**

DIMENSIONS IN INCHES - UNLESS OTHERWISE SPECIFIED



GAGING LIMITS OF INDENTERS		
SEL NO	INSPECTION GAGE	
	Ø GO ±.0001	Ø NO-GO ±.0001
20/22	.0340	.0390
16/18	.0440	.0510
12/14	.0570	.0670
10	.0650	.0750
CHECK WITH GAGE: G115-1		

1. USE WITH TP682-1; TP683-1 & TP684-1 POSITIONERS ONLY

NOTE:

RESTRICTED & CONFIDENTIAL CONFIDENTIAL PROPERTY OF DANIELS MANUFACTURING CORP. NOT TO BE DISCLOSED TO OTHERS, REPRODUCED OR USED FOR ANY OTHER PURPOSE EXCEPT AS AUTHORIZED IN WRITING BY DANIELS MANUFACTURING. MUST BE RETURNED TO DANIELS MANUFACTURING CORP. ON COMPLETION OF ORDER OR OTHER PURPOSE FOR WHICH LENT.	MATERIAL	N/A	ITEM	PART No.	QTY.	DESCRIPTION/REMARKS
	HEAT TREAT	N/A	DRN. <i>Tony Dilworth</i>	DATE 04-01-14		DMC DANIELS MANUFACTURING CORP. ORLANDO, FLORIDA CAGE 11851
	FINISH	N/A	CHK'D.	DATE		
	DO NOT SCALE DRAWING			APP'D.	DATE	
			NOTE: THIS DRAWING IS AN OUTLINE DRAWING OF THE RESPECTIVE DMC PART NUMBER INDICATED. ACTUAL DMC PART NUMBER IS DRAWING NUMBER WITHOUT THE "ENV" SUFFIX		WHERE USED:	
			SIZE B	SCALE .75X	CAD P/N M300-25A-ENV	SHEET OF 1 1
			POSTING	P/N M300-25A-ENV	REV. 1	