

Enclosed Power Distribution Blocks

Specifications:

Electrical

- 600 Volts AC/DC* (IEC - 690 Volts AC/DC)
- Up to 510 Amps
- Wire Range 2/0 to 400 kcmil
- Flexible Stranded Wire Compliant

Mechanical

- Base, Gray Thermoplastic, 125°C (UL RTI)
- Flammability, UL 94 V-0
- Mounting: DIN or panel mount

Standards

- UL Recognized File No. XCFR2.E62806 (UL 1059)
- CSA Certified File No. LR19766 (CSA C22.2 No. 158)
- C (IEC 60947-7-1)
- IEC 60529, IP-20
- RoHS Compliant

Multiple Wire Ratings

Copper Stranded Wire Only
Load Side Taps Only

#2 opening:

- (2) #6 AWG
- (2) #8 AWG
- (2 to 4) #10 AWG
- (2 to 4) #12 AWG
- (2 to 4) #14 AWG

2/0 opening:

- (2) #4 AWG
- (2) #6 AWG
- (2) #8 AWG
- (2) #10 AWG
- (2) #12 AWG
- (2) #14 AWG

Connector Wire Hole Size

Conductor opening:

- #2 - #14 AWG
- 2/0 - #14 AWG
- 250 kcmil - #6 AWG
- 400 kcmil - #6 AWG

Diameter of opening:

- .38"
- .50"
- .72"
- .94"

Accessories (consult Cust. Service)

- White Markers to Identify Circuits
- Black Thermoplastic Safety Plugs (EPB Plug #2, EPB Plug 2/0, EPB Plug 250, EPB Plug 400)
- Feeder Spacing Adapter Plate (see p 36)



Shown left to right: EPBAD74, EPBAD71

Catalog #	Amps	LINE SIDE			LOAD SIDE			SCCR, RMS SYM Amps 600 Volt Max	
		Wire Range AWG/kcmil	Openings Per Pole	Connector Config.	Wire Range AWG/kcmil	Openings Per Pole	Connector Config.		
EPBAD71	510	250 kcmil - #6 AWG 120 - 16 mm ²	2		250 kcmil - #6 AWG 120 - 16 mm ²	2		10,000	
EPBCD71									
EPBAP71									
EPBCP71									
EPBAD74	335	400 kcmil - #6 AWG 185 - 16 mm ²	1		#2 - #14 35 - 2.5mm ²	8		10,000	
EPBCD74									
EPBAP74			1						100,000
EPBCP74				70 - 2.5 mm ²					

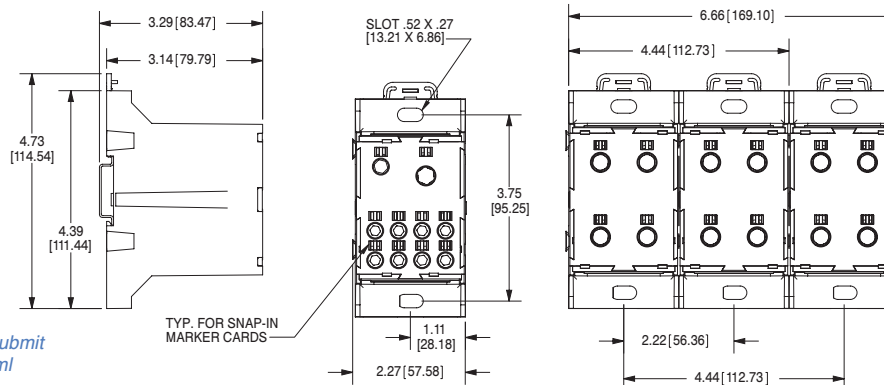
Ordering Code:



Connector Material:
A - Aluminum rated copper or aluminum wire
C - Copper rated copper wire only

D - Mount on 35 mm DIN rail or flat panel
P - Flat panel

71 - (2) 250 kcmil to (2) 250 kcmil
74 - (1) 400 kcmil to (1) 2/0 to (8) #2



For electronic drawings or 2D/3D CAD data, submit request at www.marathonsp.com/drawings.html