



MICRO SWITCH

FREEPORT, ILLINOIS, U.S.A.
A DIVISION OF HONEYWELL

FED. MFG. CODE 91829

SWITCH - BASIC

CATALOG LISTING
BZ-2RQ128T

M BZ-2RQ128T
PAGE 1 OF 1

DRAWING NUMBER

ISSUE
7

REVISIONS

A	CO17410	8 C H	20 MAY 63
B	CO-89351-D	JWB	18 JUL 91
C	CO-77589	JAL	30 MAR 94
D	CO-82133	CSL	30 JUL 96
E	CO93346	DLT	10 SEP 98

REPLACES

RELEASE NO.

CHECK

CHECK

15 JUN 63

L.S.D

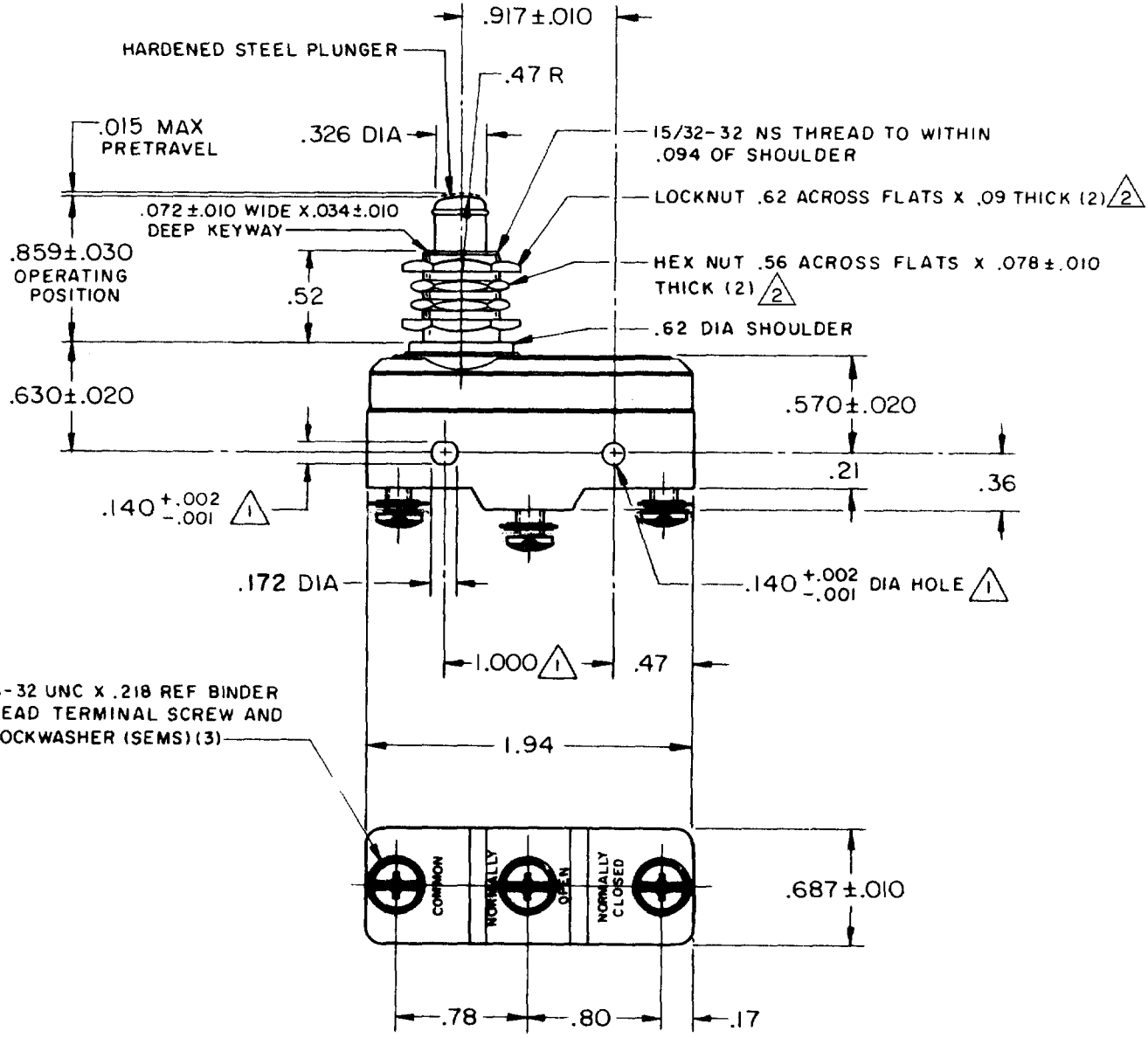
CHECK

20 MAY 63

G C H

FORMTEK
FO-50378

DRAWN



NOTES

- ① MOUNTING HOLES WILL ACCEPT PINS OR SCREWS OF .139 MAX DIA ON 1.000 ± .002 CENTERS
- ② HARDWARE FURNISHED UNASSEMBLED

THIS DRAWING COVERS A PROPRIETARY ITEM AND IS THE PROPERTY OF MICRO SWITCH, A DIVISION OF MINNEAPOLIS-HONEYWELL REGULATOR CO. THIS DRAWING IS NOT TO BE COPIED OR USED WITHOUT THE APPROVAL OF MICRO SWITCH.

CHARACTERISTICS

OPERATING FORCE	-----9 - 13 OZ
RELEASE FORCE	-----4 OZ MIN
DIFFERENTIAL TRAVEL	-----.0004 - .0020
OVERTRAVEL	-----.219 MIN

ELECTRICAL DATA

CONTACT ARRANGEMENT S P D T	
UNDERWRITERS' LAB. INC. LISTED RATING	
-L96-	15 A - 125, 250, OR 480 VAC 1/2 A - 125 VDC; 1/4 A - 250 VDC 1/8 HP - 125 VAC; 1/4 HP - 250 VAC
-L288-	
-L299-	
-L306-	
16A 250V ~ T85 5E4	

SCALE FULL

DO NOT SCALE PRINT	
UNLESS OTHERWISE NOTED	
DIMENSIONS ARE IN INCHES	
TOLERANCES ARE:	
ONE PLACE (.0)	±.030
TWO PLACE (.00)	±.015
THREE PLACE (.000)	±.005
ANGLES	±
WEIGHT	.094 LB