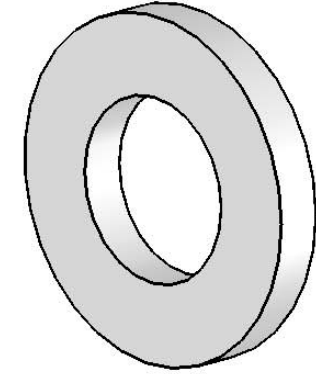
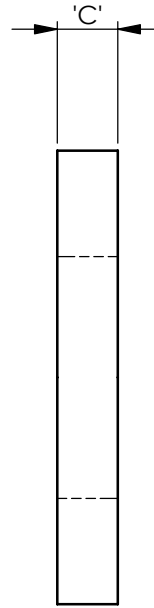
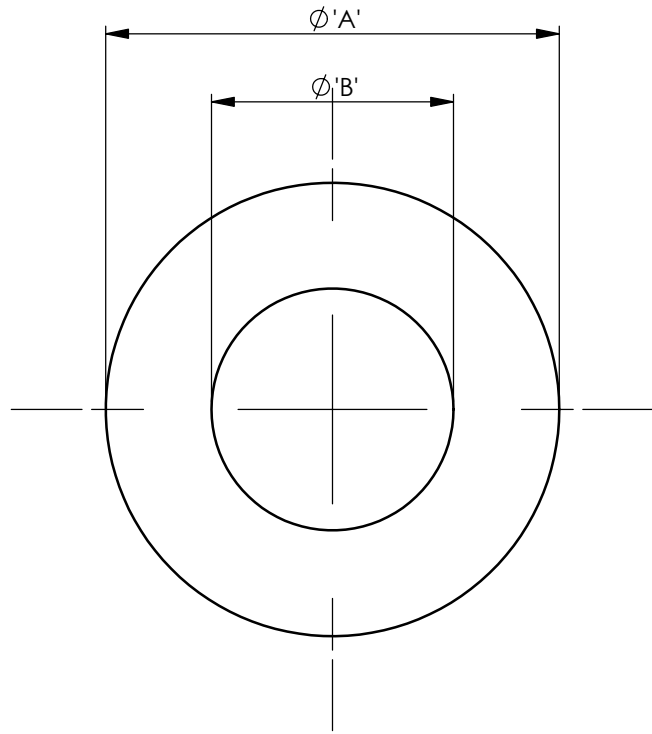


REV.	MODIFICATION.	DATE	DRN
01	NEW DRAWING	19/10/04	NJB
02	ECN2005-075	21/06/05	OW



NOTES:
 1) ALL PRIMARY DIMENSIONS IN mm,
 SECONDARY DIMENSIONS IN INCHES.
 2) PART PRODUCED ACCORDING TO DIN-34815.

AVAILABLE BY SPECIAL ORDER- NAFTA REGION ONLY

NWE-34815-M6	M6	12.0 (-0.43 +0) [.473 (-.017 +0)]	6.4 (-0 +0.22) [.252 (-0 +.009)]	1.6 (±0.2) [.063 (±.008)]
NWE-34815-M5	M5	10.0 (-0.36 +0) [.394 (-.014 +0)]	5.3 (-0 +0.18) [.209 (-0 +.007)]	1.0 (±0.1) [.040 (±.004)]
NWE-34815-M4	M4	9.0 (-0.36 +0) [.355 (-.014 +0)]	4.3 (-0 +0.18) [.170 (-0 +.007)]	0.8 (±0.1) [.032 (±.004)]
NWE-34815-M3	M3	7.0 (-0.36 +0) [.276 (-.014 +0)]	3.2 (-0 +0.18) [.126 (-0 +.007)]	0.5 (±0.05) [.020 (±.002)]
NWE-34815-M2.5	M2.5	6.5 (-0.36 +0) [.256 (-.014 +0)]	2.7 (-0 +0.18) [.107 (-0 +.007)]	0.5 (±0.05) [.020 (±.002)]
PART REF:	M	ØA	ØB	C

INFORMATION CONTAINED IN THIS DOCUMENT IS CONFIDENTIAL TO RICHCO INTERNATIONAL Co. Ltd. AND MAY NOT BE DISCLOSED OR REPRODUCED IN WHOLE OR PART WITHOUT THEIR WRITTEN CONSENT

		METRIC GENERAL TOLERANCES ±0.25 ARE PRIMARY UNLESS OTHERWISE STATED 1 DECIMAL PLACE ± 2 DECIMAL PLACES ± ANGULAR ±1°			
		IMPERIAL GENERAL TOLERANCES ±0.010 ARE FOR REFERENCE UNLESS OTHERWISE STATED 1 DECIMAL PLACE ± 2 DECIMAL PLACES ± ANGULAR ±1°			
MATERIAL:			COLOUR:		
NYLON 6/6 (RMS-174)			NATURAL		
TITLE:			PART No:		
WASHER			NWE-34815-MX		
DRG No:		NPR REF:			SIZE A4
04-119					
DRN	DATE	CHKD	DATE	SCALE	SHEET No
NJB	19/10/04	I.C	19/10/04	NTS	1 OF 1