

# Features

## Switching Regulator

- Efficiency up to 93%, no need for heatsinks
- High voltage input range, up to 50V
- Short Circuit Protection, Thermal Shutdown
- All-in-one solution, no external components required

### Description

The R-78HBxx/W-Series high efficiency, high input voltage switching regulators are ideally suited to replace 78xx linear regulators. The efficiency of up to 93% means that very little energy is wasted as heat so there is no need for any heat sinks with their additional space and mounting costs. A wide input voltage range allows the full stored energy utilization of standard 12, 24 and 36V batteries as well as COB LED drivers. No external components are required to make a complete regulated, short-circuit protected supply. A built-in protection diode allows high capacitive loads. Typical applications include Auxiliary fan CV power supplies powered from CC LED drivers, industrial, aerospace and battery powered applications.

### Selection Guide

Part Number	Input Voltage Range (VDC)	Output Voltage (VDC)	Output Current (mA)	Efficiency typ @ min Vin. (%)	Max. Capacitive Load <sup>(1)</sup> (µF)
R-78HB5.0-0.5/W	9-48	5.0	0.5	86	100/6800
R-78HB12-0.5/W	17-48	12	0.5	93	100/6800

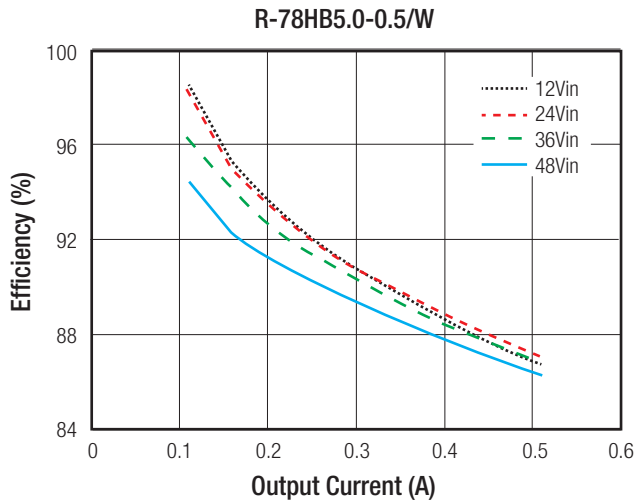
#### Notes:

Note1: with normal start-up time and no external components = 100µF  
with <1S start-up time = 6800µF

### Specifications (measured at TA= 25°C, full load, nominal input voltage and after warm-up)

BASIC CHARACTERISTICS					
Parameter	Condition	Min.	Typ.	Max.	
Input Voltage Range	5Vout	9VDC	48VDC	50VDC	
	12Vout	17VDC	48VDC	50VDC	
Short Circuit Input Current			15mA	25mA	
Quiescent Current	Vin = 48VDC, 10% load	1mA		5mA	
Internal Power Dissipation			0.65W		
Operating Frequency Range	full load	120kHz		800kHz	
Efficiency					see Selection Guide
Output Ripple and Noise			20mVp-p	60mVp-p	

### Efficiency vs. Load



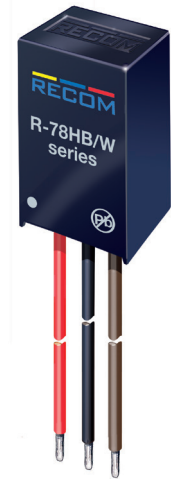
continued on next page

# RECOM

DC/DC Converter

## R-78HB/W

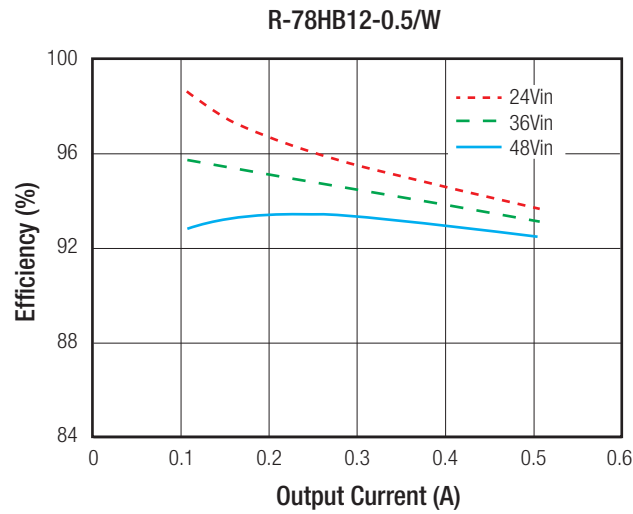
### 0.5 AMP SIP3 Wired Single Output



IEC-60950-1  
EN-60950-1  
EN-55022

Specifications (measured at  $T_A = 25^\circ\text{C}$ , full load, nominal input voltage and after warm-up)

**Efficiency vs. Load**



**Notes:**

Note2: Operation under no load will not damage the devices, however they may not meet all specifications. A minimum load of 10mA is recommended

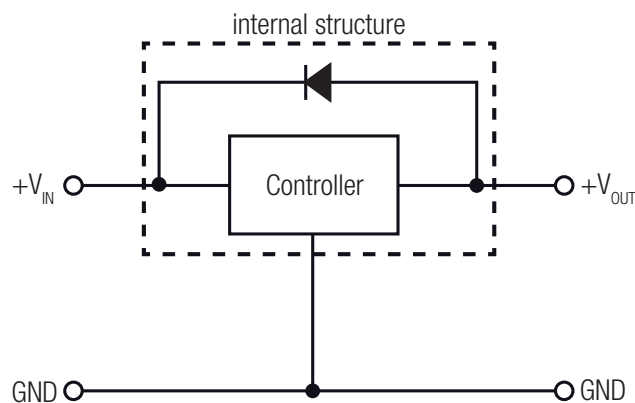
**REGULATIONS**

Parameter	Condition	Value
Output Voltage Accuracy	100% load	$\pm 2\%$ typ. / $\pm 3\%$ max.
Line Voltage Regulation	$V_{in} = \text{min. to max.}$ , full load	0.4% typ. / 1% max.
Load Voltage Regulation	10% to 100% load	0.3% typ. / 0.6% max.
Dynamic Load Stability	with 100 $\mu\text{F}$ output Capacitor, 100% $\leftrightarrow$ 50% load	$\pm 75\text{mV}$ typ. / $\pm 100\text{mV}$ max.

**PROTECTIONS**

Parameter	Condition	Value
Internal Input Filter		1 $\mu\text{F}$ Capacitor
Short Circuit Protection (SCP)		continuous, automatic recovery

**Optional Protection Circuit**

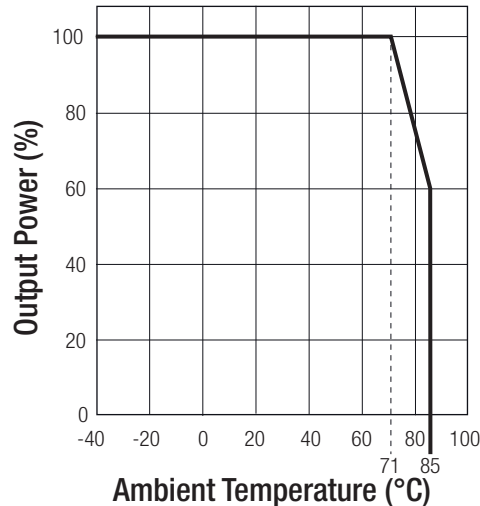


**Specifications** (measured at T<sub>A</sub>= 25°C, full load, nominal input voltage and after warm-up)

**ENVIRONMENTAL**

Parameter	Condition	Value
Operating Temperature Range	with derating (see graph)	-40°C to +85°C
Maximum Case Temperature		+100°C
Case Thermal Impedance		55°C/W
MTBF	MIL-HDBK 217F, +25°C	7395 x 10 <sup>3</sup> hours
	MIL-HDBK 217F, +71°C	1242 x 10 <sup>3</sup> hours

**Derating Graph**



**SAFETY AND CERTIFICATIONS**

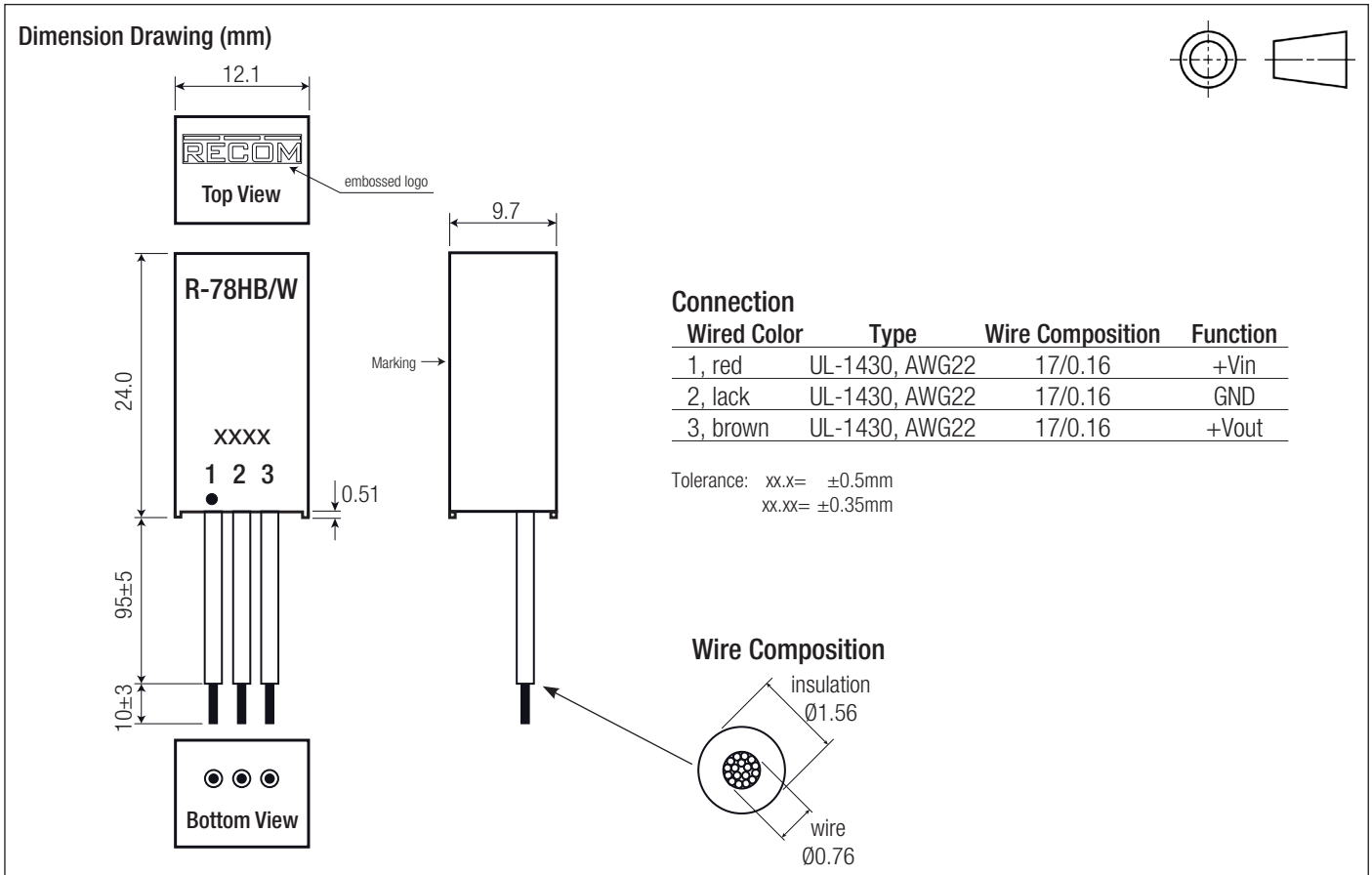
Certificate Type	Report / File Number	Standard
IEC/EN General Safety	SPCLVD1407030-1	IEC/EN-60950-1, 2nd Edition
EMI Compliance	Condition	Standard / Criterion
EMC Conducted and Radiated		EN55022, Class B
ESD		EN61000-4-2, Criteria A

**DIMENSION and PHYSICAL CHARACTERISTICS**

Parameter	Type	Value
Case Material		non-conductive black plastic (UL94V-0)
Potting Material		epoxy (UL94V-0)
Package Dimension (LxWxH)		12.1 x 9.7 x 24.0mm
Package Weight		4.5g

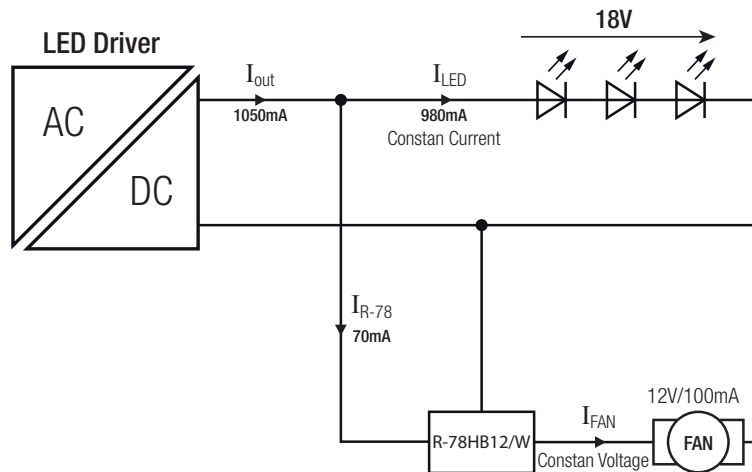
continued on next page

Specifications (measured at  $T_A = 25^\circ\text{C}$ , full load, nominal input voltage and after warm-up)



### APPLICATION

#### Standard Application



### PACKAGING INFORMATION

Packaging Dimension (LxWxH)	cardboard box	140.0 x 130.0 x 65.0mm
Packaging Quantity		25pcs
Storage Temperature Range		-55°C to +125°C
Storage Humidity	non-condensing	95%, RH max.

The product information and specifications are subject to change without prior notice. RECOM products are not authorized for use in safety-critical applications (such as life support) without RECOM's explicit written consent. A safety-critical application is defined as an application where a failure of a RECOM product may reasonably be expected to endanger or cause loss of life, inflict bodily harm or damage property. The buyer shall indemnify and hold harmless RECOM, its affiliated companies and its representatives against any damage claims in connection with the unauthorized use of RECOM products in such safety-critical applications.