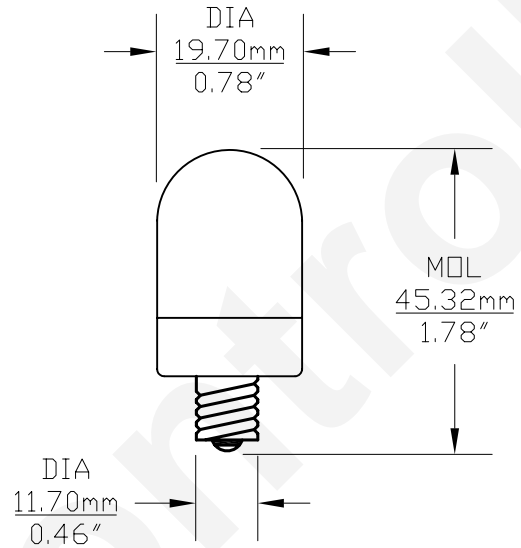


PART NO.	BASE TYPE	DESIGN VOLTS	DESIGN AMPS	DESIGN WATTS	AVERAGE LIFE HOURS
LM2006CS	CANDELABRA SCREW	* 6.3 VDC	30mA	0.72 W	100,000

* BI-POLAR
OPERATIONAL VOLTAGE
5.67 - 6.93 VDC



REVISIONS			
REV	DESCRIPTION	DATE	APPROVED
1	ISSUED	11/29/2004	D.C.
2	BI-POLAR, OPERATIONAL VOLTAGE	06/24/2008	D.C.

COLOR	PART NUMBER	LUMENS
RED	LM2006CS-R	3.15
AMBER	LM2006CS-A	1.54
WHITE	LM2006CS-W	2.80
BLUE	LM2006CS-B	0.80
GREEN	LM2006CS-G	3.50
WARM WHITE	LM2006CS-WW	2.20

UNLESS OTHERWISE SPECIFIED: DIMENSIONS ARE IN INCHES TOLERANCES		CEC INDUSTRIES LTD		
DECIMALS .XX ± .05 .XXX ± .010 FRACTIONAL ± 1/64		599 BOND STREET		LINCOLNSHIRE IL 60069
DRAWN D. C.		TITLE TRUE 360° LED MINIATURE CANDELABRA BASE LAMP 6.3 VOLT DC		
DATE 11/29/2004		SIZE A	FSCM NO.	DWG NO. LM2006CS
CHECKED		SCALE		REV 2
DESIGN		PLOT SCALE		SHEET 1 OF 1
MATERIAL		FILE LM2006CS.dwg	DO NOT SCALE DRAWING	