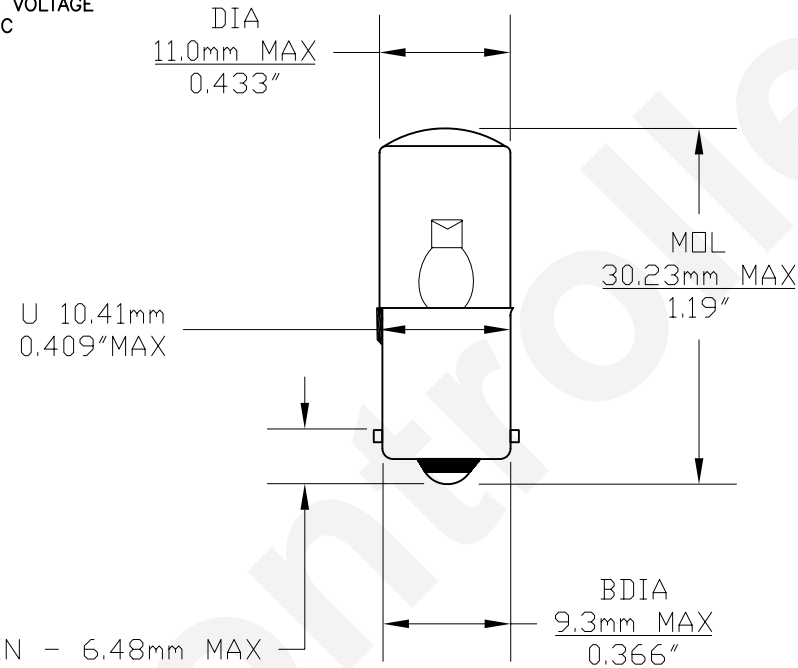


PART NO.	BASE TYPE	DESIGN VOLTS	DESIGN AMPS	AVERAGE LIFE HOURS
LM1024MB	MINIATURE BAYONET	* 24 VDC	30mA	100,000

\* BI-POLAR  
OPERATIONAL VOLTAGE  
21.6-24.5VDC



REVISIONS			
REV	DESCRIPTION	DATE	APPROVED
1	ISSUED	01/21/2005	D.C.
2	OPERATIONAL VOLTAGE	06/06/2008	D.C.
3	OPERATIONAL VOLTAGE ±10%	06/23/2008	D.C.
4	24.5VDC MAX.	06/29/2009	D.C.

COLOR	PART NUMBER	LUMEN
RED	LM1024MB-R	3.80
AMBER	LM1024MB-A	1.85
WHITE	LM1024MB-W	3.10
BLUE	LM1024MB-B	0.88
GREEN	LM1024MB-G	3.85
WARM WHITE	LM1024MB-WW	2.50

UNLESS OTHERWISE SPECIFIED: DIMENSIONS ARE IN INCHES TOLERANCES		CEC INDUSTRIES LTD		
DECIMALS .XX ± .05		599 Bond Street		
ANGULAR ° .XXX ± .010		Lincolnshire IL 60069		
FRACTIONAL ±1/64		TITLE		
DRAWN D. C.		TRUE 360° LED MINIATURE BAYONET BASE LAMP		
DATE 01/21/2005		24 VOLT DC		
CHECKED		SIZE A	FSCM NO.	DWG NO. LM1024MB
DESIGN		SCALE	PLOT SCALE	SHEET 1 OF 1
MATERIAL		FILE LM1024MB.DWG	DO NOT SCALE DRAWING	
			REV 4	