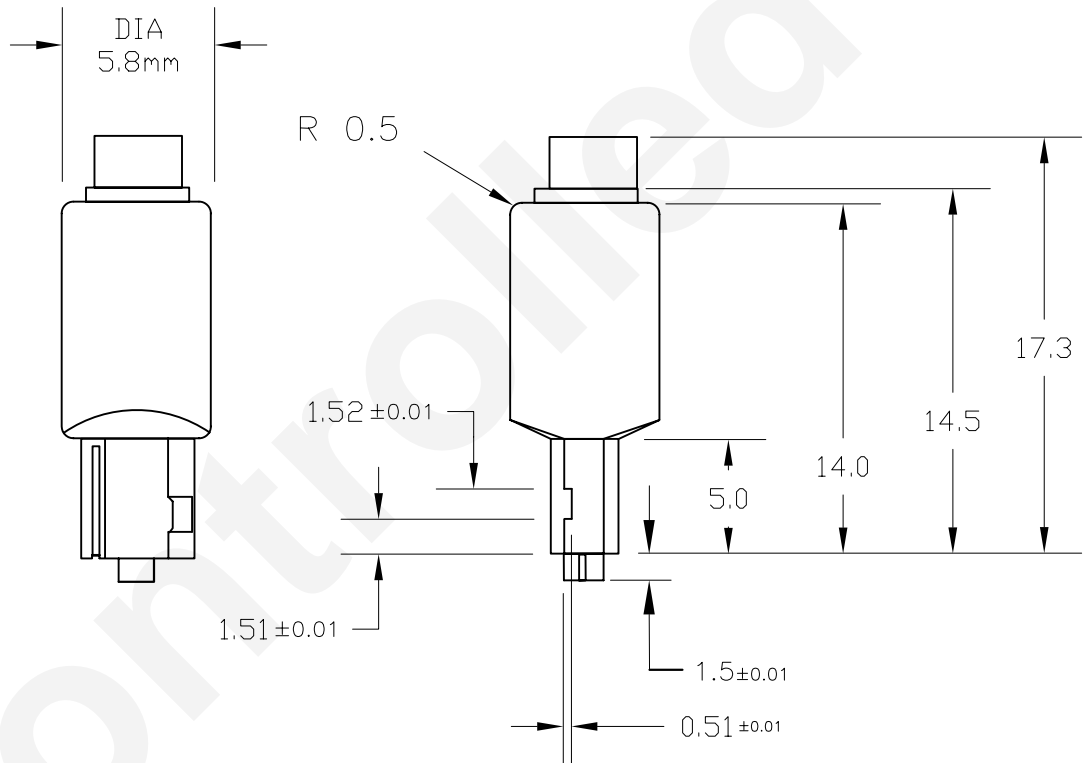
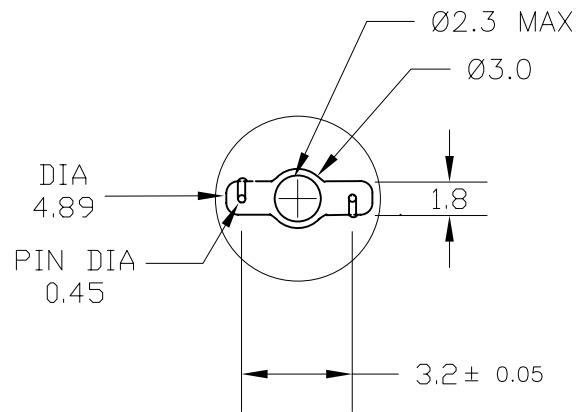


PART NO.	BASE TYPE	DESIGN VOLTS	DESIGN AMPS	AVERAGE LIFE HOURS
LM0512WB	T1 3/4 WEDGE	* 12.8 VDC	20mA	100,000

* BI-POLAR
OPERATIONAL VOLTAGE
11.52 - 14.08 VDC

REVISIONS			
REV	DESCRIPTION	DATE	APPROVED
1	CORRECTED CATALOG NUMBERS AND BASE CONFIGURATION	12/06/2004	D.C.
2	BI-POLAR, OPERATIONAL VOLTAGE	06/19/2008	D.C.



ALL DIMENSIONS ARE IN MILLIMETERS, UNLESS OTHERWISE STATED, TOLERANCE IS ± 0.5mm

COLOR	PART NUMBER	LUMEN
RED	LM0512WB-R	1.50
AMBER	LM0512WB-A	1.00
WHITE	LM0512WB-W	0.55
BLUE	LM0512WB-B	0.50
GREEN	LM0512WB-G	2.00
WARM WHITE	LM0512WB-WW	0.45

UNLESS OTHERWISE SPECIFIED:
DIMENSIONS ARE IN INCHES
TOLERANCES

DECIMALS	ANGULAR
.XX ± .05	± 0.5°
.XXX ± .010	
FRACTIONAL	± 1/64

DRAWN Anna Soloveychik	DATE 02/17/2004
---------------------------	--------------------

CHECKED	
---------	--

DESIGN	
--------	--

MATERIAL	
----------	--

CEC INDUSTRIES LTD

599 BOND STREET

LINCOLNSHIRE IL 60069

TITLE
TRUE 360° LED MINIATURE WEDGE BASE LAMP
12.8 VOLT DC

SIZE A	FSCM NO.	DWG NO. LM0512WB	REV 2
-----------	----------	---------------------	----------

SCALE	PLOT SCALE	SHEET 1 OF 1
-------	------------	--------------

FILE LM0512WB.dwg	DO NOT SCALE DRAWING
----------------------	----------------------