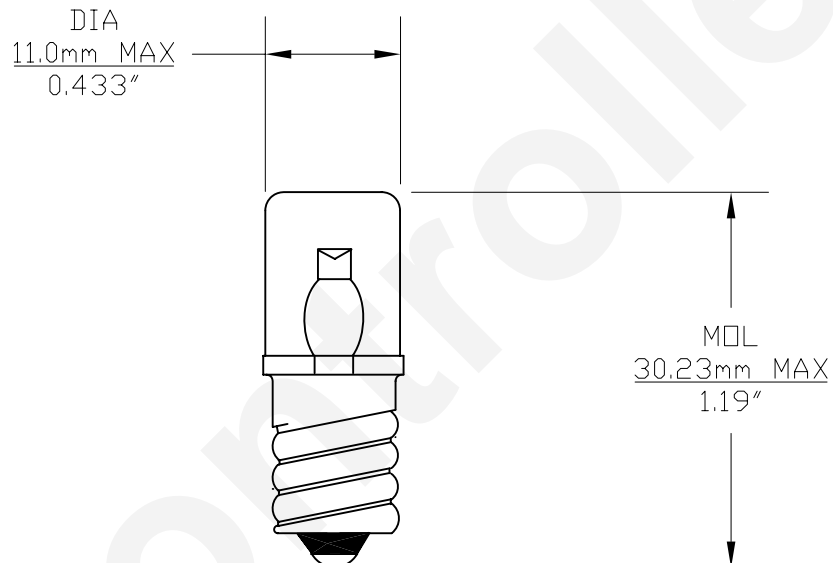


PART NO.	BASE TYPE	DESIGN VOLTS	DESIGN AMPS	AVERAGE LIFE HOURS
LM1012MS	MINIATURE SCREW	* 12.8 VDC	30 - 56 mA	100,000

* BI-POLAR
OPERATIONAL VOLTAGE
11.52 - 14.08 VDC

REVISIONS			
REV	DESCRIPTION	DATE	APPROVED
1	ISSUED	12/31/2003	A.S.
2	BI-POLAR, OPERATIONAL VOLTAGE	06/23/2008	D.C.



COLOR	PART NUMBER	LUMEN
RED	LM1012MS-R	3.80
AMBER	LM1012MS-A	1.85
WHITE	LM1012MS-W	3.10
BLUE	LM1012MS-B	0.88
GREEN	LM1012MS-G	3.85
WARM WHITE	LM1012MS-WW	2.50

UNLESS OTHERWISE SPECIFIED: DIMENSIONS ARE IN INCHES TOLERANCES		CEC INDUSTRIES LTD	
DECIMALS .XX ± .05 .XXX ± .010 FRACTIONAL ±1/64		599 BOND STREET LINCOLNSHIRE IL 60069	
DRAWN Anna Soloveychik		TITLE TRUE 360° LED MINIATURE SCREW BASE LAMP 12.8 VOLT DC	
DATE 12/31/2003		DWG NO. LM1012MS	
CHECKED		SIZE A	REV 2
DESIGN		SCALE	PLOT SCALE SHEET 1 OF 1
MATERIAL		FILE LM1012MS.dwg	DO NOT SCALE DRAWING