

80 mm sq.

San Ace 80

15mm thick (9GA type), 15mm thick (9P type), 20mm thick (9GA type)
 20mm thick (9P type), 25mm thick (9GA type), 25mm thick (9S type)
 25mm thick (9GV type), 25mm thick (9R type)
 25mm thick (San Cooler) (9A type), 32mm thick (9GA type)
 32mm thick (9P type), 38mm thick (9HV type), 38mm thick (9GA type)
 38mm thick (9GV type), 38mm thick (9G type)



General Specifications

- Material Frame: Plastics (Flammability: UL94V-0),
Impeller: Plastics (Flammability: UL94V-0)
- Expected Life Refer to specifications (L10: Survival rate: 90% at 60°C ,
rated voltage, and continuously run in a free air state)
- Lead Wire ⊕red ⊖black (Sensor) yellow (Control) brown
- Storage Temperature -30°C to +70°C (Non-condensing)

80×80×20mm (Mass : 80g) **9GA type** **Low Power Consumption Fan**



Specifications

The following nos. have PWM controls, pulse sensors, and ribs.

Model No.	Rated Voltage [V]	Operating Voltage Range [V]	PWM duty cycle ^{Note1)2)} [%]	Rated Current [A]	Rated Input [W]	Rated Speed [min ⁻¹]	Max. Airflow [m ³ /min] [CFM]	Max. Static Pressure [Pa] [inchH ₂ O]	SPL [dB(A)]	Operating Temperature [°C]	Expected Life ^{Note2)} [h]
9GA0812P6G001	12	10.2 to 13.8	100	0.3	3.6	5,850	1.72 60.78	110 0.44	45	-20 to +70	40,000/60°C (70,000/40°C)
9GA0812P6M001				0.06	0.72	2,900	0.84 29.68	27 0.11	26.5		60,000/60°C
9GA0824P6G001	24	20.4 to 27.6	100	0.15	3.6	5,850	1.72 60.78	110 0.44	45		40,000/60°C (70,000/40°C)
9GA0824P6M001				0.03	0.72	2,900	0.84 29.68	27 0.11	26.5		60,000/60°C

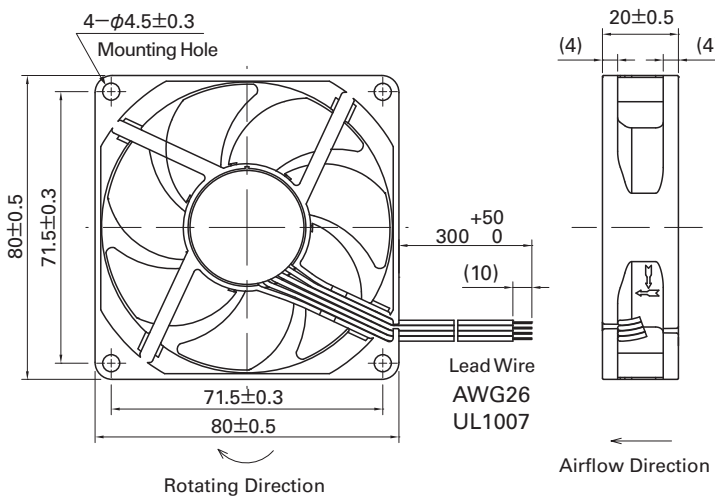
Note 1: Does not rotate when PWM duty cycle is 0%.

Note 2: Expected life at 40°C ambient is just reference value.

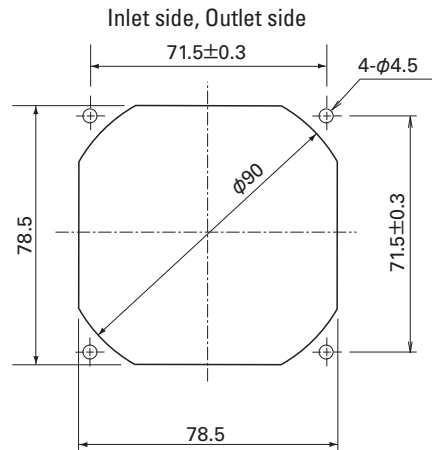
※PWM Frequency : 25kHz

Some models can also be equipped without sensors or with pulse sensors (no PWM control functions) as an option. Please refer to the index (pp. 417 to 437).

Dimensions (unit : mm)



Reference Dimension of Mounting Holes and Vent Opening (unit : mm)

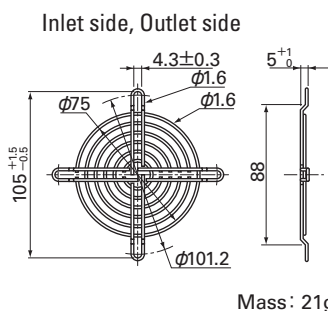
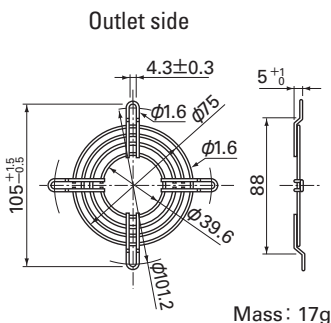


Options (unit : mm)

Finger Guards

Model : 109-049C Surface treatment : Nickel-chrome plating (silver) Color

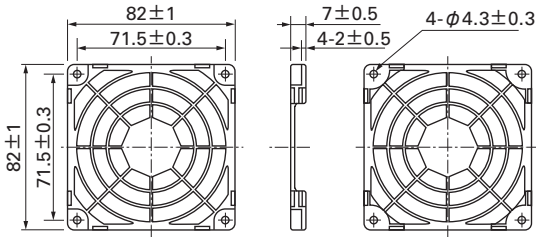
Model : 109-049E Surface treatment : Nickel-chrome plating (silver) Color
 : 109-049H : Cation electropainting (black)



Options (unit : mm)

Resin Finger Guards

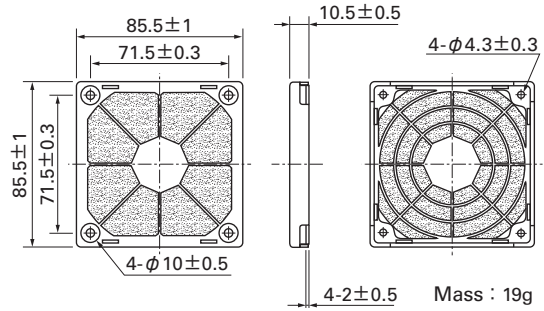
Model : 109-1002G



Mass : 10g

Resin Filter Kits

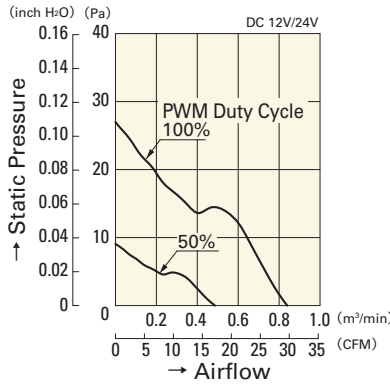
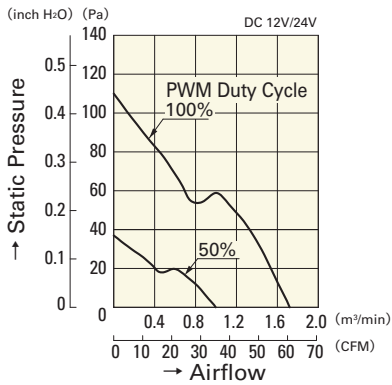
Model : 109-1002F13 (13PPI), 109-1002F20 (20PPI)
: 109-1002F30 (30PPI), 109-1002F40 (40PPI)



Mass : 19g

Airflow - Static Pressure Characteristics

PWM Duty Cycle



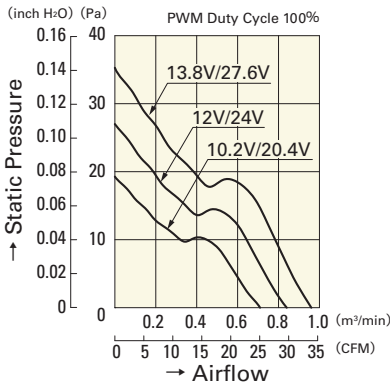
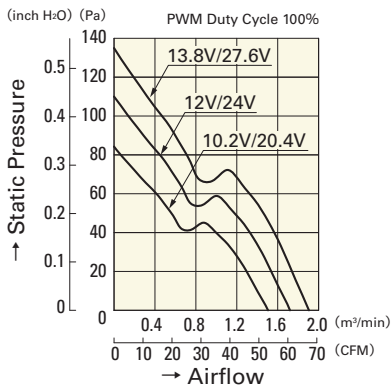
9GA0812P6G001

9GA0824P6G001

9GA0812P6M001

9GA0824P6M001

Operating Voltage Range



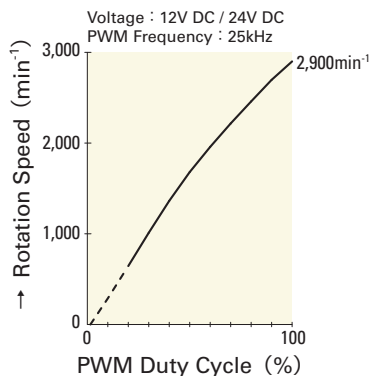
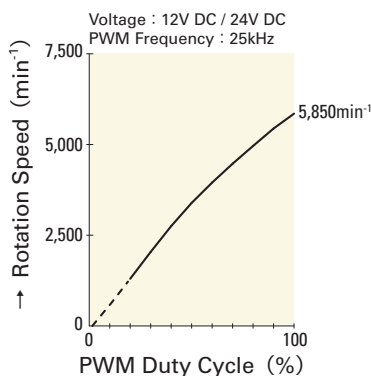
9GA0812P6G001

9GA0824P6G001

9GA0812P6M001

9GA0824P6M001

PWM Duty - Speed Characteristics Example



9GA0812P6G001

9GA0824P6G001

9GA0812P6M001

9GA0824P6M001