

Control- and isolating transformer USTE 400/2x115



Picture shows USTE 1000/2x115

Advantages

Universal input voltages 208 to 600 Vac
Very good switch-on behaviour thanks to reduced starting currents
High performance for the volume thanks to compact design
Very good corrosion protection and low noise thanks to BLOCKIMPEX vacuum impregnation
Quick to cable up thanks to the use of spring-loaded terminals
Contact protected screw connection terminals complying with UVV BGV A3
Simple mounting thanks to robust metal footplate with oval slots
Up to 250 VA with combination footplate for bolted and rail mounting

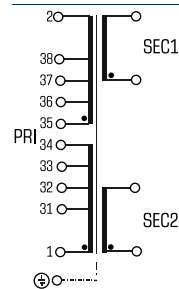
Applications

As a control transformer for the electrical isolation of the input and output sides. The construction of the transformer to supply control systems according to VDE 0113 is designed.

As an isolating transformer for the safe electrical isolation of the input and output sides. The transformer may be used to set up protective separation as a protective measure in accordance with VDE 0100.

As a safety isolating transformer for the safe electrical isolation of the input and output sides. The transformer is suitable for creating SELV and PELV circuits because of the limit on the output voltage.

Sample application



Standards



Control transformer
to: VDE 0570 Teil 2-2, DIN EN 61558-2-2, EN 61558-2-2, IEC 61558-2-2,
UL 5085-1/-2, CSA 22.2 No.66
Isolating transformer
to: VDE 0570 Part 2-4, DIN EN 61558-2-4, EN 61558-2-4, IEC 61558-2-4,
UL 5085-1/-2, CSA 22.2 No.66

Approvals



UL 5085-1/-2, CSA 22.2 No.66

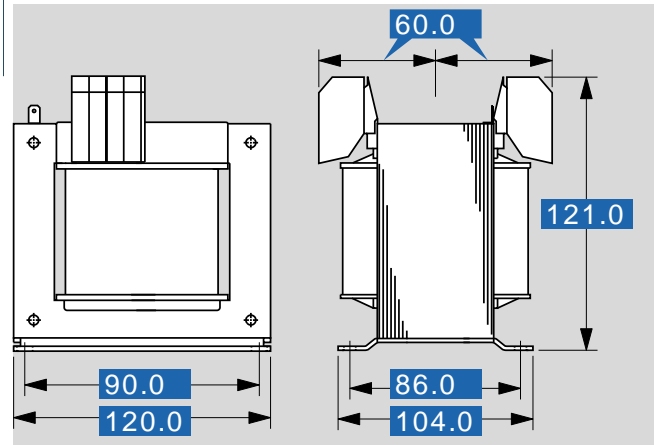


Control- and isolating transformer

USTE 400/2x115

Type		USTE 400/2x115	
Electrical data	Input		
	Rated input voltage	208 Vac/230 Vac/380 Vac 400 Vac/415 Vac/440 Vac 460 Vac/480 Vac/500 Vac 525 Vac/550 Vac/575 Vac 600 Vac	
	Rated frequency	50 - 60 Hz	
	Output		
	Rated output voltage	2 x 115 Vac	
	Rated power VDE (DB cos phi=1)	400 VA	
	Rated power VDE (KB cos phi=0.5)	1440 VA	
	No-load voltage (app. x factor)	1.05	
	Efficiency	92 %	
	Standards		
	Classification	Control- and isolating transformer	
	Approvals		
	Approvals	cURus	
	Environment		
	Ambient temperature max.	40 °C	
	Cooling method	self-cooling	
	Safety and protection		
	Type	Open type	
	Class of Insulation System	VDE=B, UL=class 130	
	Protection index	IP 00	
	Safety class (prepared)	I	
	Short circuit strength	non-short-circuit proof	
	PRI Fusing recommendation by circuit breaker with tripping characteristic type 20 x I _{rated} related to set)		
	Setting range 208 - 230 Vac	1.60 - 2.50 A	
	Setting value 208 - 230 Vac	2.10 A	
	Setting range 380 - 415 Vac	1.00 - 1.60 A	
	Setting value 380 - 415 Vac	1.10 A	
	Setting range 440 +20 Vac	1.00 - 1.60 A	
	Setting value 440 +20 Vac	1.00 A	
	Setting range 500 -20/+25 Vac	0.63 - 1.00 A	
	Setting value 500 -20/+25 Vac	0.90 A	
	Setting range 575 ±25 Vac	0.63 - 1.00 A	
	Setting value 575 ±25 Vac	0.81 A	
Order numbers			
Order Number	USTE 400/2x115		

Type		USTE 400/2x115
Mechanical data	Terminal and mounting	
	Fixing method	Base plate
	Fixing screws	M5
	Terminals	Spring terminals, PE 6.3 x 0.8
	Measures and weights	
	Weight	5.30 kg



Subjects to change.