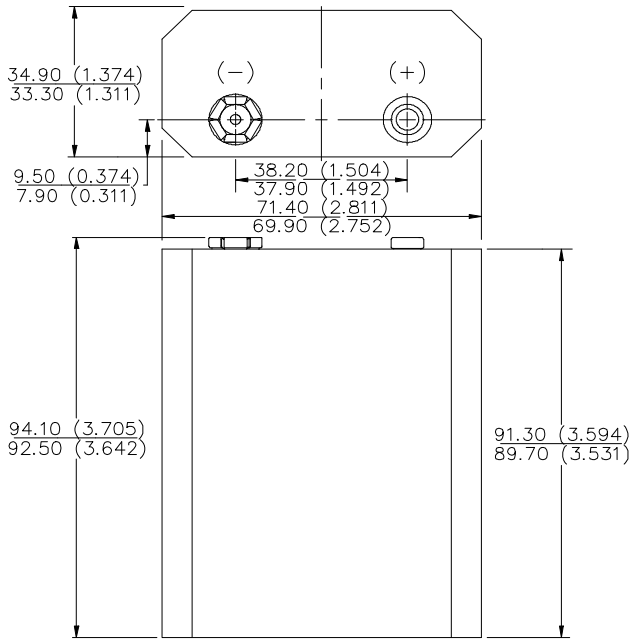


EVEREADY 467



Industry Standard Dimensions

mm (inches)



Chemical System: Zinc-Manganese Dioxide (Zn/MnO₂)

Designation: ANSI / NEDA-200, IEC-45F40

Battery Voltage: 67.5 Volts

Average Weight: 343 grams (12.1 oz.)

Volume: 228 cubic centimeters (13.9 cubic inch)

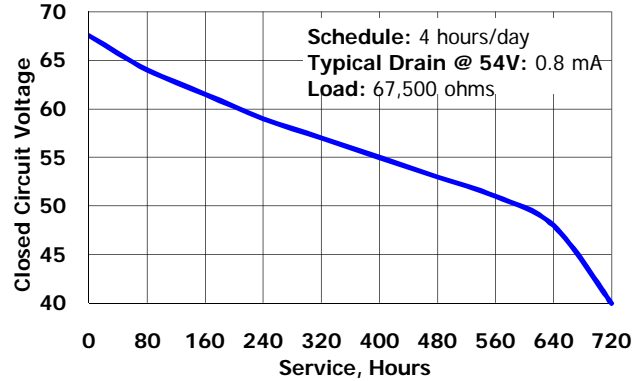
Average Capacity: 550 mAh to 0.8 volts/cell
(Rated at 25 mA continuous drain at 21°C)

Cells: Forty Five No. 130 in series

Jacket: Paper

TYPICAL DISCHARGE CURVE

Simulated Test @ 21°C (70°F)



Simulated Application Test
Estimated Average Service at 21°C (70°F)

Schedule:	Typical Drains at 54V (milliamperes)	Load (ohms)	Cutoff Voltage				
			36V	40.5V	45V	49.5V	54V
4 hours/day	0.8	67,500	720	678	603	448	260
4 hours/day	7.2	7,500	62	66	42	28	11

Important Notice

This data sheet contains information specific to batteries manufactured at the time of its publication.

Contents herein do not constitute a warranty.

Copyright © Eveready Battery Co. Inc. - All Rights Reserved