



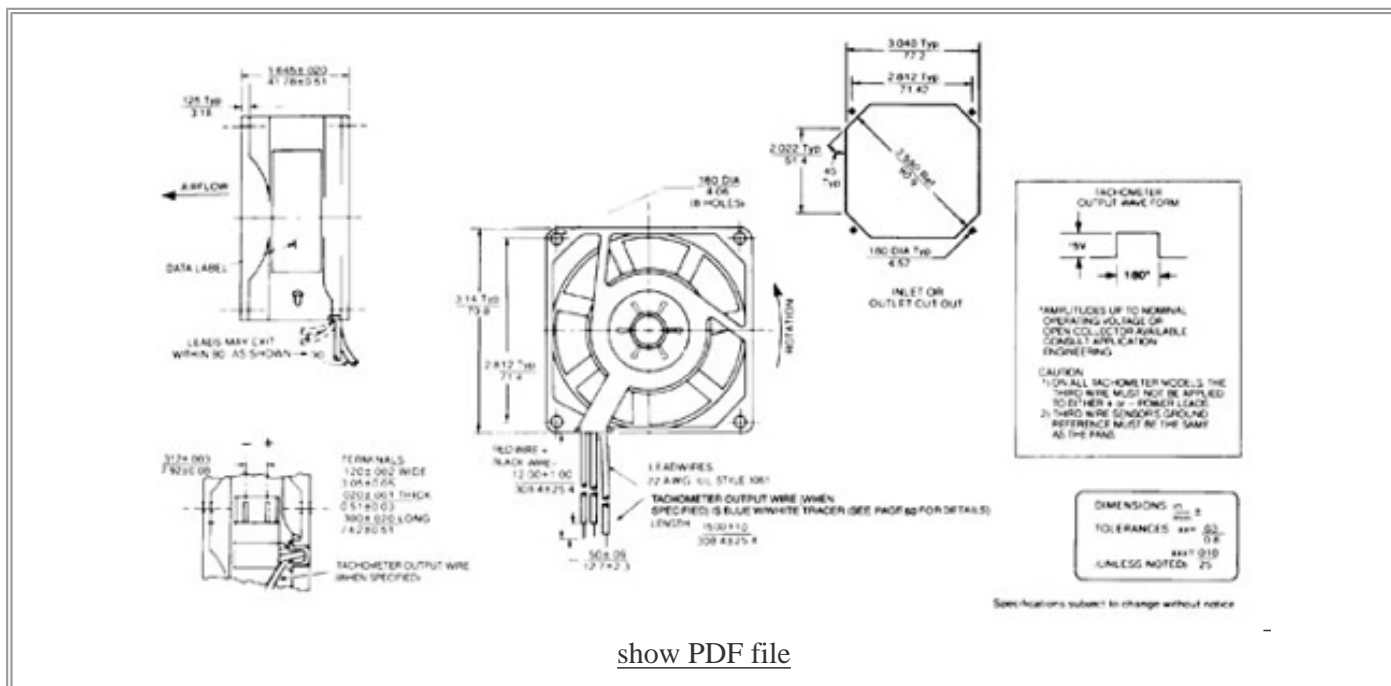
## Sprite DC (DC Fan)

COMAIR ROTRON PART NUMBER: **039029**  
 COMAIR ROTRON MODEL NUMBER: **SD24B5-E2**



MOTOR	
Rated Voltage:	24
Operating Voltage Range:	12 - 28
Running Current: 50Hz   60Hz (amps)	
Locked Rotor Current: (amps)	0.6
Rated Power: 50Hz   60Hz (watts)	
Nominal Speed: 50Hz   60Hz (rpm)	

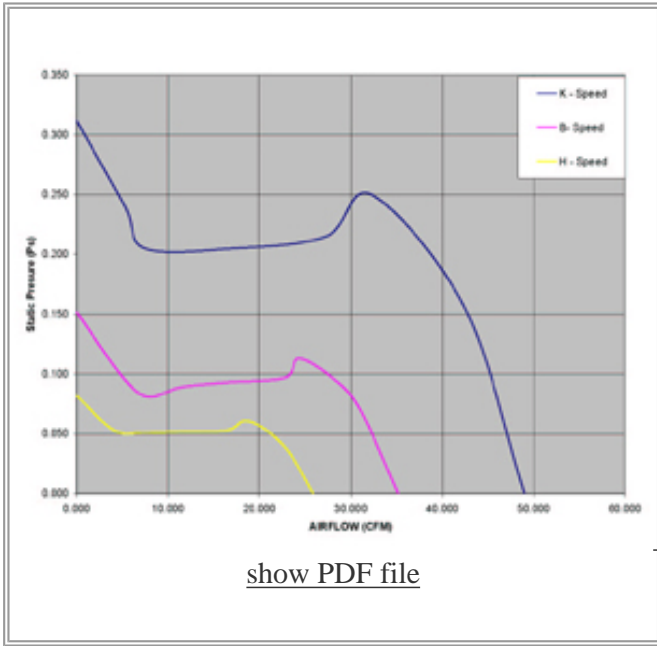
MECHANICAL	
Dimensions:	80mm x 42mm (3.15in x 1.645in)
Bearing Type:	Ball
Motor Base:	Metal
Propeller:	Polypropylene



[show PDF file](#)

### NOTES

5 Volt TTL Tachometer Output - One Pulse per Revolution, Environmentally Protected - Type 2



PERFORMANCE CHARACTERISTICS

Air Flow: (CFM)	35
Static Pressure:	.152

TERMINATION

Leadwires:	12" Leadwires
------------	---------------

SAFETY



All product names are used under license and are trademarks or registered trademarks of Comair Rotron, Inc.

[New Search](#)