



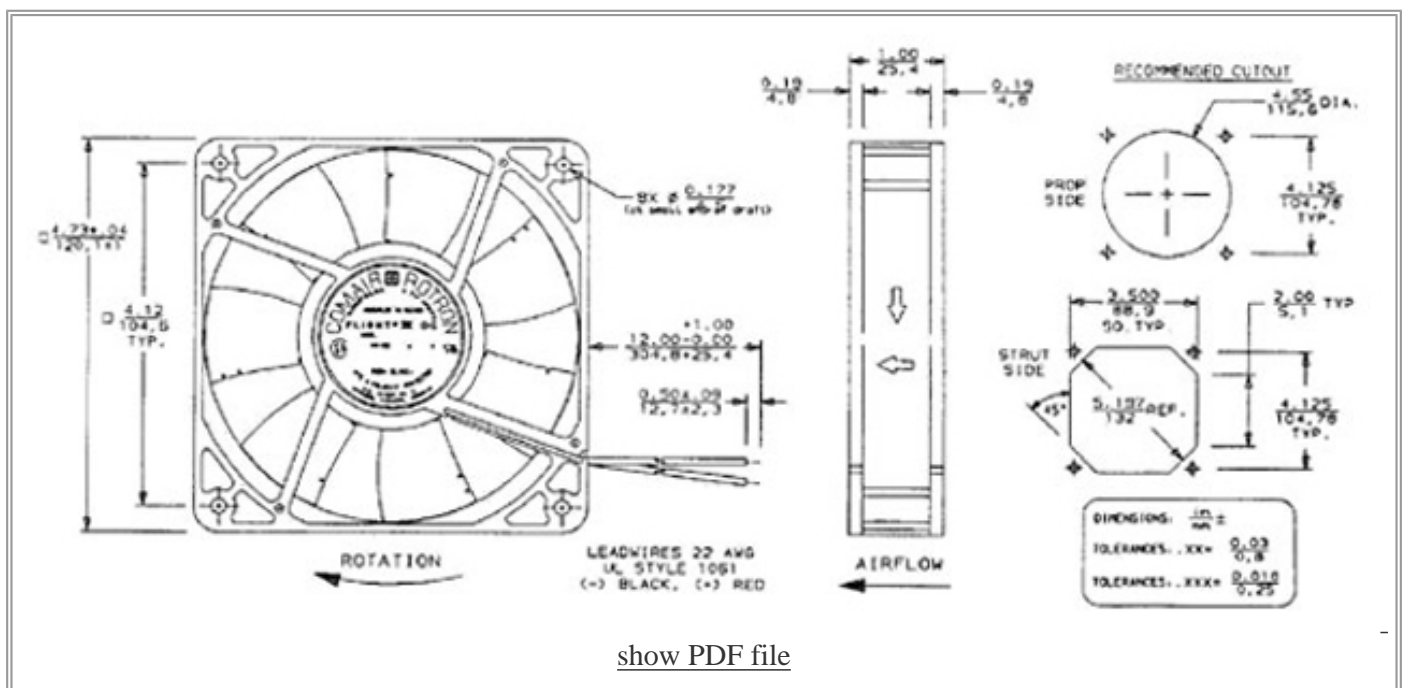
Flight II 120 (DC Fan)

COMAIR ROTRON PART NUMBER: **039272**
COMAIR ROTRON MODEL NUMBER: **FT24B3-E2**



MOTOR	
Rated Voltage:	24
Operating Voltage Range:	12 - 28
Running Current: 50Hz 60Hz (amps)	
Locked Rotor Current: (amps)	0.44
Rated Power: 50Hz 60Hz (watts)	
Nominal Speed: 50Hz 60Hz (rpm)	

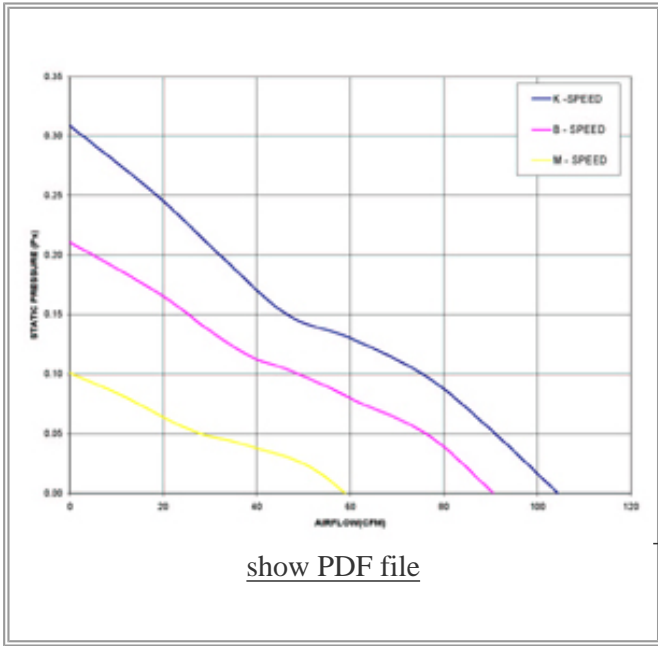
MECHANICAL	
Dimensions:	120mm x 25mm (4.72in x 1.00in)
Bearing Type:	Ball
Motor Base:	Polyphenylene Oxide (PPO), UL94V-0, Black
Propeller:	Polybutylene Terephthalate (PBT), UL94V-0, Black



[show PDF file](#)

NOTES

Environmentally Protected - Type 2



PERFORMANCE CHARACTERISTICS

Air Flow: (CFM) 90

Static Pressure: .211

TERMINATION

Leadwires: 12" Leadwires

SAFETY



All product names are used under license and are trademarks or registered trademarks of Comair Rotron, Inc.

[New Search](#)