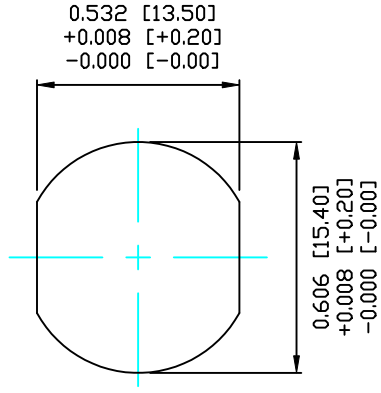


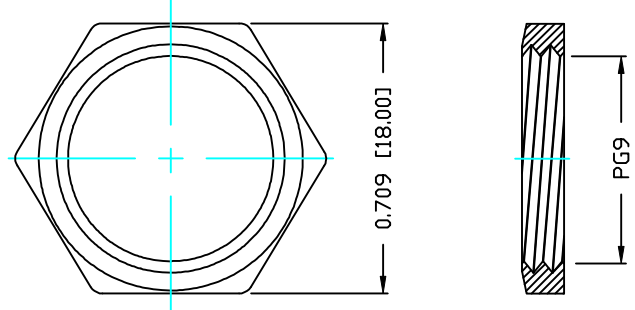
DESCRIPTION: M12 MALE - BOARD MOUNT - 5 POS.

NOTE:

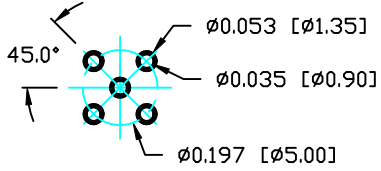
MATERIAL	
HOUSING:	PBT UL94V-0, BLACK
CONTACT:	BRASS
SHELL:	BRASS
NUT:	BRASS
O-RING A:	EDPM, BLACK
O-RING B:	NBR
FINISH	
CONTACT:	GOLD 10µ" MIN. OVER 50µ" NICKEL
SHELL:	NICKEL PLATED
NUT:	NICKEL PLATED
ELECTRICAL	
RATED CURRENT:	5A
RATED VOLTAGE:	125V
WATER PROOF:	IP67
ENVIRONMENT	
OPERATION TEMPERATURE:	-40°C TO +85°C



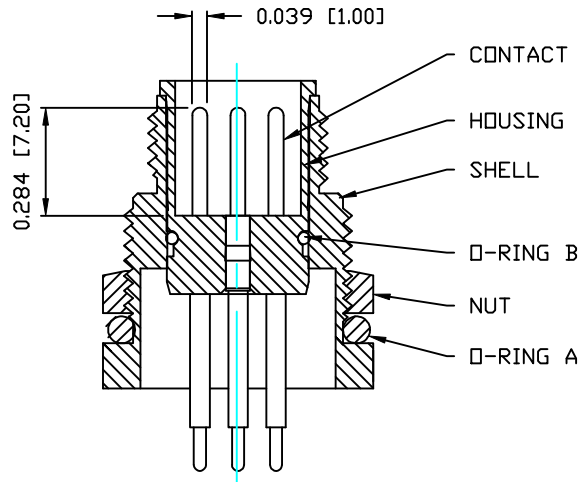
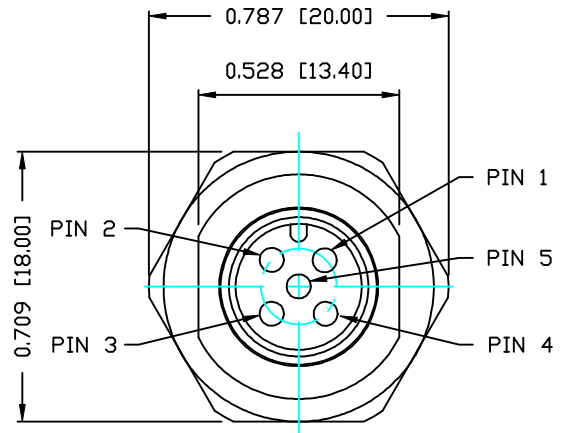
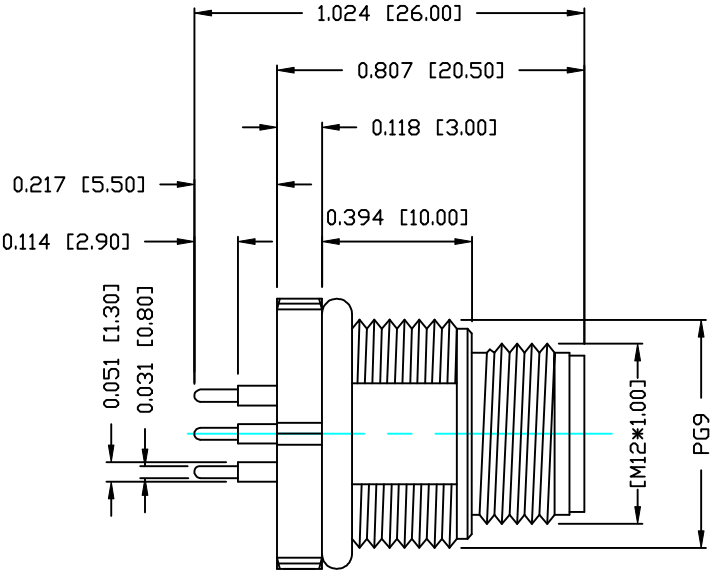
PANEL CUTOUT



NUT



PCB LAYOUT



RoHS COMPLIANT

DO NOT SCALE FROM DRAWING

	THESE DRAWINGS AND SPECIFICATIONS ARE THE PROPERTY OF NorComp AND SHALL NOT BE REPRODUCED, COPIED OR USED AS THE BASIS FOR THE MANUFACTURE OR SALE OF APPARATUS WITHOUT WRITTEN PERMISSION.	DRAWN: C. SMITH	DATE: 10-10-14	NorComp	SCALE: N.T.S.	SHEET 1 OF 1	REV 0
		CHECKED:	DATE:		DWG NO. 860-005-113R004		