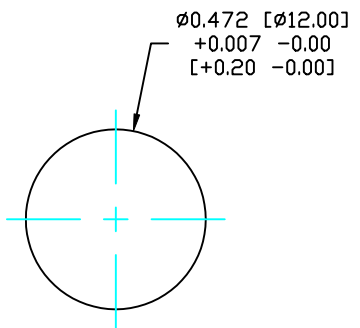


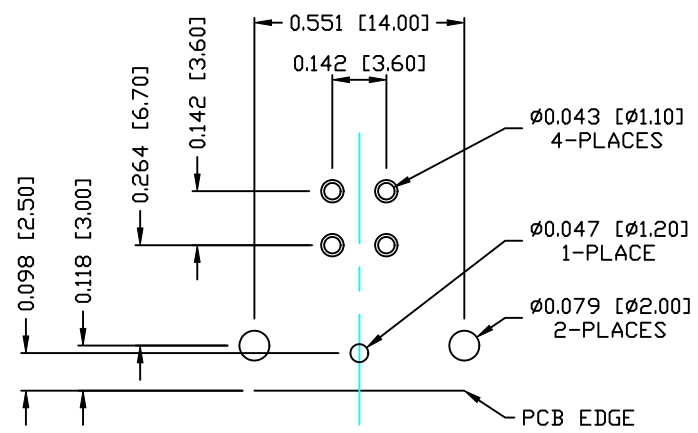
DESCRIPTION: M12 MALE - PANEL MOUNT (REAR) - PCB - 4 POS.

NOTE:

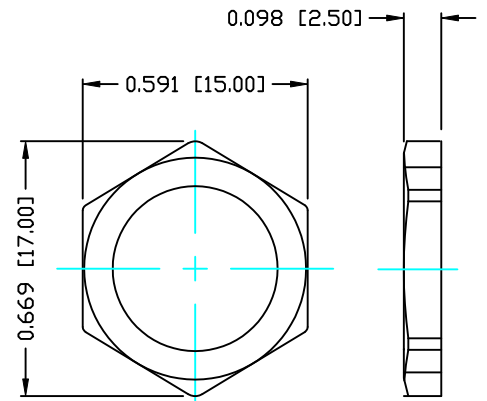
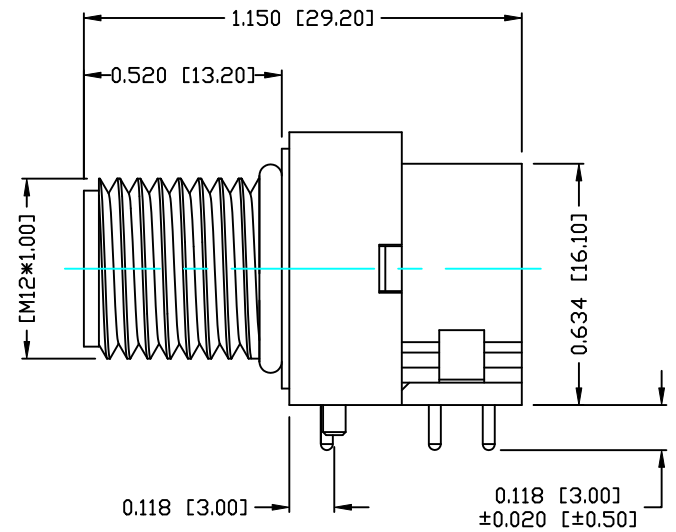
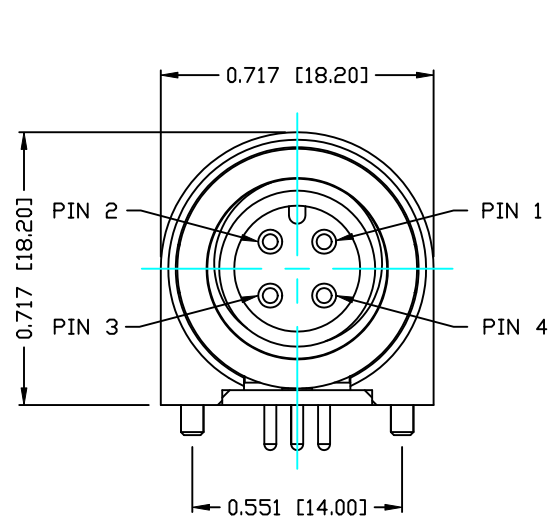
MATERIAL	
HOUSING:	PBT UL94V-0, BLACK
CONTACT:	BRASS
NUT:	BRASS
□-RING:	NRB, BLACK
BACK HOUSING:	PBT, UL94V-0, BLACK
DOWN HOUSING:	PBT, UL94V-0, BLACK
FINISH	
CONTACT:	GOLD 10µ MIN. OVER 50µ NICKEL
SHELL:	SATIN NICKEL 80µ TO 100µ OVER
ELECTRICAL	
RATED CURRENT:	5A
RATED VOLTAGE:	125V
WATER PROOF:	IP67
ENVIRONMENT	
OPERATION TEMPERATURE:	-40°C TO +85°C



PANEL CUTOUT



PCB LAYOUT



NUT

RoHS COMPLIANT

DO NOT SCALE FROM DRAWING



THESE DRAWINGS AND SPECIFICATIONS ARE THE PROPERTY OF NorComp AND SHALL NOT BE REPRODUCED, COPIED OR USED AS THE BASIS FOR THE MANUFACTURE OR SALE OF APPARATUS WITHOUT WRITTEN PERMISSION.

DRAWN:	C. SMITH	DATE:	09-05-14
CHECKED:		DATE:	

NorComp

SCALE:	N.T.S.	SHEET	1	OF	1	REV	0
DWG NO.	861-004-113R004						