



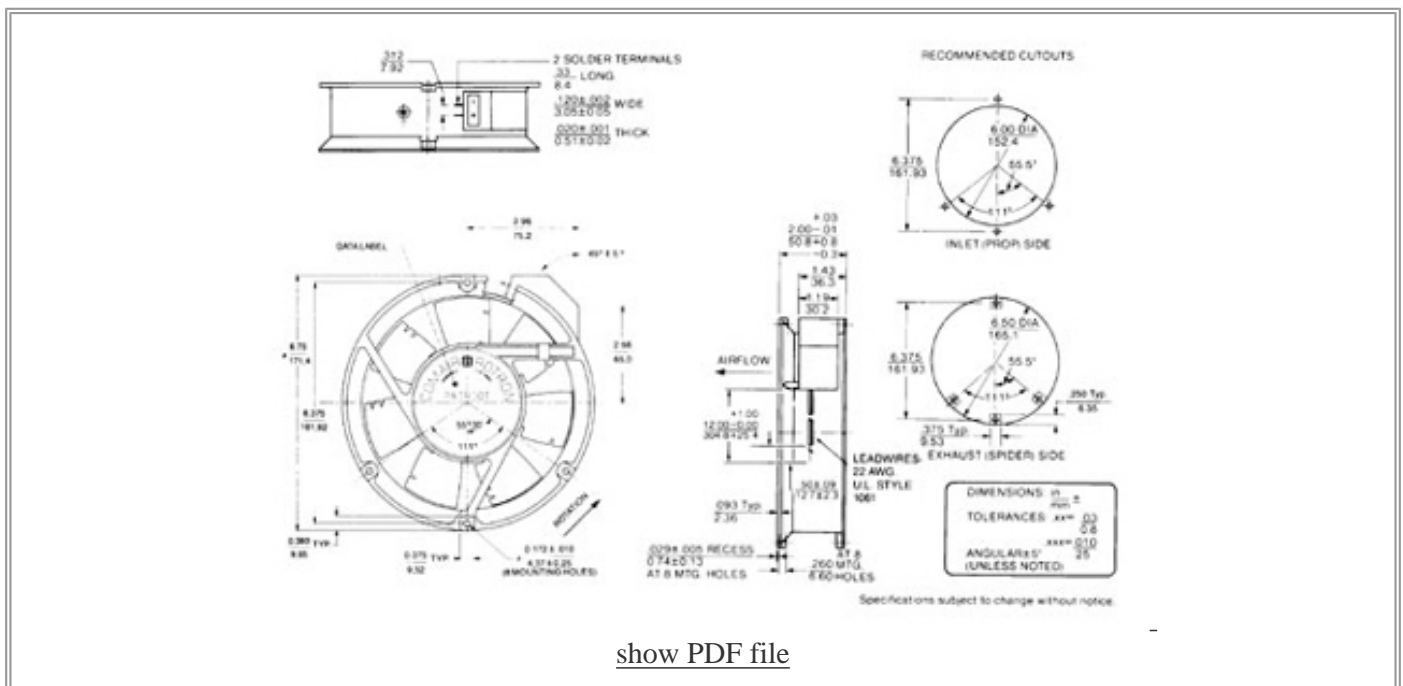
## Patriot DC - PD (DC Fan)

COMAIR ROTRON PART NUMBER: **030647**  
 COMAIR ROTRON MODEL NUMBER: **PD12T2H**



MOTOR	
Rated Voltage:	12
Operating Voltage Range:	6 - 14
Running Current: 50Hz   60Hz (amps)	
Locked Rotor Current: (amps)	4
Rated Power: 50Hz   60Hz (watts)	
Nominal Speed: 50Hz   60Hz (rpm)	

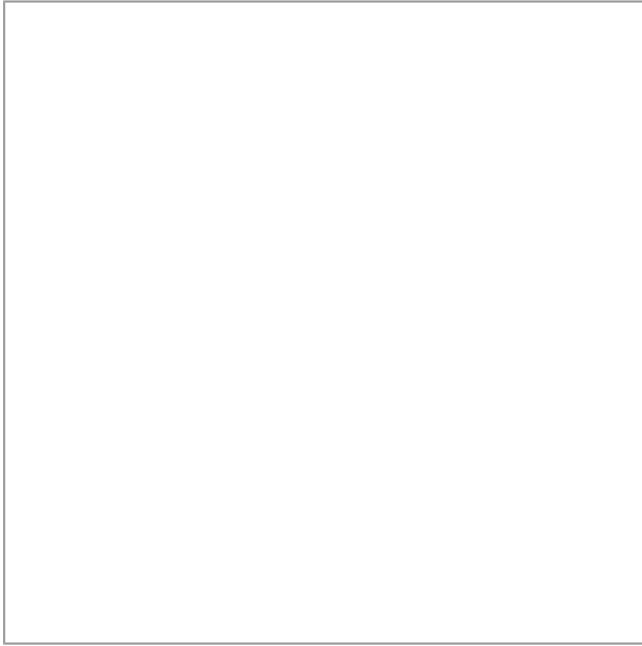
MECHANICAL	
Dimensions:	172mm x 51.0mm (6.75in x 2.00in)
Bearing Type:	
Motor Base:	Metal
Propeller:	Polycarbonate



[show PDF file](#)

### NOTES

Thermal Speed Control - PTC on 36" Zip Cord



PERFORMANCE CHARACTERISTICS

Air Flow: (CFM) no data

Static Pressure:

TERMINATION

Leadwires: Terminals

SAFETY



All product names are used under license and are trademarks or registered trademarks of Comair Rotron, Inc.

[New Search](#)