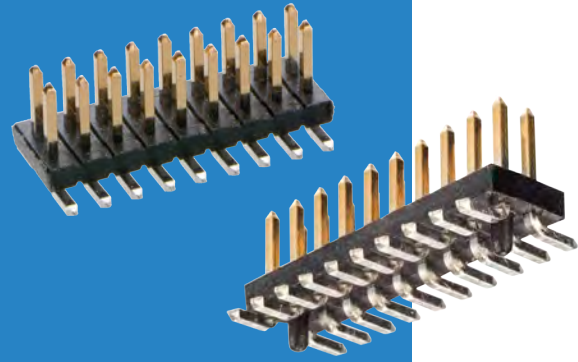


Archer Connectors – M50

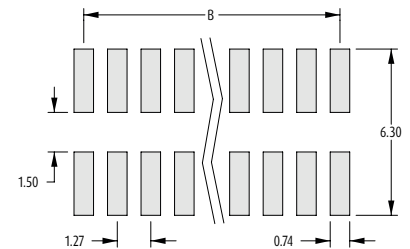
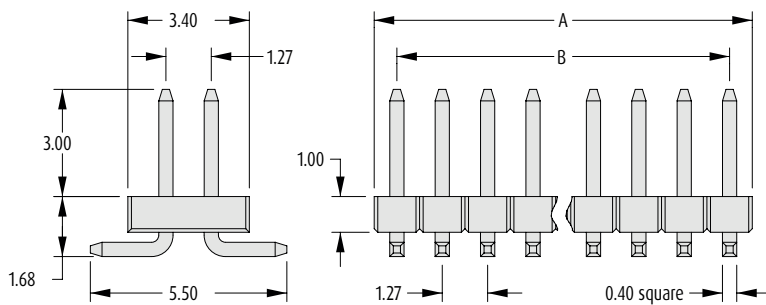


Male Vertical & Horizontal PC Tail

- Suitable for use with female connectors and jumper sockets on pages 104 to 107.
- Also available with variable dimensions, see page 109.
- Available with or without location posts.



WITHOUT POSTS

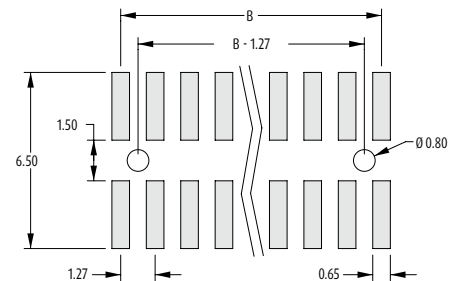
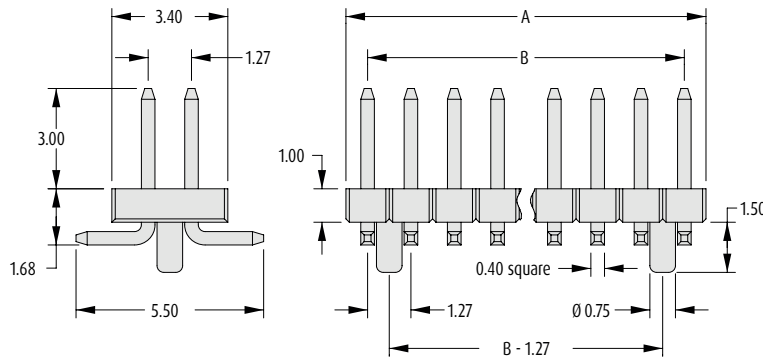


Recommended PC Board Pattern

CALCULATION

A	1.27 x No. of contacts per row
B	1.27 x (No. of contacts per row - 1)

WITH POSTS



Recommended PC Board Pattern

HOW TO ORDER

M50 - 3 6 X XX 42 X

SERIES CODE

TYPE

0	Without Posts
1	With Posts

NO. CONTACTS PER ROW

02 to 50	Without Posts
05 to 08, 10, 12, 15, 20, 25	With Posts

PACKAGING

Blank	Loose
R	Tape & Reeled (check website for available sizes)

FINISH

42	Gold + Tin
-----------	------------

All dimensions in mm.