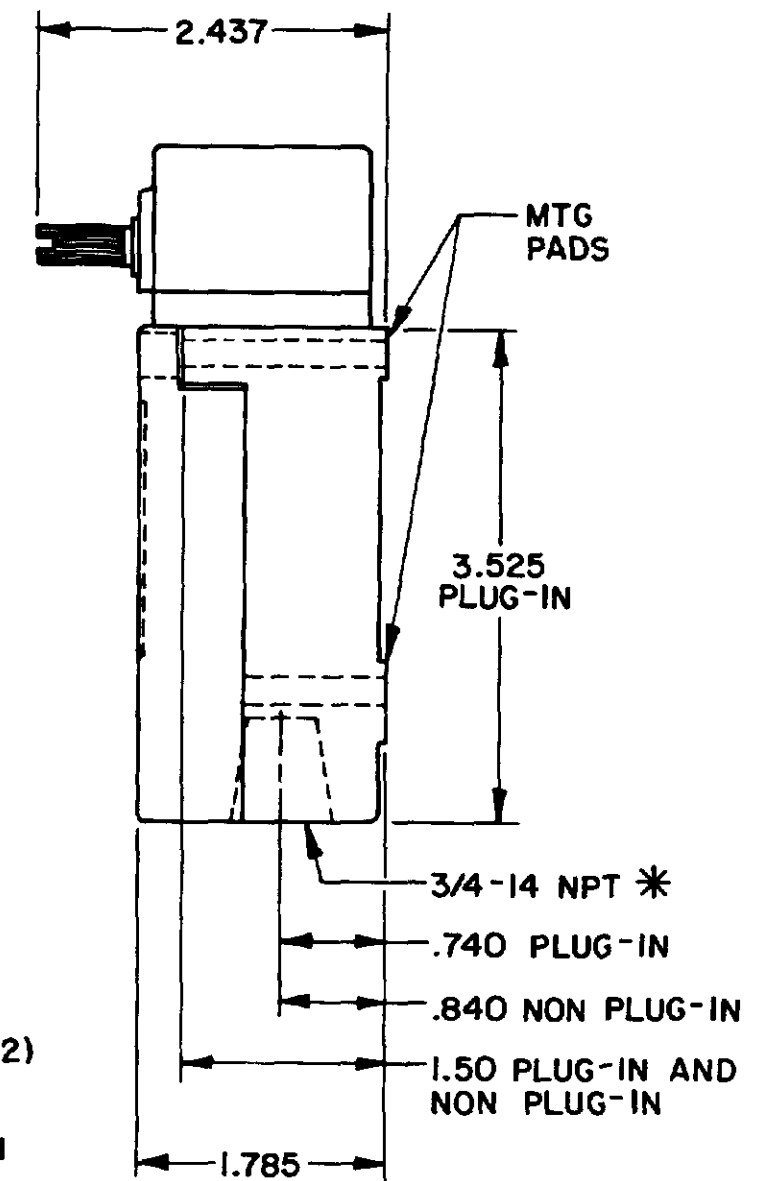
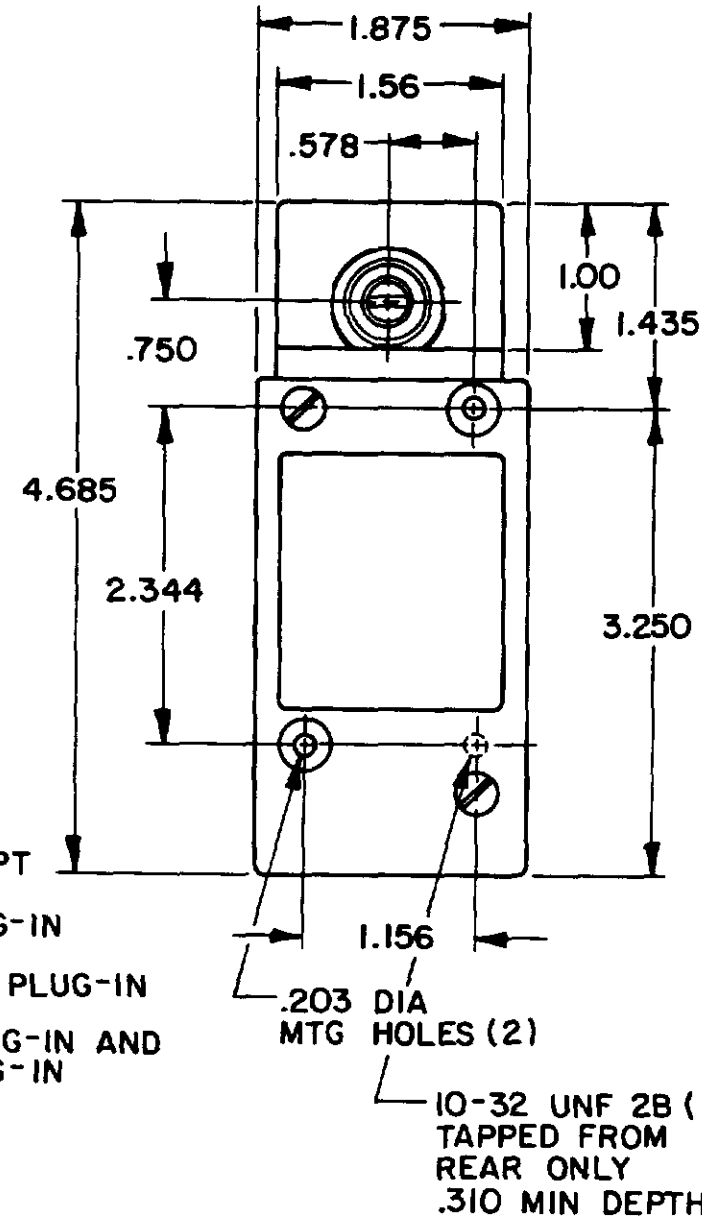
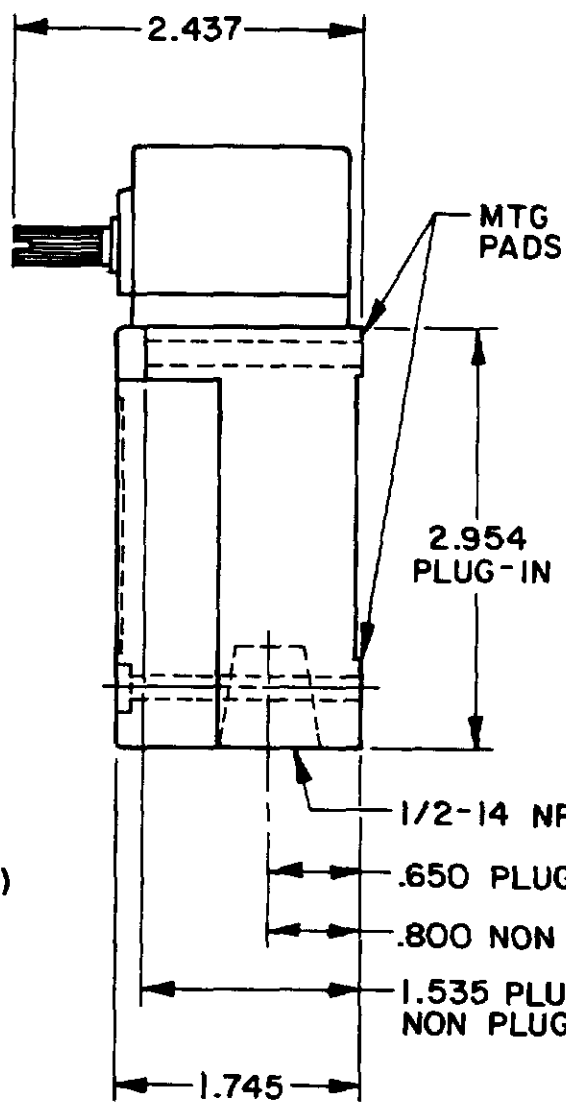
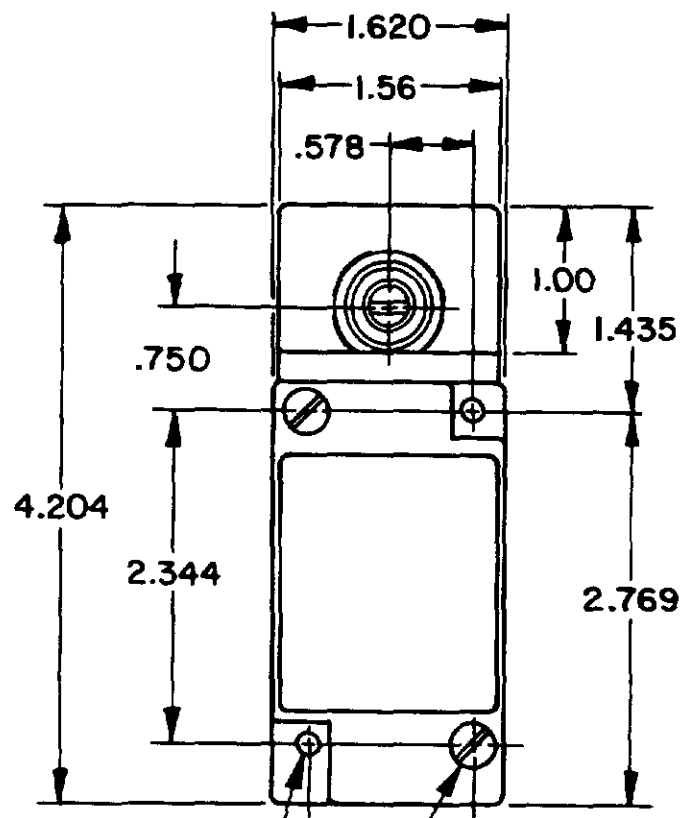


OPERATING CHARACTERISTICS	LSYA		LSYR		LSYN	LSYP		LSYH		LSYL	LSYM	LSYS	LSYU
	MOMENTARY		MOMENTARY LOW TORQUE		MAINTAINED	MOMENTARY LOW PRETRAVEL AND DIFF. TRAVEL		MOMENTARY LOW PRETRAVEL AND LOW TORQUE		SEQUENCE DOUBLE POLE ONLY	CENTER NEUTRAL DOUBLE POLE ONLY	GRAVITY RETURN	LOW PRETRAVEL
PRETRAVEL(MAX)	15°		15°		65°	9°		9°		1ST STEP 15° 2ND STEP 10° ADD'L	18°	NOT APPLICABLE	5°
OVERTRAVEL(MIN)	60°		60°		20°	68°		68°		48°	57°	NOT APPLICABLE	70°
DIFFERENTIAL TRAVEL(MAX)	SINGLE POLE 5°	DOUBLE POLE 7°	SINGLE POLE 5°	DOUBLE POLE 7°	40°	SINGLE POLE 3°	DOUBLE POLE 4°	SINGLE POLE 3°	DOUBLE POLE 4°	5°	10°	12°	SGL POLE 3° DBL POLE 4°
TOTAL TRAVEL (REF)	75°		75°		90°	75°		75°		75°	75°	360°	75°
OPERATING TORQUE(MAX)	4 IN. LBS		1.7 IN. LBS		4 IN. LBS	4 IN. LBS		1.7 IN. LBS		4 IN. LBS	4 IN. LBS	5 IN-OZ	4 IN. LBS
FULL TRAVEL TORQUE(MAX)	4 IN. LBS		1.7 IN. LBS			4 IN. LBS		1.7 IN. LBS		4 IN. LBS	4 IN. LBS	5 IN-OZ	4 IN. LBS

SIDE ROTARY

SINGLE POLE

DOUBLE POLE



.203 DIA MTG HOLES (2)
10-32 UNF 2B (2) TAPPED FROM REAR ONLY .500 MIN DEPTH

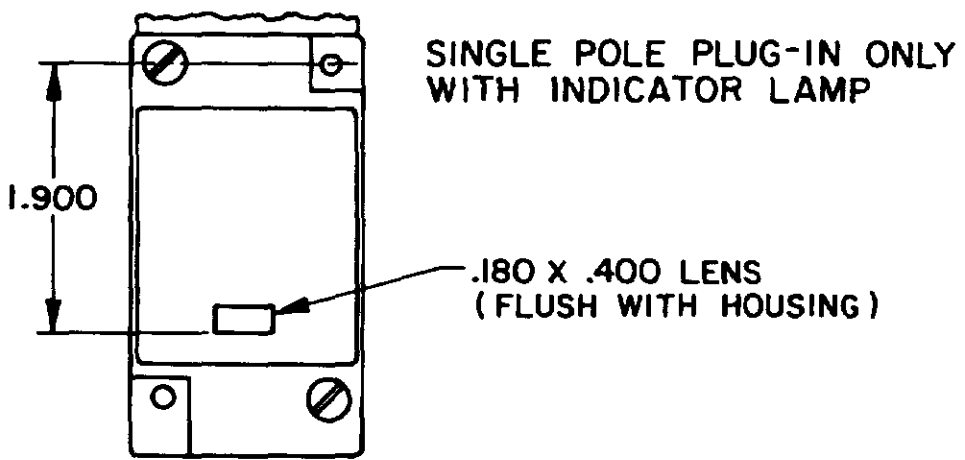
FLOUROSILICONE SEALS: LSYABI, LSYHBI, LSYNBI, LSYPIBI, LSYRBI, LSYHB3, LSYPB3, LSYRB3, LSYSB3

VITON: LSYAC1, LSYHCI, LSYNC1, LSYPC1, LSYRC1, LSYAC3, LSYHC3, LSYNC3, LSYPC3, LSYRC3, LSYSC1

FLOUROSILICONE SEALS: LSYAB2, LSYHB2, LSYMB2, LSYNB2, LSYPB2, LSYRB2, LSYAB4, LSYHB4, LSYMB4, LSYNB4, LSYPB4, LSYRB4

* (LSYAB6, LSYHB6, LSYMB6, LSYNB6, LSYPB6, LSYRB6, LSYAB7, LSYHB7, LSYMB7, LSYNB7, LSYPB7, LSYRB7 HAVE 1/2-14 CONDUIT HOLE)

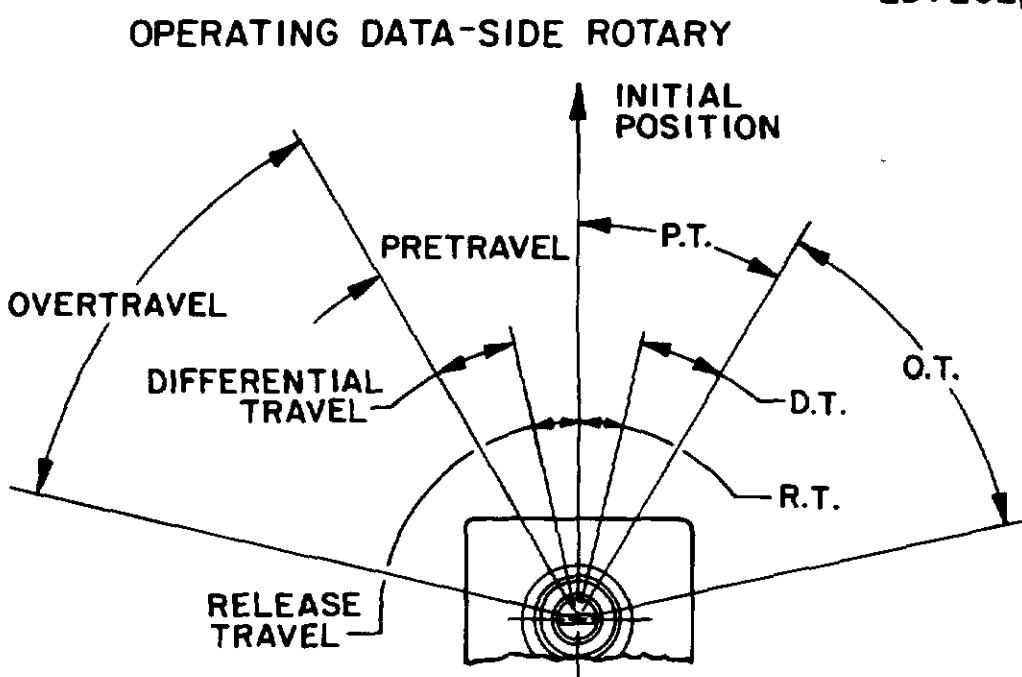
VITON SEALS: LSYAC2, LSYHC2, LSYNC2, LSYPC2, LSYRC2, LSYAC4, LSYHC4, LSYNC4, LSYPC4, LSYRC4, LSYMC2, LSYMC4, LSYMC6, LSYMC7, LSYLC2, LSYLC4, LSYLC6, LSYLC7



SINGLE POLE PLUG-IN ONLY WITH INDICATOR LAMP

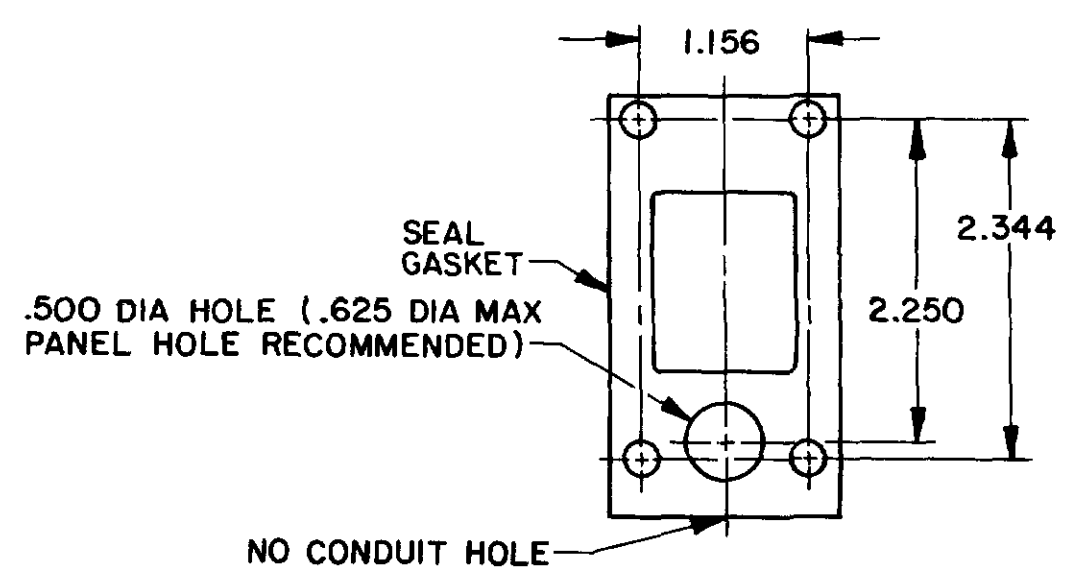
120 LAMP VOLTAGE -
TYPE LSYAB5, LSYHB5, LSYNB5, LSYPB5, LSYRB5, LSYAC5, LSYHC5, LSYNC5, LSYPC5, LSYRC5

240 LAMP VOLTAGE -
TYPE LSYAB8, LSYHB8, LSYNB8, LSYPB8, LSYRB8, LSYAC8, LSYHC8, LSYNC8, LSYPC8, LSYRC8



NOTE
1 - ALL UNITS AVAILABLE WITH FLUOROSILICONE AND VITON SEALS

MANIFOLD MOUNT (PLUG-IN ONLY)
SINGLE POLE AND DOUBLE POLE
TYPE LSYA THROUGH LSYW SERIES



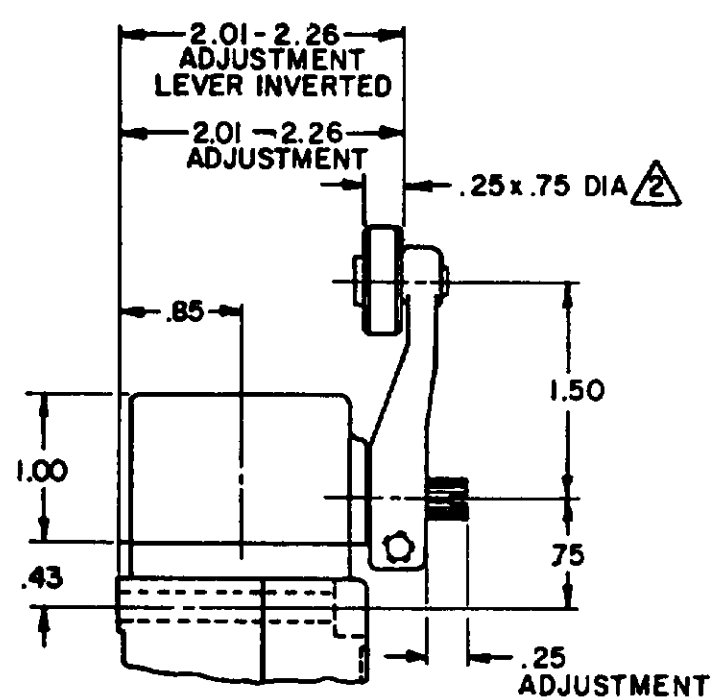
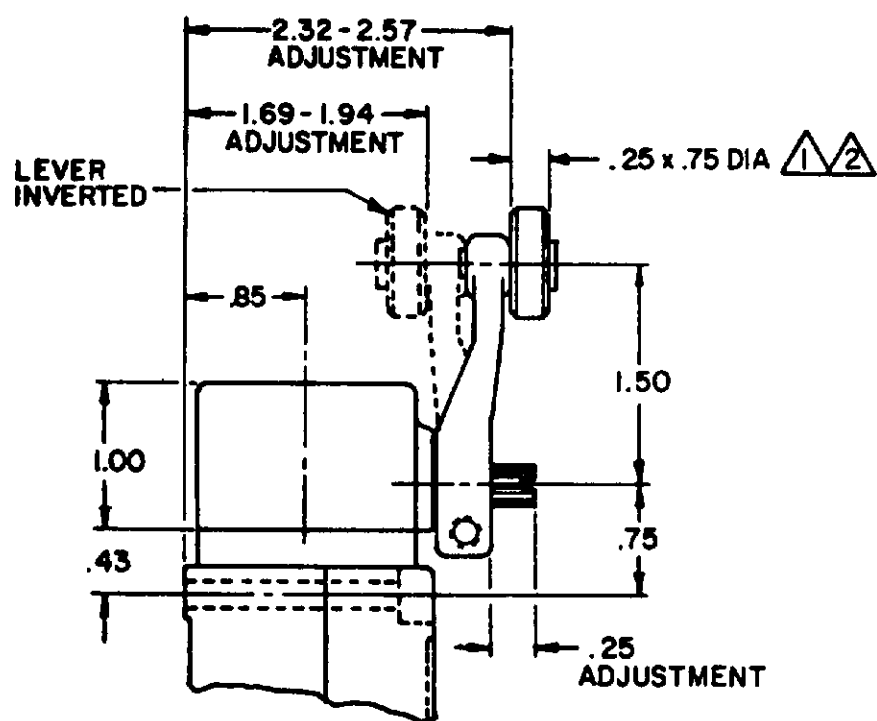
MICRO SWITCH
THIS DRAWING COVERS A PROPRIETARY ITEM AND IS THE PROPERTY OF MICRO SWITCH, A DIVISION OF FREEPORT ELECTRONICS U.S.A. A DIVISION OF HONEYWELL. IT IS NOT TO BE COPIED OR USED WITHOUT THE APPROVAL OF MICRO SWITCH.

SWITCH-ENCLOSED

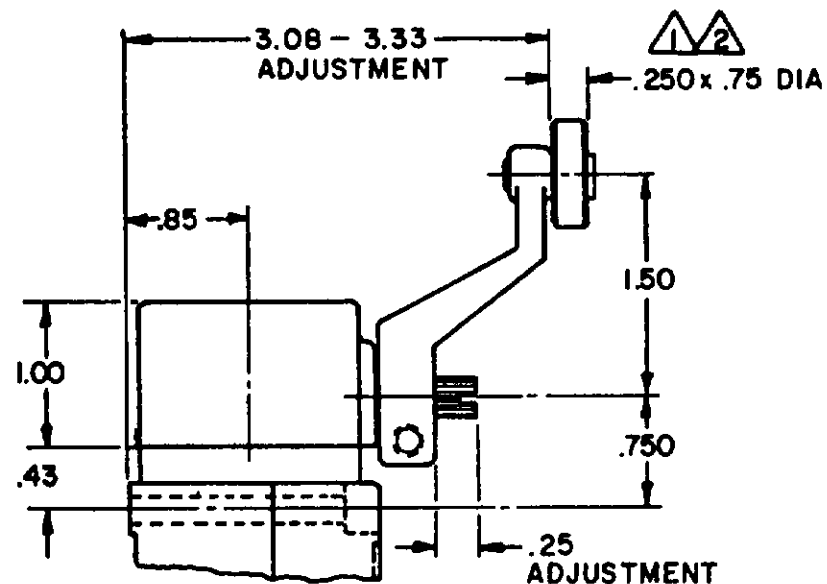
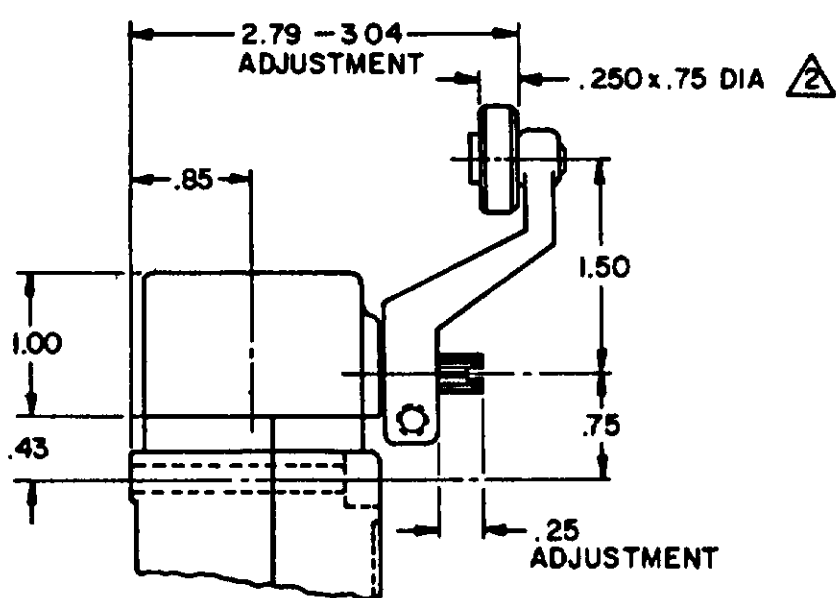
LSY SERIES
CATALOG LISTING
CHART 1

DESIGN UNITS: INCHES, MILLIMETERS
DIMENSIONS: INCHES, MILLIMETERS
TOLERANCES: .005, .010, .015, .020, .030, .040, .050, .060, .070, .080, .090, .100, .125, .150, .175, .200, .250, .300, .375, .450, .500, .625, .750, .875, 1.000, 1.250, 1.500, 1.750, 2.000, 2.500, 3.000, 3.750, 4.500, 5.000, 6.250, 7.500, 8.750, 10.000
SCALE: NONE
DO NOT SCALE PRINT
THIRD ANGLE PROJECTION
WEIGHT

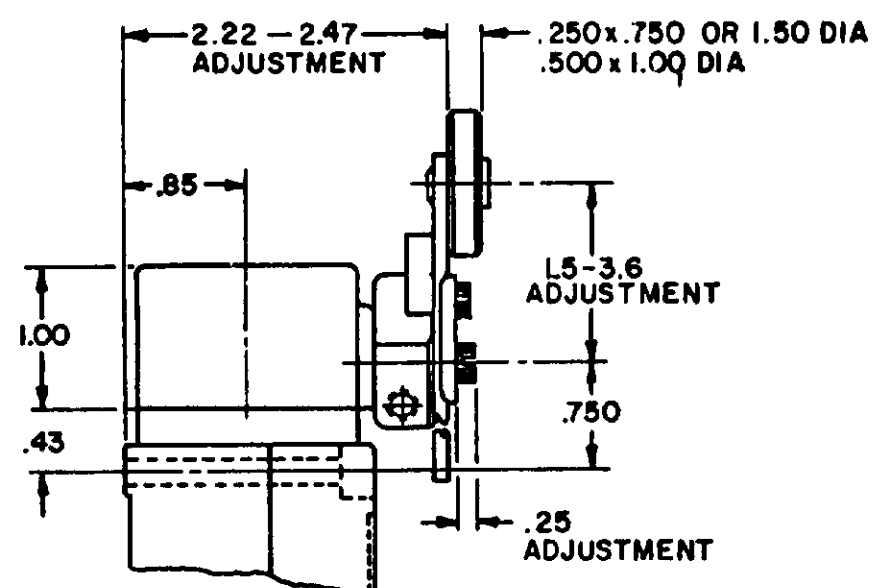
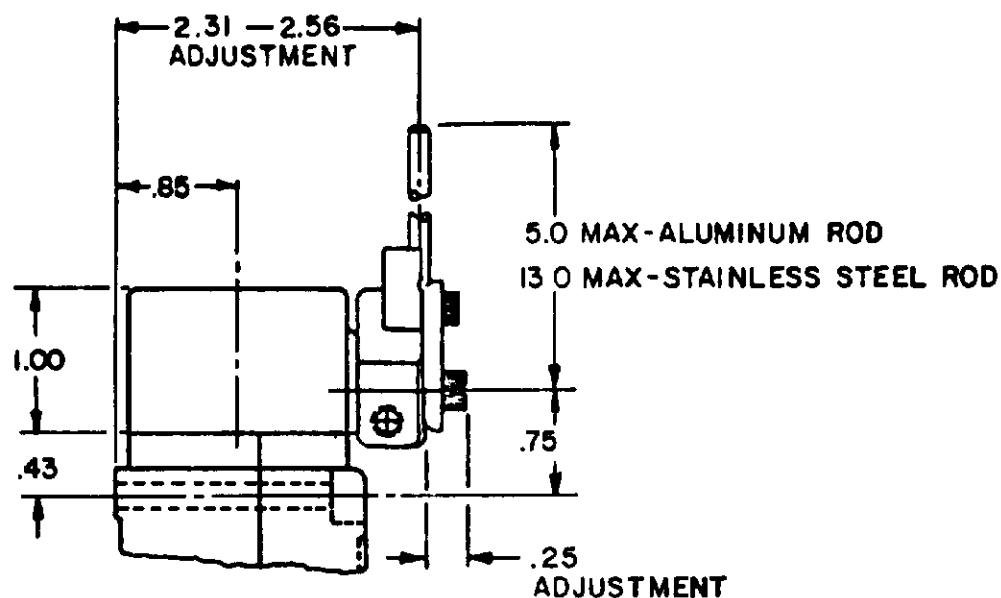
SIDE ROTARY CAM TRACKING



LSZ51 TYPE LEVERS

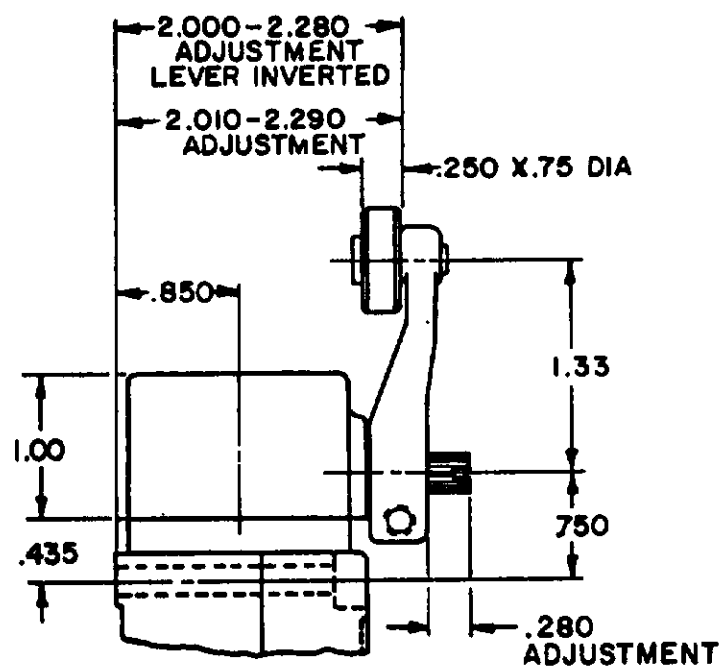
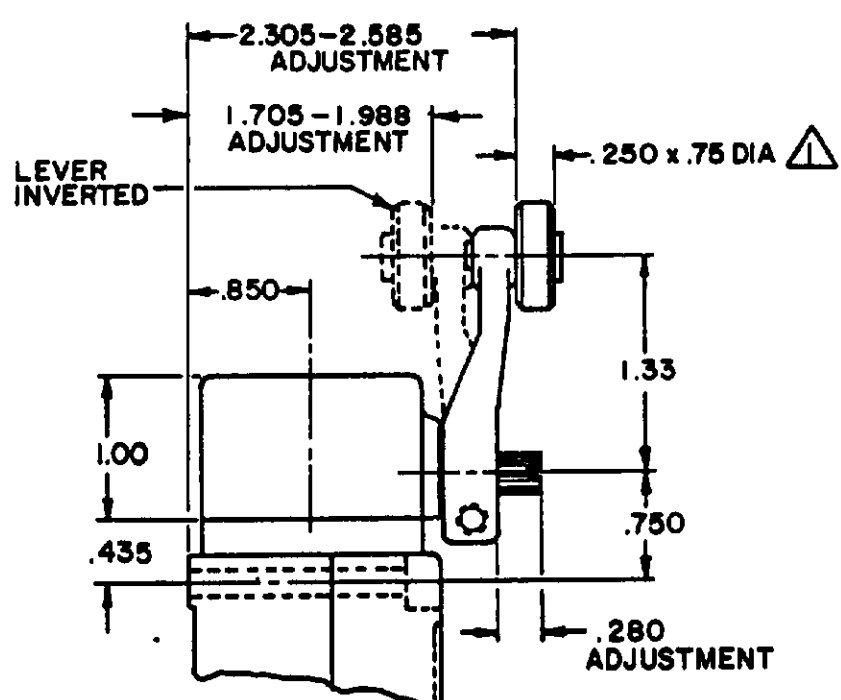


LSZ55 TYPE LEVERS



LSZ54 TYPE LEVER

LSZ52 TYPE LEVER



LSZ59 TYPE LEVERS

NOTES

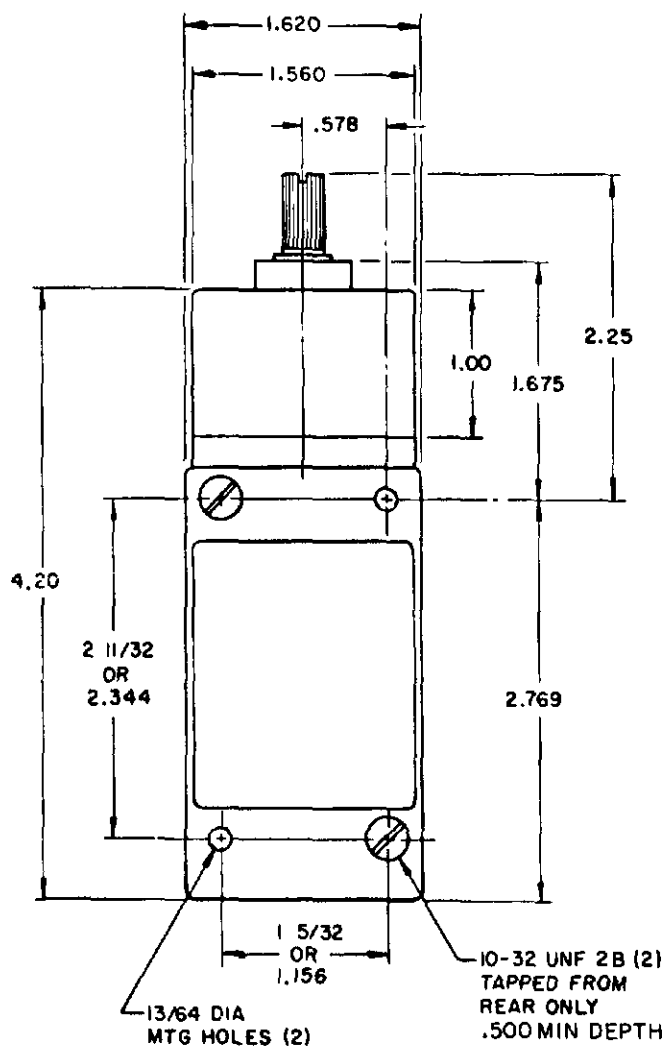
- ▲ ALSO AVAILABLE IN .250 X 1.500 DIA NYLON, BUT LEVER CANNOT BE INVERTED
- ▲ FOR ADDITIONAL ROLLER WIDTHS AND/OR DIAMETERS REFER TO (M)
- 3 - FOR ADDITIONAL TYPES OF ROLLERS AND LEVERS REFER TO LSZ CHART 1 (M)

MICRO SWITCH
 a Honeywell Division
 THIS DRAWING COVERS A PROPRIETARY ITEM AND IS THE PROPERTY OF MICRO SWITCH A DIVISION OF HONEYWELL. THIS DRAWING IS NOT TO BE COPIED OR USED WITHOUT THE APPROVAL OF MICRO SWITCH.
 CATALOG LISTING
 LSY SERIES
 CHART 1

THIRD ANGLE PROJECTION
 SCALE NONE
 DO NOT SCALE PRINT
 UNLESS OTHERWISE SPECIFIED
 TOLERANCES ARE
 ONE PLACE (.0) ± .030
 TWO PLACE (.00) ± .015
 THREE PLACE (.000) ± .005
 ANGLES ±

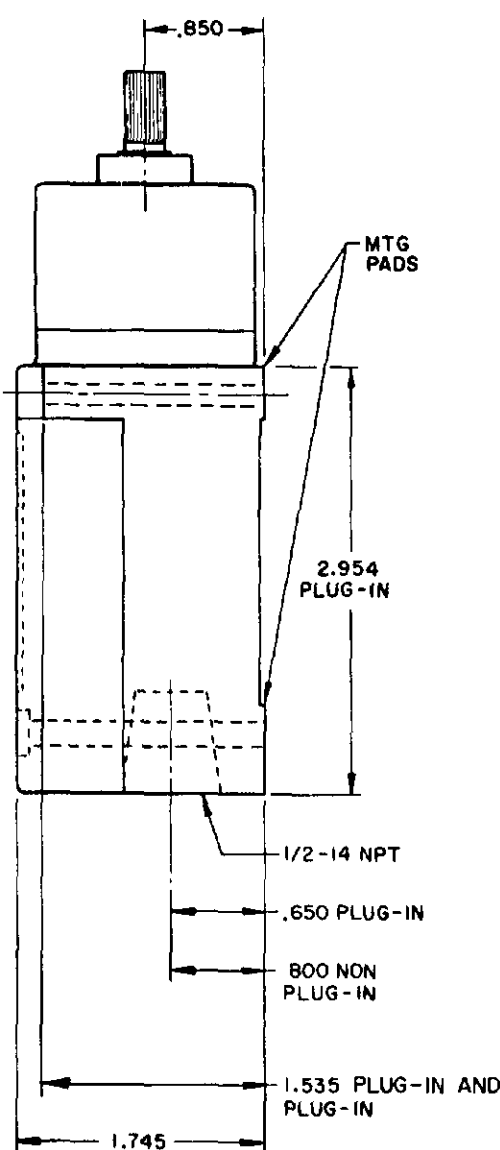
TOP ROTARY

SINGLE POLE

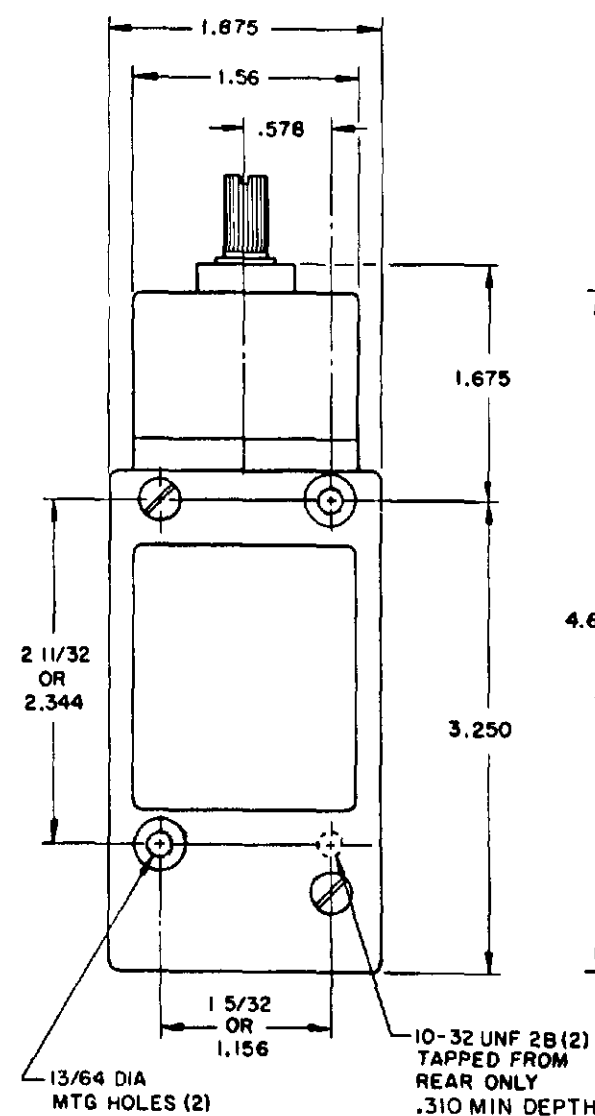


FLOUROSILICONE SEALS
LSYBBI & LSYBB3

VITON SEALS
LSYBCI & LSYBC3



DOUBLE POLE



FLOUROSILICONE SEALS
LSYBB2 & LSYBB4
LSYBB6 & LSYBB7 HAVE 1/2-14NPT
CONDUIT HOLE

VITON SEALS
LSYBC2 & LSYBC4, LSYBC6 & LSYBC7
HAVE 1/2-14NPT CONDUIT HOLE

PRETRAVEL MAX	SINGLE POLE 25°	DOUBLE POLE 25°
OVERTRAVEL MIN	110°	110°
DIFFERENTIAL TRAVEL MAX	10°	12°
OPERATING TORQUE MAX	2.5 IN. LBS	2.5 IN. LBS
TOTAL TRAVEL (REF)	135°	135°

ELECTRICAL RATINGS

10 AMP CONT.

A.C. VOLTAGE	AMPS AT .35 POWER FACTOR			
	SINGL. POL.		DOUBL. POL.	
	MAKE	BREAK	MAKE	BREAK
120	60	6	10	3
240	30	3	15	1.5
480	15	1.5	7.5	.75
600	12	1.2	6	.6

D.C. VOLTAGE	MAKE & BREAK INDUCTIVE	RESISTIVE
120	0.25	0.80
240	0.15	0.40

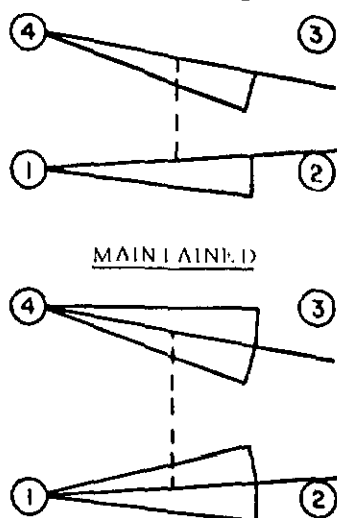
ELECTRONIC DUTY BASIC SWITCH
10 AMP CONT.

VOLTAGE	MAKE AND BREAK AMPS
5 AC OR DC MIN	.01 AMP MIN
600 AC	720 VA
240 DC	30 WATT

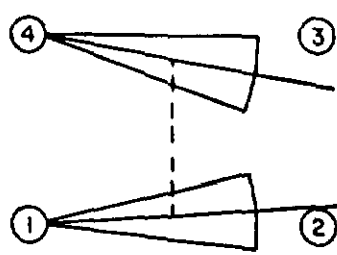
WIRING BASIC SWITCH (SAME POLARITY MUST BE OBSERVED FOR EACH POLE)

SINGLE POLE

MOMENTARY



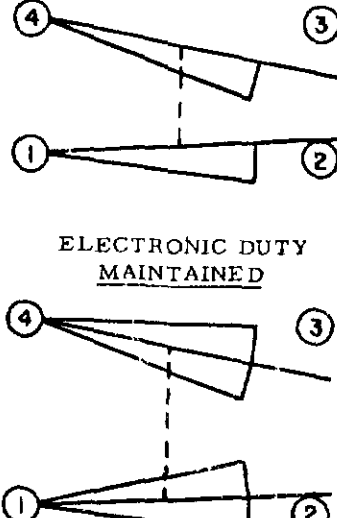
MAINTAINED



SINGLE POLE

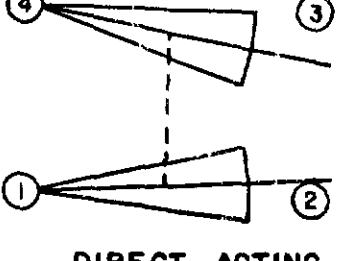
ELECTRONIC DUTY

MOMENTARY



ELECTRONIC DUTY

MAINTAINED

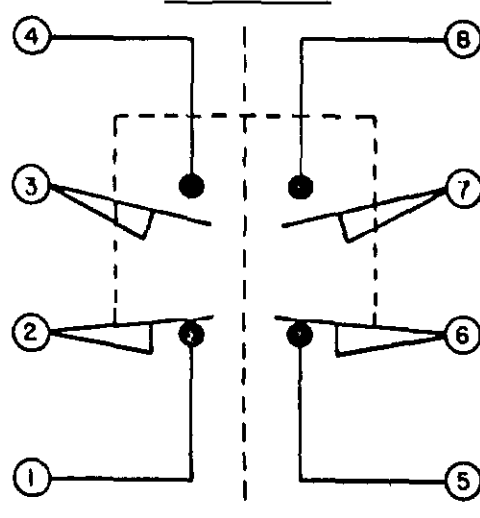


DIRECT ACTING

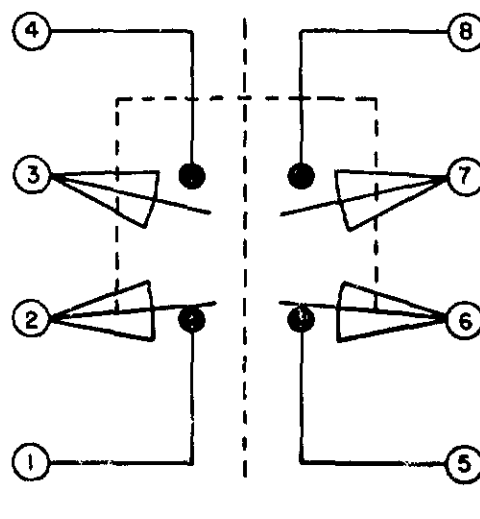


DOUBLE POLE

MOMENTARY



MAINTAINED



DIRECT ACTING (ALSO RATED AT A.C. 10 AMP CONT.)

D.C. VOLTAGE	MAKE AND BREAK AMPS	
	INDUCTIVE	RESISTIVE
30	4.2	4.2
120	1.1	1.1
240	.55	.55

NOTES:
1 - ALL UNITS AVAILABLE WITH
FLOUROSILICONE AND VITON SEALS

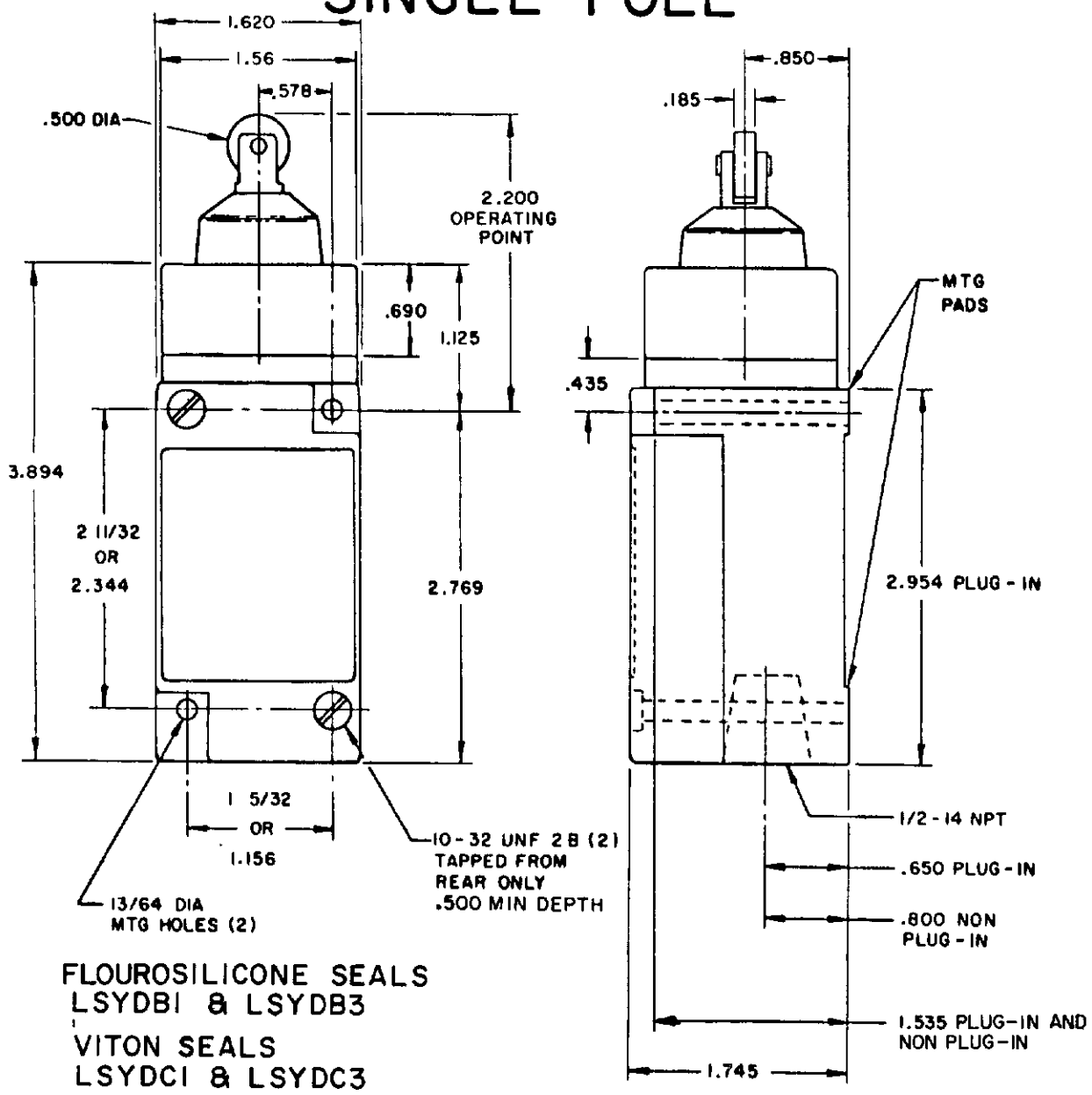
2 DIFFERENTIAL TRAVEL ON ALL
OPERATING CHARACTERISTICS NOT
APPLICABLE

MICRO SWITCH
 FREEMONT, ILL. U.S.A.
 A DIVISION OF HONEYWELL
 FID. REG. CODE 9193
 SWITCH - ENCLOSED
 CHART 1
 LSY SERIES
 CATALOG LISTING

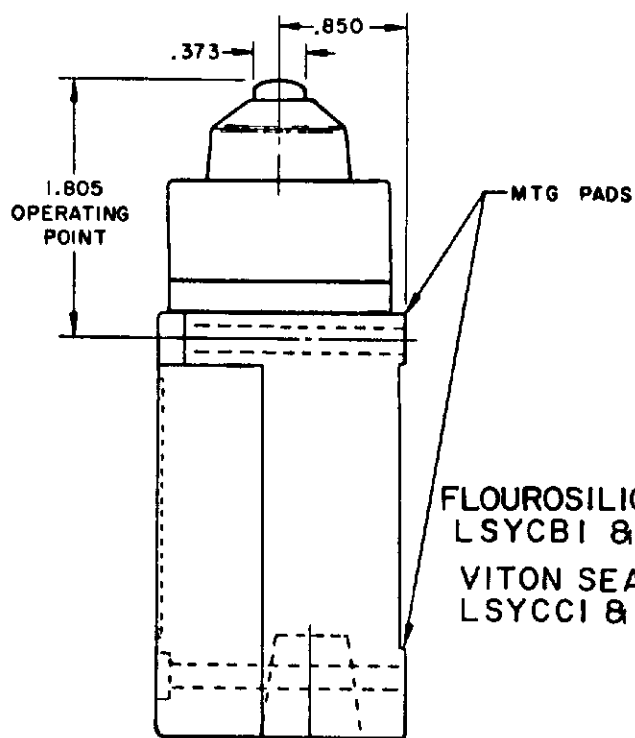
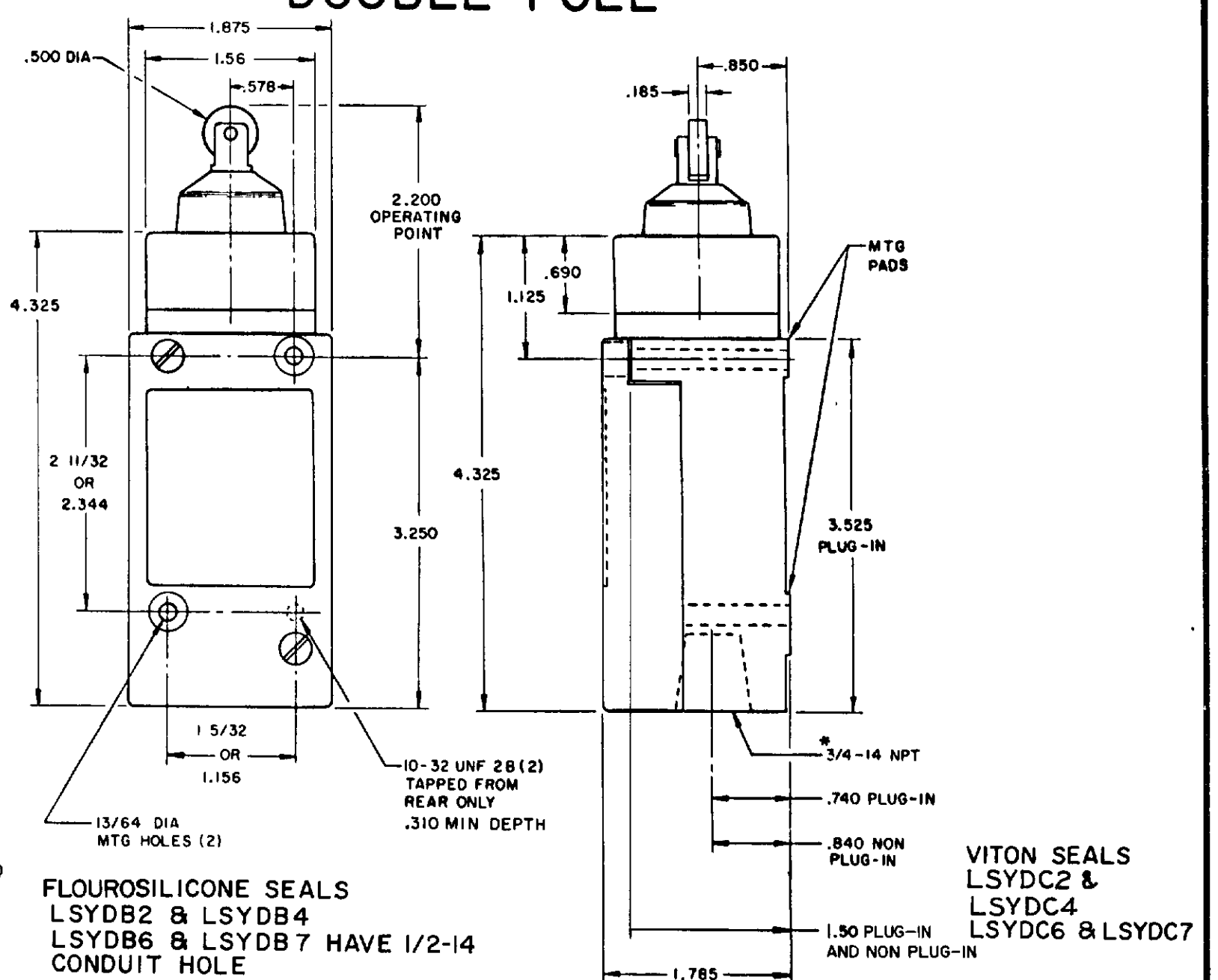
SCALE NONE
DO NOT SCALE PRINT

PLUNGER TYPE TOP

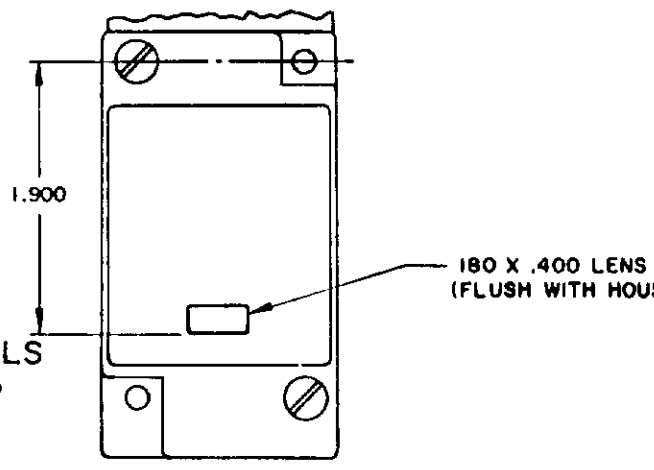
SINGLE POLE



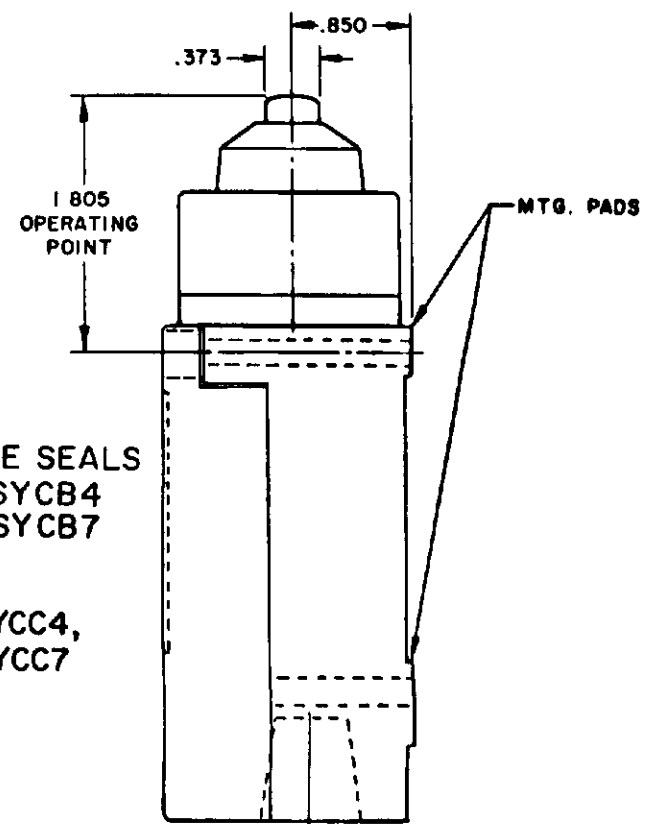
DOUBLE POLE



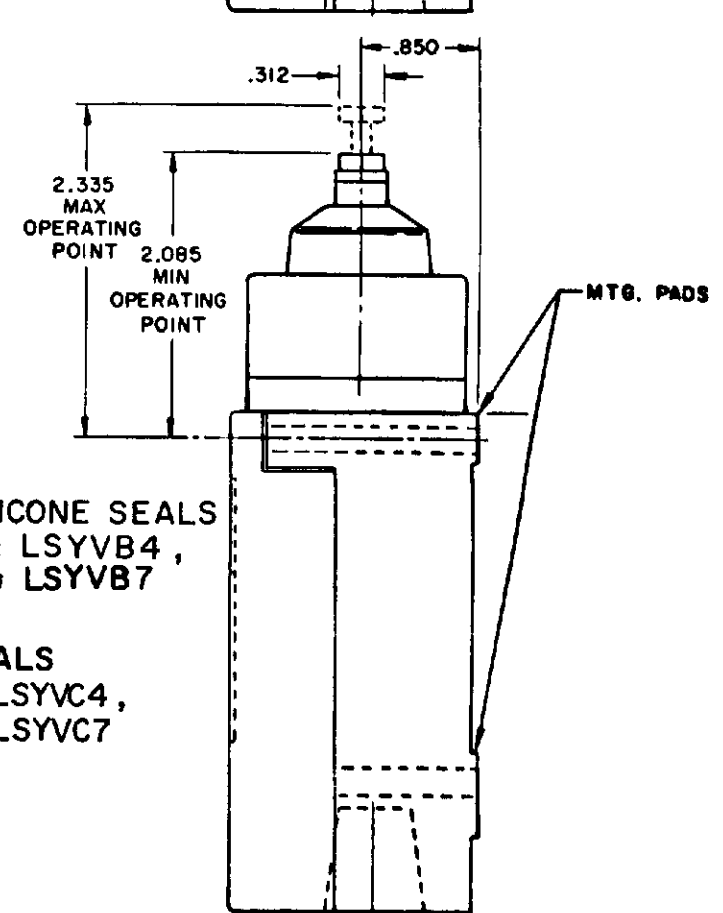
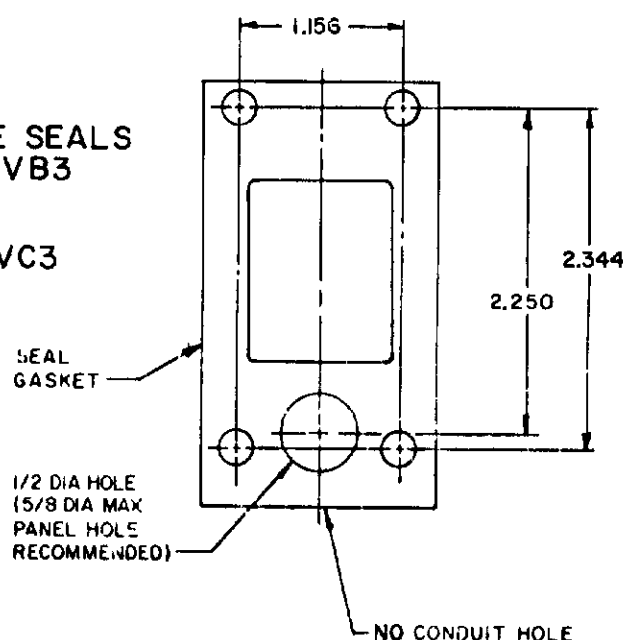
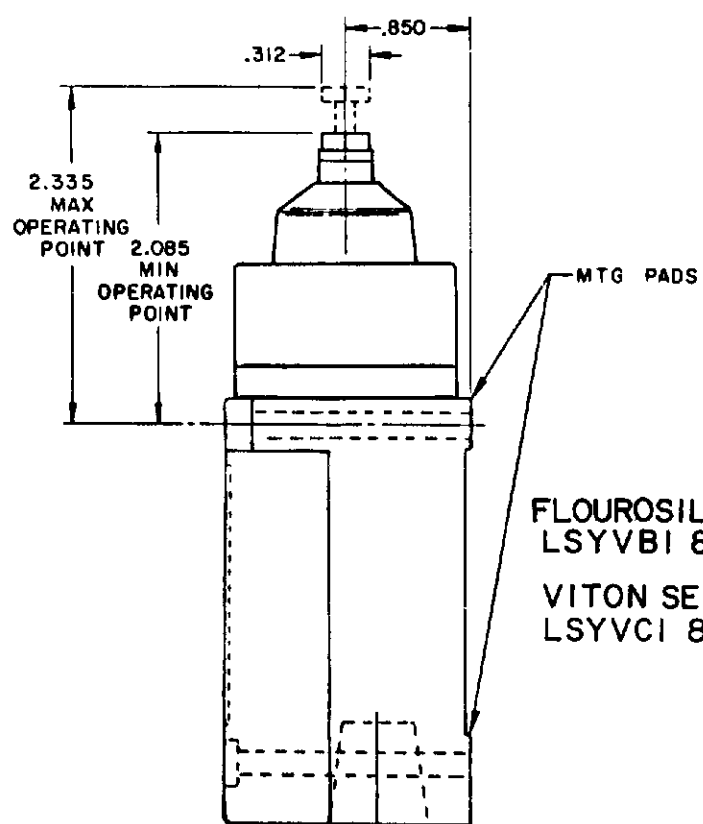
SINGLE POLE PLUG-IN ONLY
WITH INDICATOR LAMP



120 LAMP VOLTAGE -
LSYCB5, LSYDB5, LSYVB5
LSYCC5, LSYDC5, LSYVC5
240 LAMP VOLTAGE -
LSYCB8, LSYDB8, LSYVB8
LSYCC8, LSYDC8, LSYVC8



MANIFOLD MOUNT (PLUG-IN ONLY)
SINGLE POLE AND DOUBLE POLE
TYPE LSYA THROUGH LSYW SERIES



NOTES:
1 - ALL UNITS AVAILABLE WITH
FLUOROSILICONE AND VITON SEALS

MICRO SWITCH
THIS DRAWING GOVERNS A PROPRIETARY ITEM AND IS THE PROPERTY OF MICRO SWITCH, A DIVISION OF
MONEYWELL. THIS DRAWING IS NOT TO BE COPIED OR USED WITHOUT THE APPROVAL OF MICRO SWITCH.
A DIVISION OF MONEYWELL
180 W. 50th ST. NEW YORK, N.Y. 10019

SWITCH - ENCLOSED

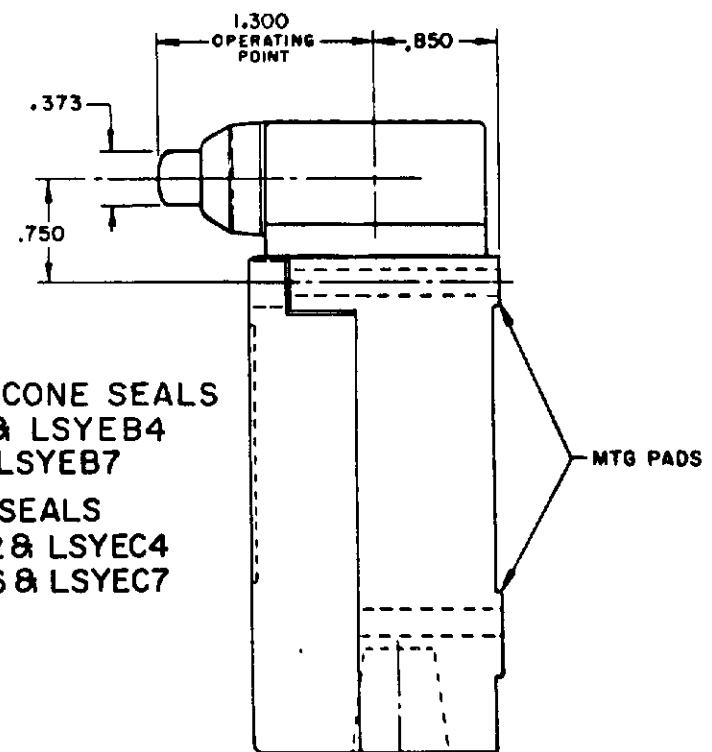
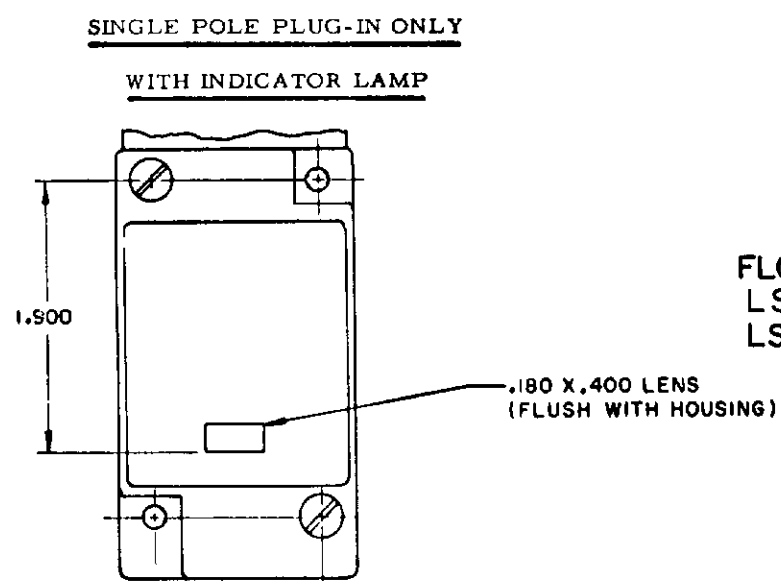
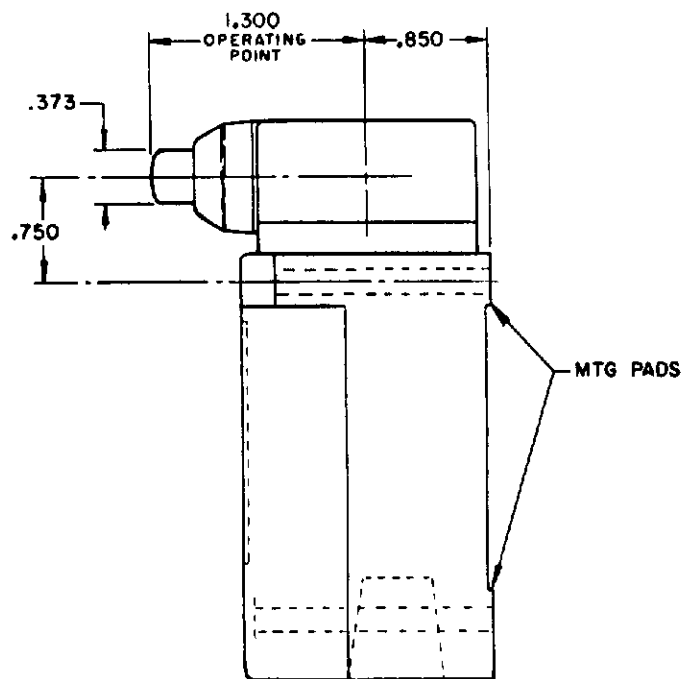
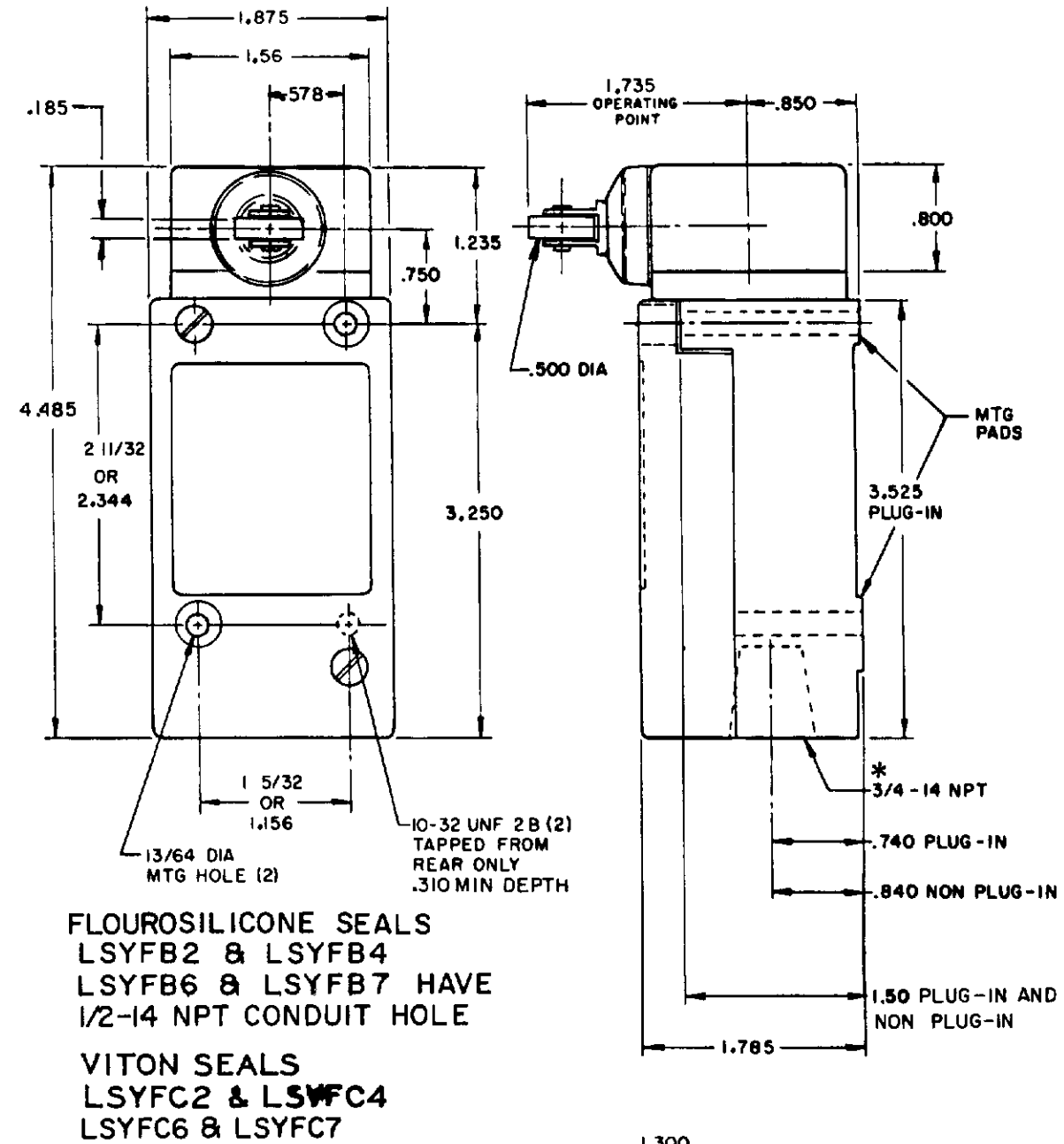
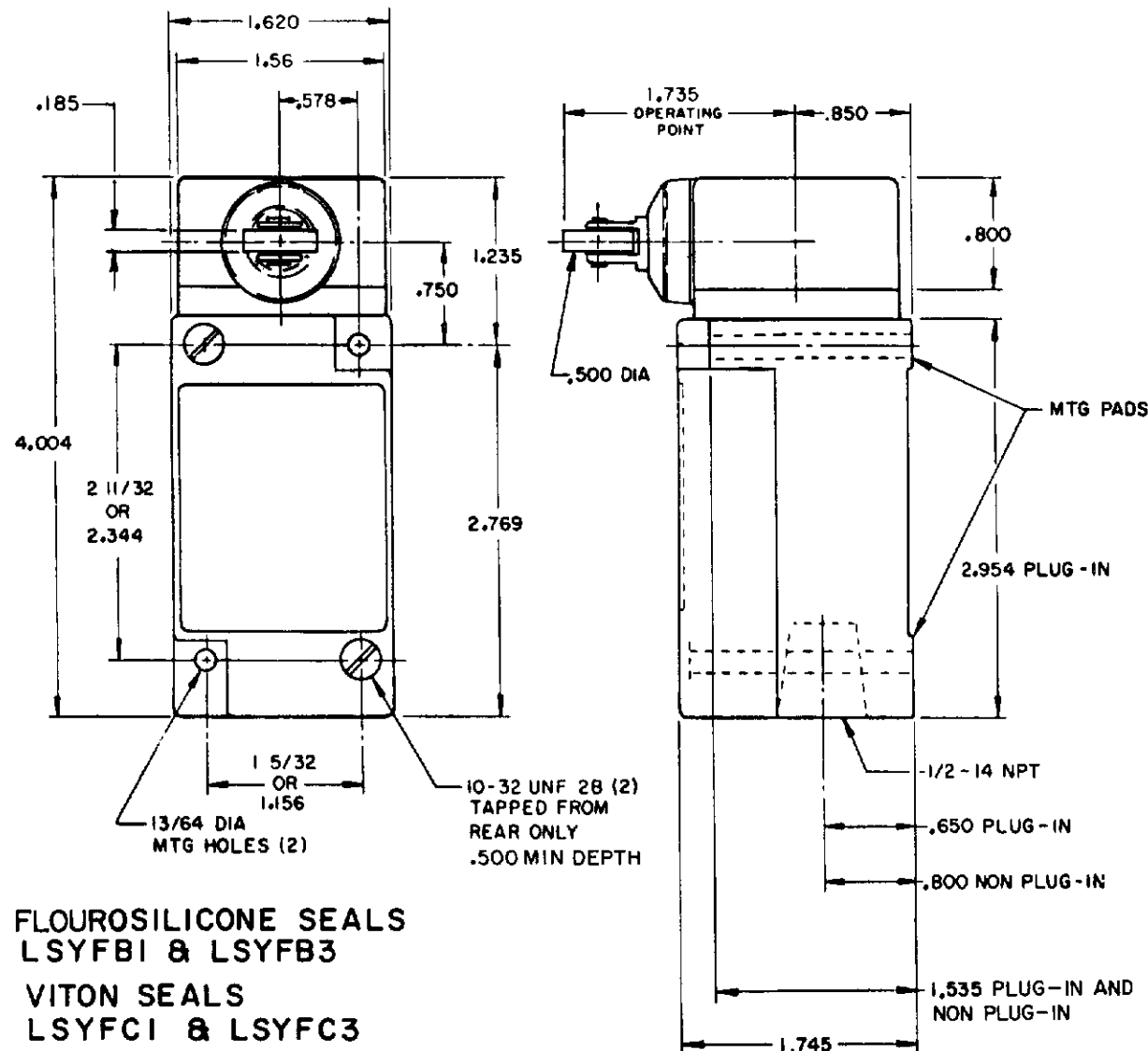
LSY SERIES
CATALOG LISTING
CHART 1

SCALE NONE
DO NOT SCALE PRINT

SIDE PLUNGER TYPE

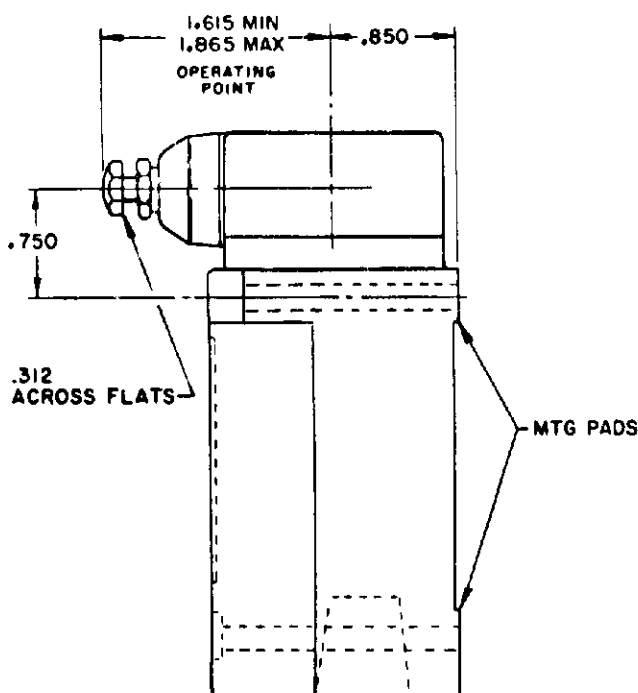
SINGLE POLE

DOUBLE POLE

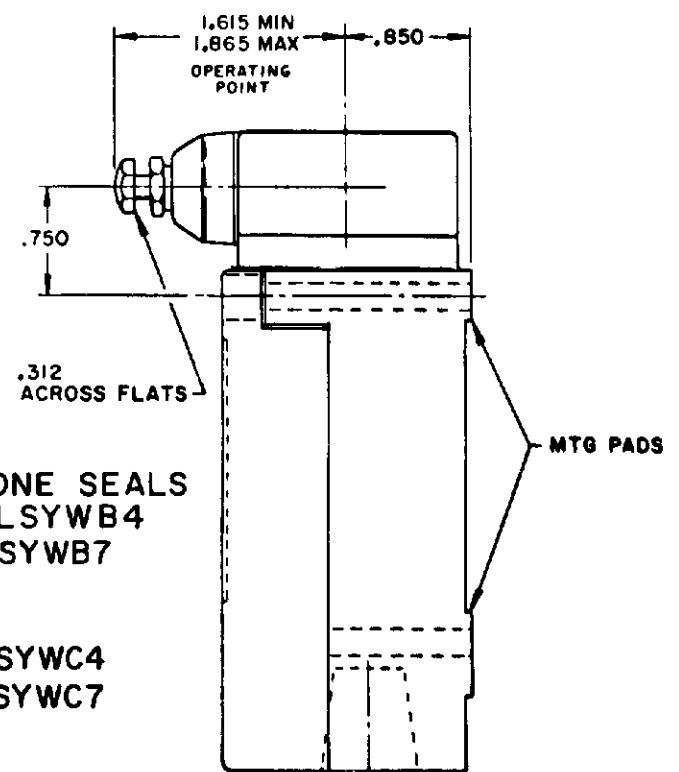
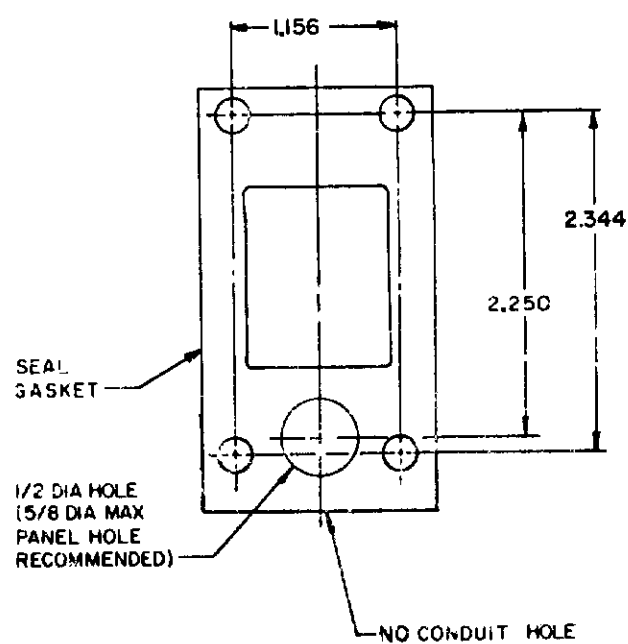


120 LAMP VOLTAGE -
 LSYFB5, LSYEB5, LSYWB5
 LSYFC5, LSYEC5, LSYWC5

240 LAMP VOLTAGE -
 LSYFB8, LSYEB8, LSYWB8
 LSYFC8, LSYEC8, LSYWC8



MANIFOLD MOUNT (PLUG-IN ONLY)
 SINGLE POLE AND DOUBLE POLE
 TYPE LSYA THROUGH LSYW SERIES

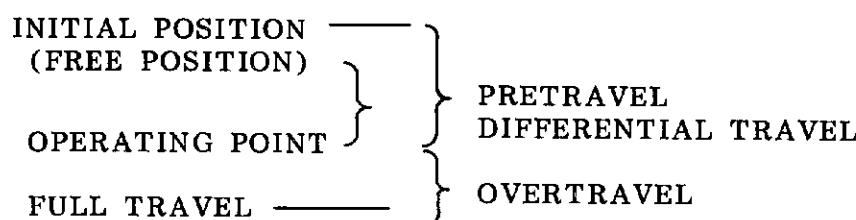
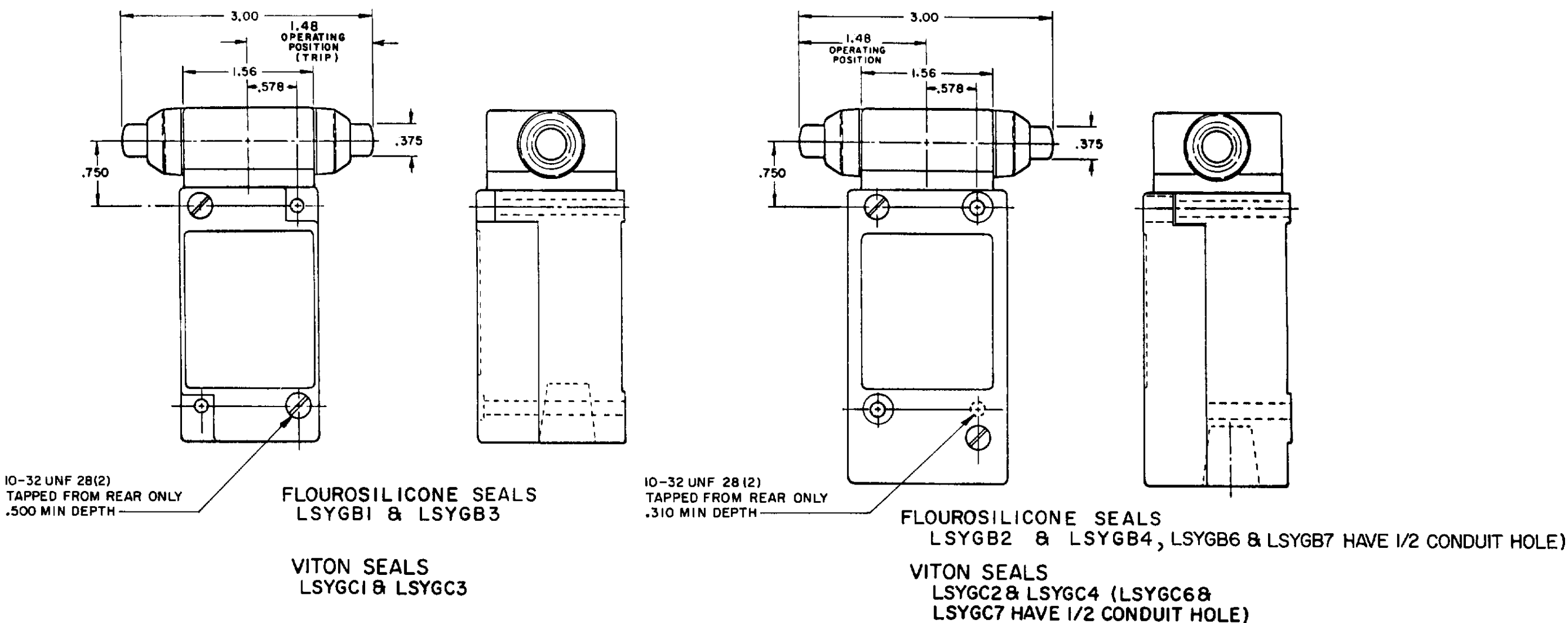


FLOUROSILICONE SEALS
 LSYWB2 & LSYWB4
 LSYWB6 & LSYWB7
VITON SEALS
 LSYWC2 & LSYWC4
 LSYWC6 & LSYWC7

NOTES:
 1 - ALL UNITS AVAILABLE WITH
 FLOUROSILICONE AND VITON SEALS

MICRO SWITCH
 FREEPORT ILLINOIS U.S.A.
 A DIVISION OF HONEYWELL
 REG. U.S. PAT. & TM. OFF.
SWITCH - ENCLOSED
 LSY SERIES
 CATALOG LISTING
 CHART 1

SCALE NONE
 DO NOT SCALE PRINT



M LSY SERIES CHART 1
PAGE 6 OF 10

OPERATING POINT GIVEN IN RELATION TO TOP MOUNTING HOLE **TOP PLUNGER TYPES**

CHARACTERISTICS	LSYC PLUNGER		LSYD ROLLER PLUNGER		LSYV ADJ PLUNGER		SEQUENCE BASIC		
	SINGLE POLE	DOUBLE POLE	SINGLE POLE	DOUBLE POLE	SINGLE POLE	DOUBLE POLE	LSYC	LSYD	LSYV
PRETRAVEL (MAX)	.070		.070		.070		1ST STEP .070		
DIFFERENTIAL TRAVEL (MAX)	.015	.020	.015	.020	.015	.020	2ND STEP .016 MIN ADD'L		
OVERTRAVEL (MIN)	.190		.190		.190		.170		
OPERATING FORCE (MAX)	4 LBS		4 LBS		4 LBS		4 LBS		
OPERATING POINT	1.805 ± .030		2.200 ± .040		2.085 MIN 2.335 MAX		1ST STEP 1.815±.030 2.210±.040 2.095 MIN / 2.345 MAX		
FULL OVERTRAVEL FORCE (MAX)	7 LBS		7 LBS		7 LBS		7 LBS		

OPERATING POINT GIVEN IN RELATION TO CENTER OF HEAD **SIDE PLUNGER TYPES**

CHARACTERISTICS	LSYE PLUNGER	LSYF ROLLER PLUNGER	LSYW ADJ PLUNGER	LSYG PLUNGER MAINTAINED	SEQUENCE BASIC		
					LSYE	LSYF	LSYW
PRETRAVEL (MAX)	.100	.100	.100	.170	1ST STEP .100		
DIFFERENTIAL TRAVEL (MAX)	.045	.045	.045	.090	2ND STEP .020 MIN ADD'L		
OVERTRAVEL (MIN)	.190	.190	.190	.080	.170		
OPERATING FORCE (MAX)	6 LBS	6 LBS	6 LBS	10 LBS	6 LBS		
OPERATING POINT	1.300 ± .030	1.735 ± .040	1.615 MIN 1.865 MAX	1.480 ± .030	1ST STEP 1.310±.030 1.745±.040 1.625 MIN / 1.875 MAX		
FULL OVERTRAVEL FORCE (MAX)	6 LBS	6 LBS	6 LBS	10 LBS	6 LBS		

MICRO SWITCH
 THIS DRAWING COVERS A PROPRIETARY ITEM AND IS THE PROPERTY OF HONEYWELL. THIS DRAWING IS NOT TO BE COPIED OR USED WITHOUT THE APPROVAL OF MICRO SWITCH, A DIVISION OF HONEYWELL.
 MICRO SWITCH
 FREEPORT ILLINOIS U.S.A.
 A DIVISION OF HONEYWELL
 TEL: 618-353-3333

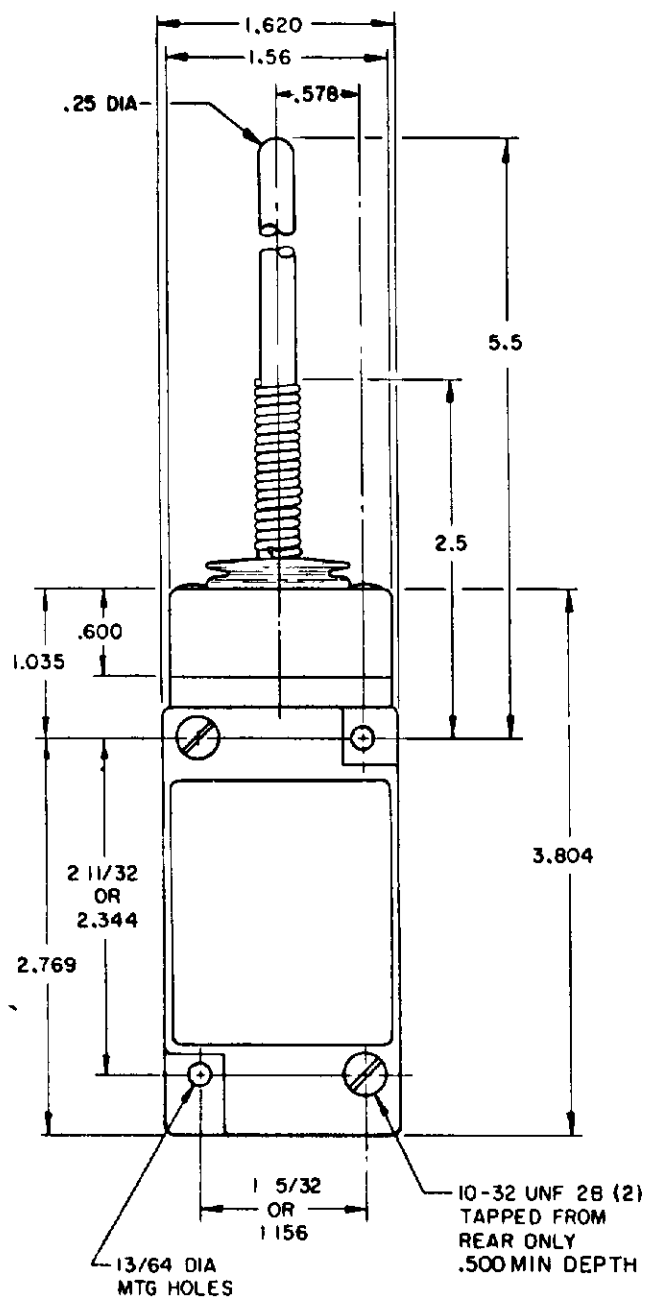
SWITCH - ENCLOSED
LSY SERIES
 CHART 1

THIRD ANGLE PROJECTION
 SCALE NONE
 DO NOT SCALE PRINT
 TOLERANCES
 UNLESS OTHERWISE SPECIFIED
 DIMENSIONS ARE IN INCHES
 DECIMALS: .0005, .001, .002, .005, .010, .015, .020, .030, .040, .050, .060, .070, .080, .090, .100, .150, .200, .250, .300, .375, .400, .450, .500, .562, .625, .687, .750, .812, .875, .937, 1.000
 FRACTIONS: 1/64, 1/32, 3/64, 1/8, 5/16, 3/8, 1/2, 5/8, 3/4, 7/8, 1 1/8, 1 1/4, 1 1/2, 1 3/4, 2, 2 1/4, 2 1/2, 2 3/4, 3, 3 1/4, 3 1/2, 3 3/4, 4, 4 1/4, 4 1/2, 4 3/4, 5, 5 1/4, 5 1/2, 5 3/4, 6, 6 1/4, 6 1/2, 6 3/4, 7, 7 1/4, 7 1/2, 7 3/4, 8, 8 1/4, 8 1/2, 8 3/4, 9, 9 1/4, 9 1/2, 9 3/4, 10
 ANGLES: 15°, 30°, 45°, 60°, 75°, 90°, 105°, 120°, 135°, 150°, 165°, 180°
 HOLE DIMENSIONS: .0005, .001, .002, .005, .010, .015, .020, .030, .040, .050, .060, .070, .080, .090, .100, .150, .200, .250, .300, .375, .400, .450, .500, .562, .625, .687, .750, .812, .875, .937, 1.000
 WEIGHT

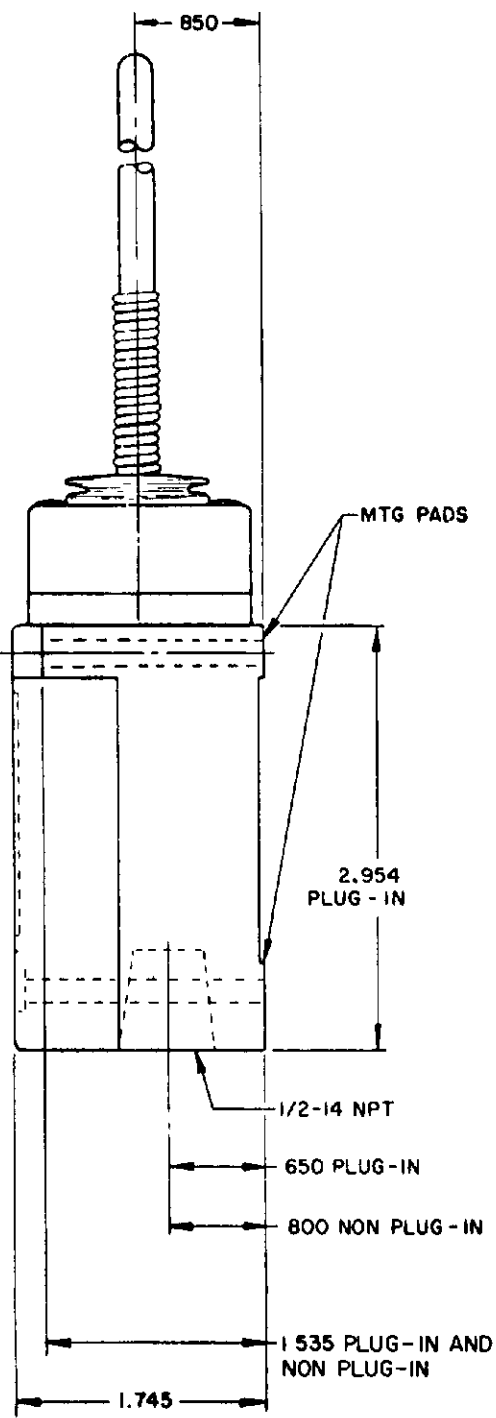
WOBBLE STICK

SINGLE POLE

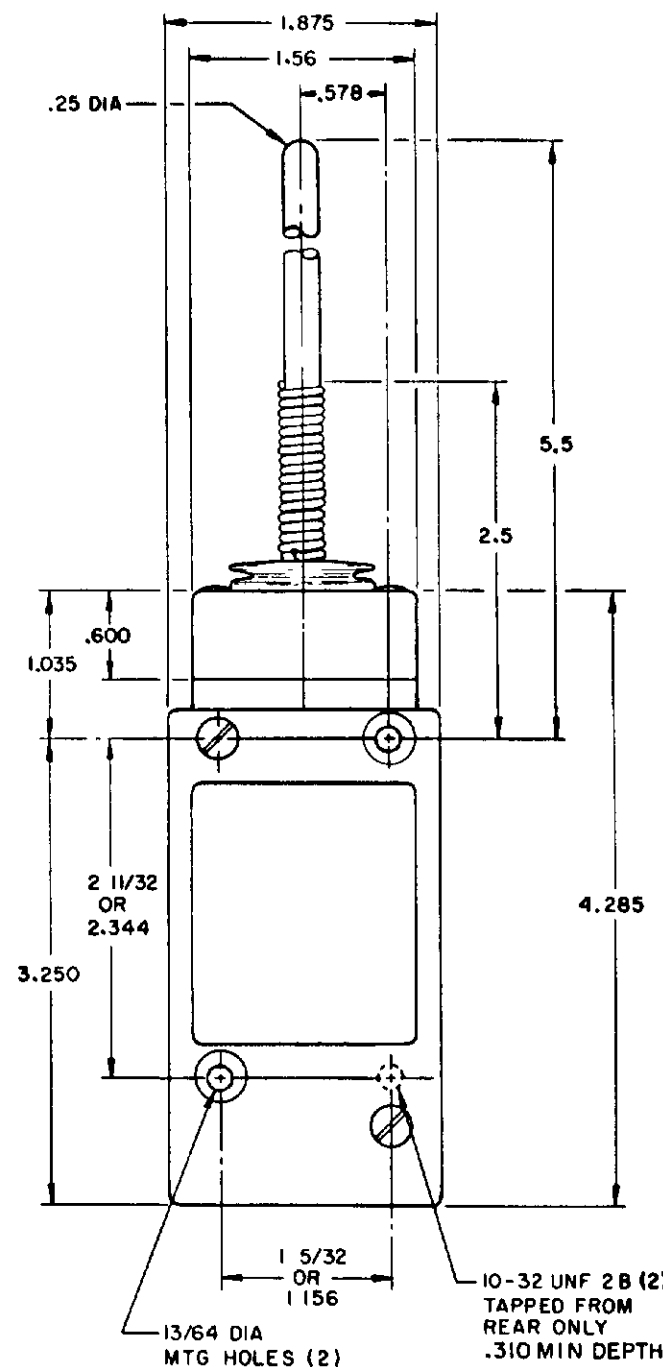
DOUBLE POLE



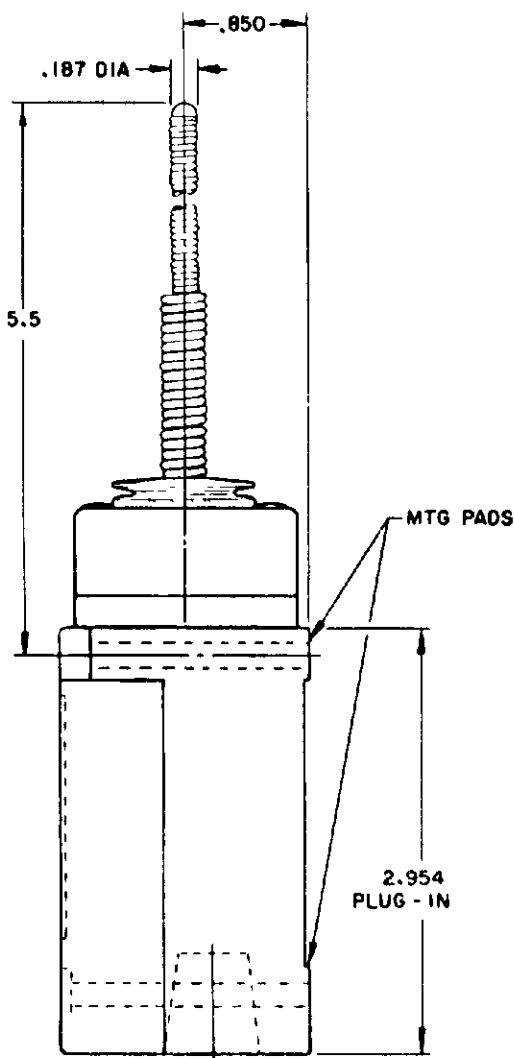
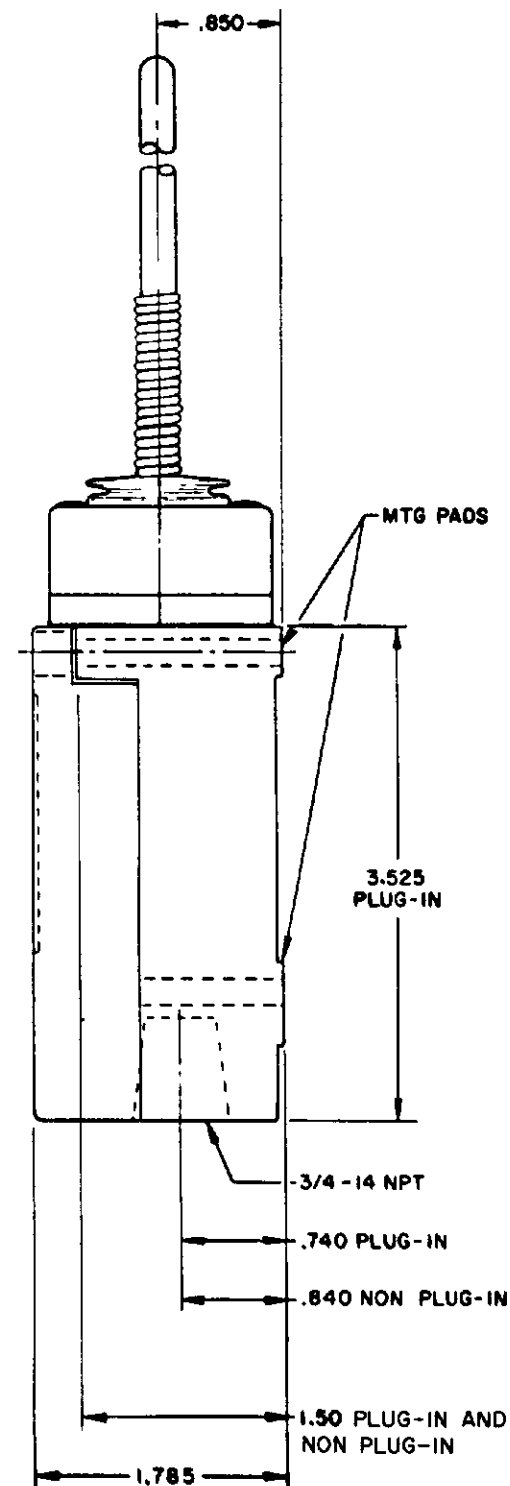
**PLASTIC EXTENSION
TYPE 7A ACTUATOR**



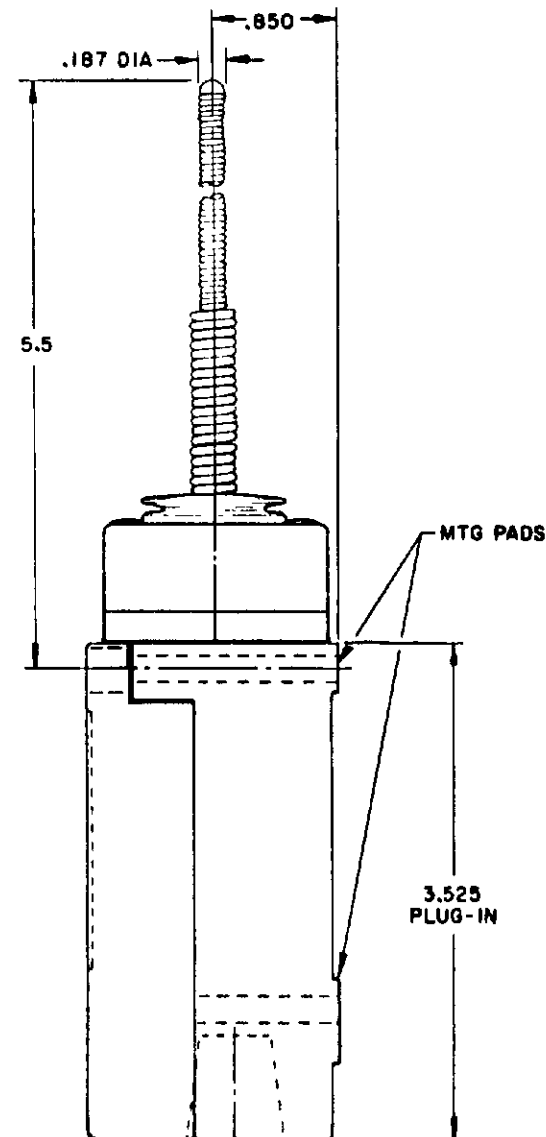
**REPLACEMENT ACTUATOR
LSZ 4009**



**PLASTIC EXTENSION
TYPE 7A ACTUATOR**

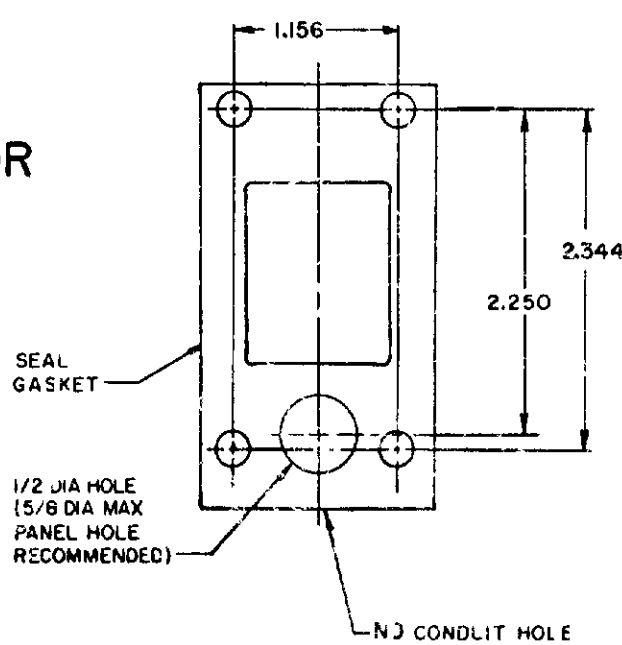


**CABLE EXTENSION
TYPE 7N ACTUATOR**



**CABLE EXTENSION
TYPE 7N ACTUATOR**

**REPLACEMENT ACTUATOR
LSZ 4011**



**MANIFOLD MOUNT (PLUG-IN ONLY)
SINGLE POLE AND DOUBLE POLE
TYPE LSYA THROUGH LSYW SERIES**

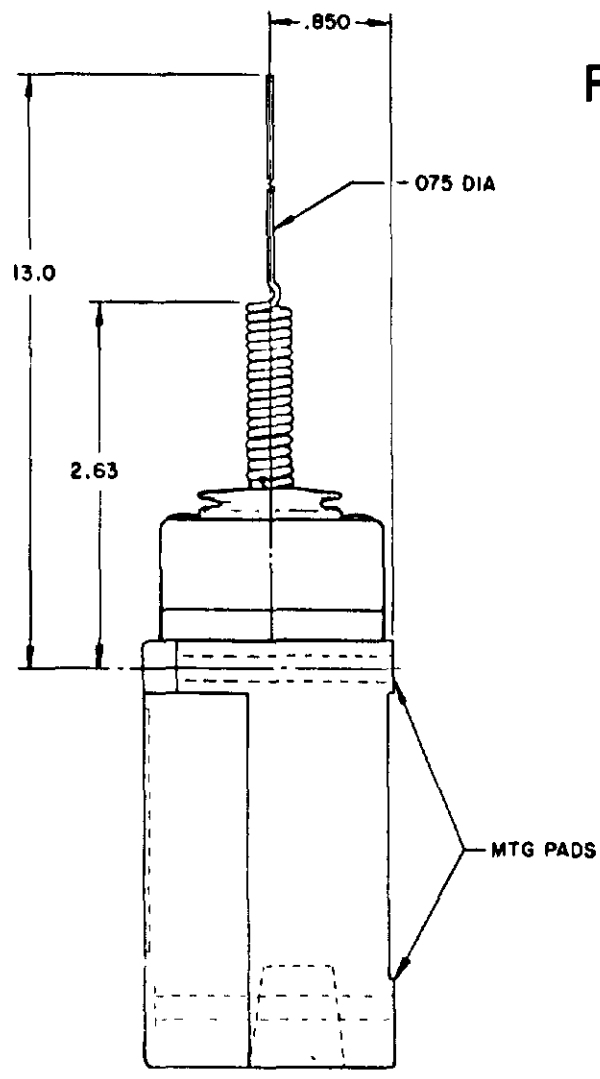
NOTES:
1 - ALL UNITS AVAILABLE WITH
FLUOROSILICONE AND VITON SEALS

MICRO SWITCH
A DIVISION OF HONEYWELL

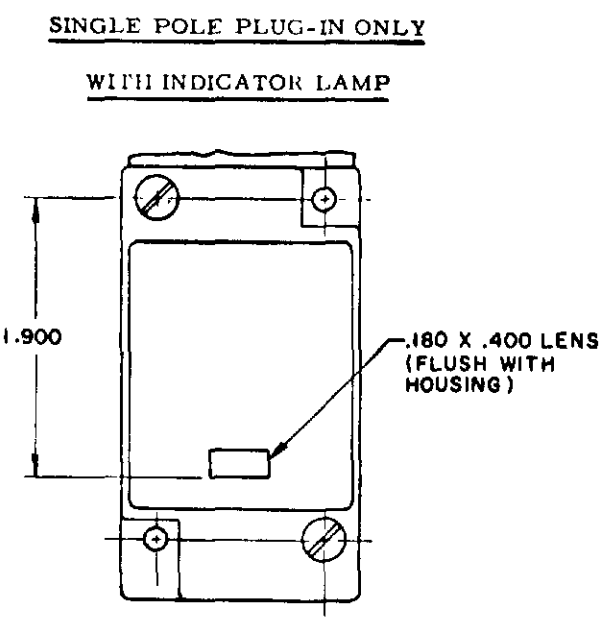
SWITCH-ENCLOSED

**LSY SERIES
CHART 1**

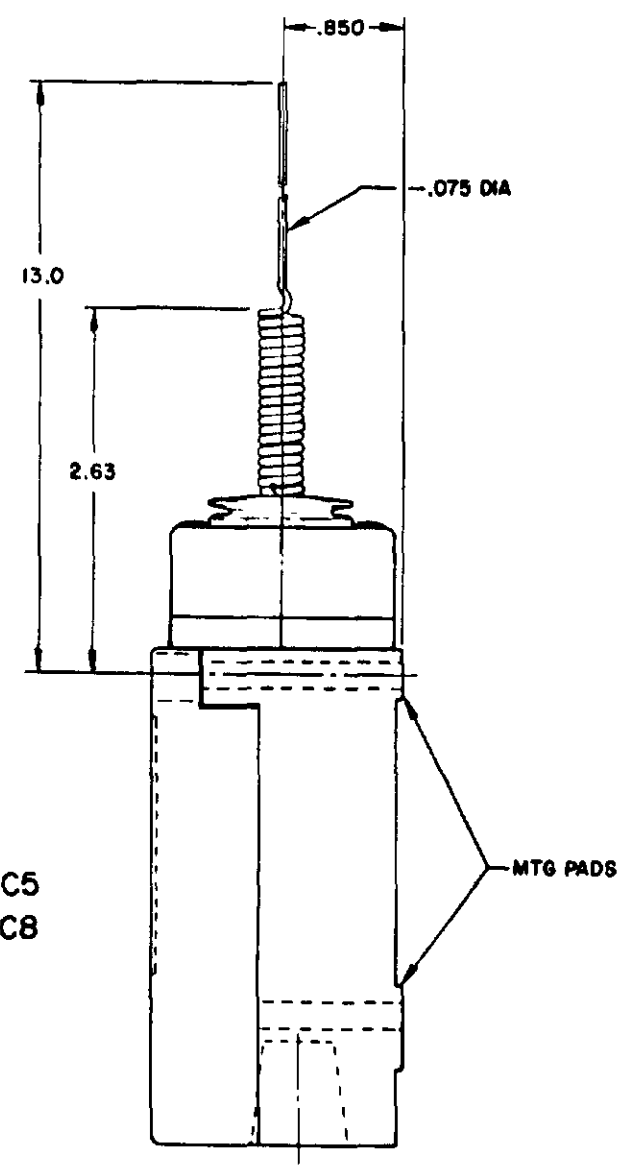
SCALE NONE
DO NOT SCALE PRINT



REPLACEMENT ACTUATOR LSZ4010



120 LAMP VOLTAGE TYPE-LSYJB5 & LSYJC5
 240 LAMP VOLTAGE TYPE-LSYJB8 & LSYJC8



WIRE EXTENSION TYPE 7M ACTUATOR

FLOUROSILICONE SEALS
 LSYJB2 & LSYJB4
 LSYJB6 & LSYJB7 HAVE 1/2-14 NPT CONDUIT HOLE
 VITON SEALS LSYJC2 & LSYJC4
 LSYJC6 & LSYJC7 HAVE 1/2-14 NPT CONDUIT HOLE

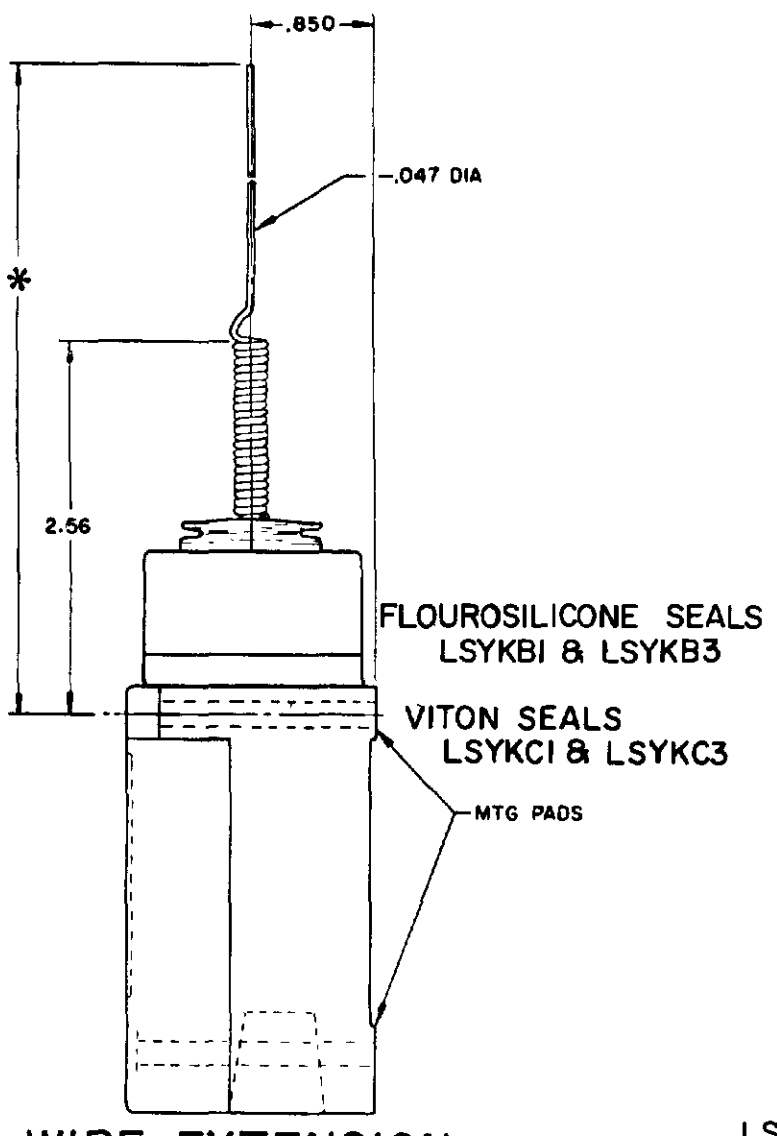
WIRE EXTENSION TYPE 7M ACTUATOR

FLOUROSILICONE SEALS
 LSYJB1 & LSYJB3
 VITON SEALS
 LSYJC1 & LSYJC3

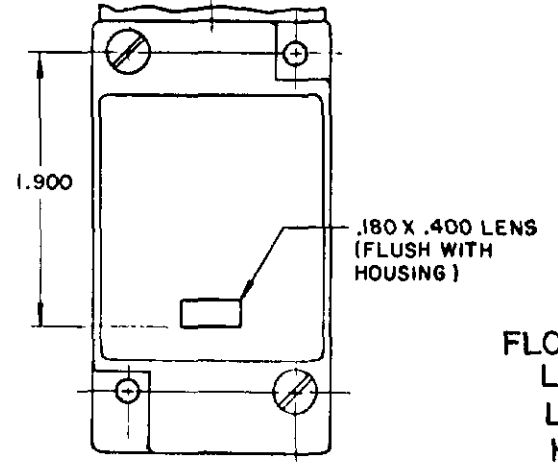
REPLACEMENT ACTUATOR LSZ 4010

CAT WHISKER

SINGLE POLE



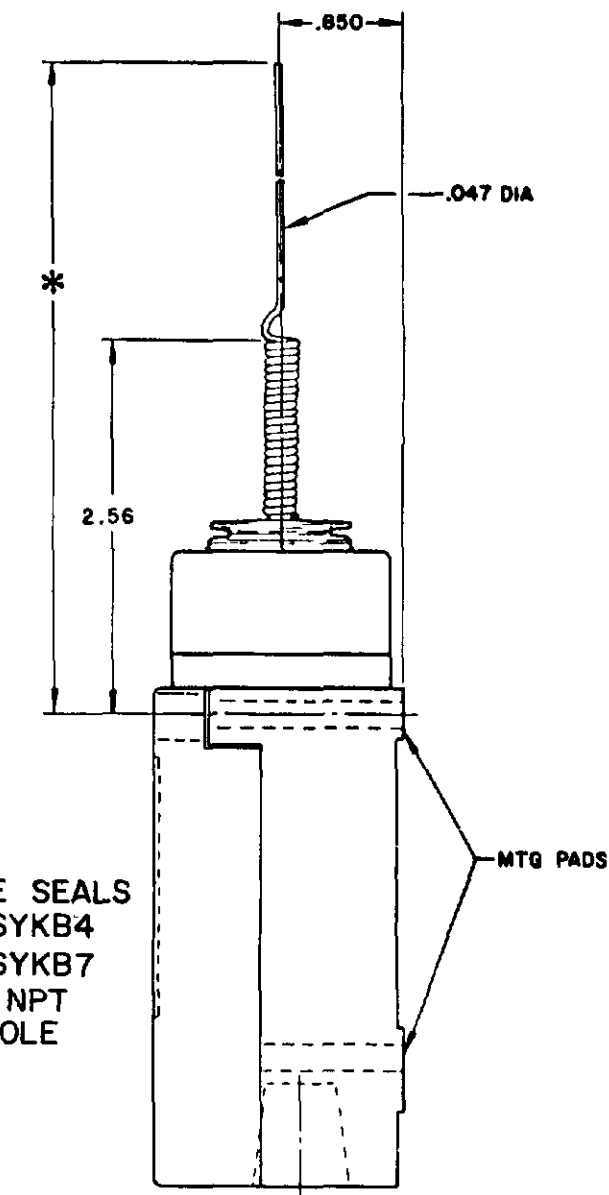
SINGLE POLE PLUG-IN ONLY
 WITH INDICATOR LAMP



FLOUROSILICONE SEALS
 120 LAMP VOLTAGE
 LSYKB5 CAT WHISKER LSYBB5 TOP ROTARY
 240 LAMP VOLTAGE
 LSYKB8 CAT WHISKER LSYBB8 TOP ROTARY

VITON SEALS
 120 LAMP VOLTAGE
 LSYKC5 CAT WHISKER LSYBC5 TOP ROTARY
 240 LAMP VOLTAGE
 LSYKC8 CAT WHISKER LSYBC8 TOP ROTARY

DOUBLE POLE



FLOUROSILICONE SEALS
 LSYKB2 & LSYKB4
 LSYKB6 & LSYKB7
 HAVE 1/2-14 NPT
 CONDUIT HOLE

WIRE EXTENSION REPLACEMENTS

*TYPE 8 A ACTUATOR 5.5 IN.-LSZ 4012
 TYPE 8 B ACTUATOR 7.5 IN.-LSZ 4013
 TYPE 8 C ACTUATOR 5.5 IN.-LSZ 4014

WIRE EXTENSION
 *TYPE 8 A ACTUATOR 5.5 IN.
 TYPE 8 B ACTUATOR 7.5 IN.
 TYPE 8 C COIL ACTUATOR 5.5 IN

PRETRAVEL (APPROX) IN. RADIUS	CAT WHISKER			WOBBLE STICK		
	5/16" COIL	5/16" WIRE	7/16" WIRE	ROD	CABLE	WIRE
	2	2	4.5	1.0	1.5	4.0
OPERATING FORCE-OZ (MAX)	7.0	5.0	3.0	10.0	7.0	5.0

NOTE-
 1 - ALL UNITS AVAILABLE WITH
 FLOUROSILICONE AND VITON SEALS

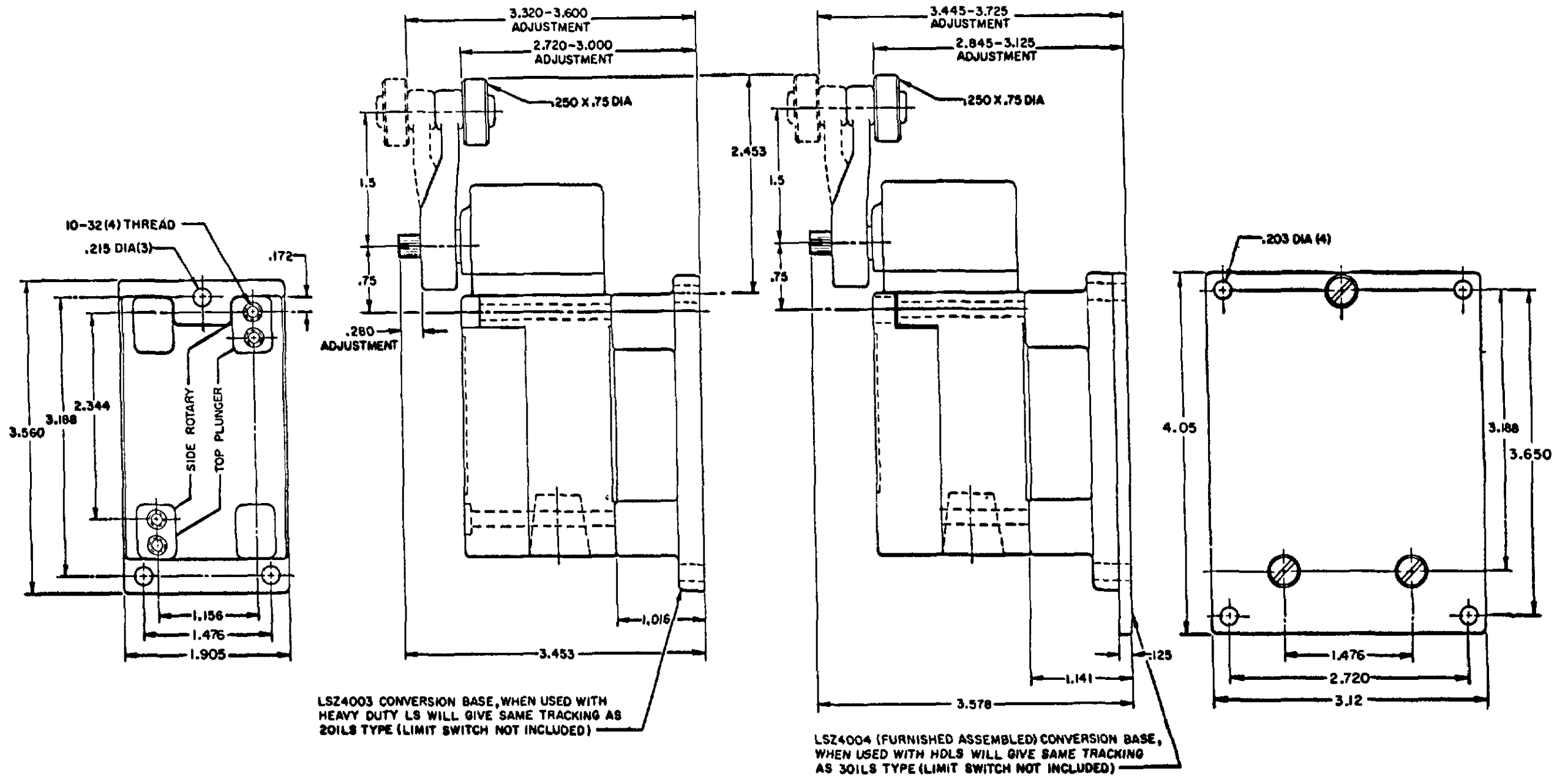
MICRO SWITCH
 THIS DRAWING COVERS A PROPRIETARY ITEM AND IS THE PROPERTY OF MICRO SWITCH A DIVISION OF HONEYWELL. THIS DRAWING IS NOT TO BE COPIED OR USED WITHOUT THE APPROVAL OF MICRO SWITCH.
 MICRO SWITCH
 FREEPORT, ILLINOIS, U.S.A.
 A DIVISION OF HONEYWELL
 FIG. 876 CODE 8188
SWITCH - ENCLOSED
 LSY SERIES
 CHART 1

SCALE NONE
 DO NOT SCALE PRINT

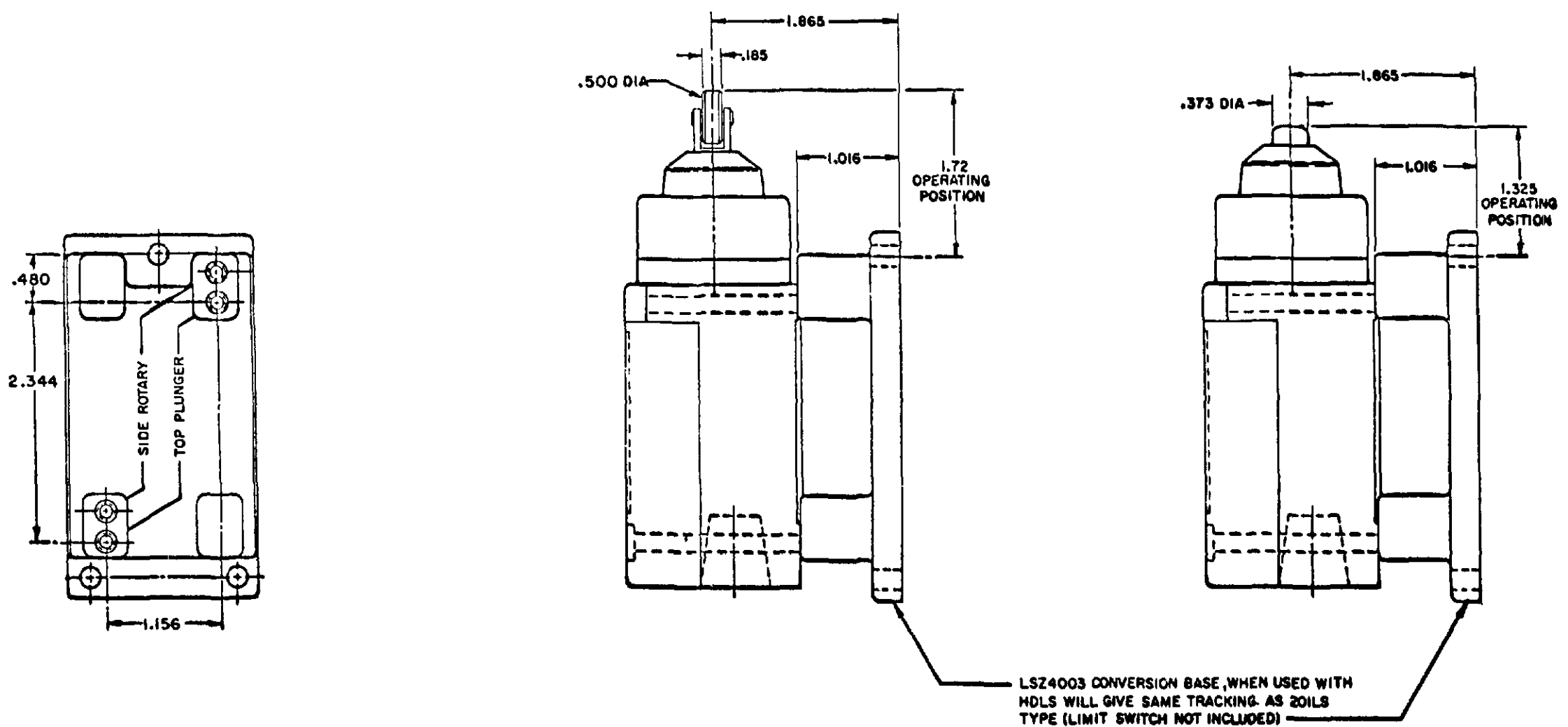
CONVERSION BASES

SINGLE POLE (SIDE ROTARY) LSZ 4003

DOUBLE POLE (SIDE ROTARY) LSZ4004



SINGLE POLE TOP PLUNGER LSZ4003



MICRO SWITCH
 A DIVISION OF HONEYWELL
 PREPARED IN ILLINOIS U.S.A.
 F.D. MFG. CODE 8188

SWITCH - ENCLOSED

LSY SERIES
 CHART 1

SCALE FULL
 DO NOT SCALE PRINT

TEMPERATURE LIMITATIONS FOR
DEVICES WITH FLUORSILICONE (LSYAB**) AND VITON (LSYAC**) SEALS

	3	1	1	1	1	1	2	2	4	1	1	1	1	1	1	1	1	2	1	4	4	1	1	1
FLUOR-SILICONE ¹		4	1	1	1	1	1	2	2	4	1	1	1	1	1	1	1	2	1	4	4	1	1	1
VITON ²		1	1	1	1	1	1	1	1	1	1	1	1	1	1	1	1	1	1	1	1	1	1	1

CODE: 1 SATISFACTORY 2 FAIR 3 DOUBTFUL 4 UNSATISFACTORY

- ¹ FLUORSILICONE SEAL (LSYAB**) FOR LOW TEMPERATURE APPLICATIONS
- ² VITON SEALS (LSYAC**) FOR FIRE-RESISTANT FLUIDS
- ³ ALL EXCEPT A60

	LOW LIMIT	HIGH LIMIT
LSYAB	-40°F	+250°F
LSYAC	+10°F	+250°F
LSYBB	-20°F	+250°F
LSYBC	+30°F	+250°F
LSYCB	-40°F	+200°F
LSYCC	+10°F	+250°F
LSYDB	-40°F	+200°F
LSYDC	+10°F	+250°F
LSYEB	-40°F	+200°F
LSYEC	+10°F	+250°F
LSYFB	-40°F	+200°F
LSYFC	+10°F	+250°F
LSYGB	-20°F	+200°F
LSYGC	+30°F	+250°F
LSYHB	-20°F	+250°F
LSYHC	+30°F	+250°F
LSYJB	-40°F	+250°F
LSYJC	+30°F	+250°F
LSYKB	-20°F	+250°F
LSYKC	+30°F	+250°F
LSYLB	-40°F	+250°F
LSYLC	+10°F	+250°F
LSYMB	-40°F	+250°F
LSYMC	+10°F	+250°F
LSYNB	-20°F	+250°F
LSYNC	+30°F	+250°F
LSYPB	-40°F	+250°F
LSYPC	+10°F	+250°F
LSYRB	-20°F	+250°F
LSYRC	+30°F	+250°F
LSYVB	-40°F	+200°F
LSYVC	+10°F	+250°F
LSYWB	-40°F	+200°F
LSYWC	+10°F	+250°F

RASTER DRAWN GJW 24 AUG 94
 CHECK JAF 12 SEP 94
 ISSUE 7 PSR 10JUL07
 RELEASE NO CO-78499
 REPLACES LSY SERIES
 LSY SERIES CHART 1
 PAGE 10 OF 10
 CATALOG LISTING

REV. NO.	DATE	DESCRIPTION	CHECKED
A	06 09 94		AK
B	10 JAN 00		AK
C	23 JUN 00		AK
D	23 JAN 01		AK
E	0012601		AK
F	10031956		AK

<p>THIS DRAWING COVERS A PROPRIETARY ITEM AND IS THE PROPERTY OF MICRO SWITCH A DIVISION OF HONEYWELL. THIS DRAWING IS NOT TO BE COPIED OR USED WITHOUT THE APPROVAL OF MICRO SWITCH.</p>		<p>SCALE DO NOT SCALE PRINT</p>
<p>MICRO SWITCH FREEPORT ILLINOIS U.S.A. A DIVISION OF HONEYWELL FED MFG CODE 91929</p>	<p>SWITCH - ENCLOSED</p>	<p>CATALOG LISTING LSY SERIES CHART 1</p>