



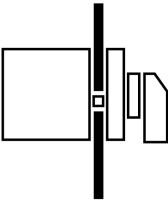
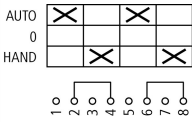

**Changeoverswitches, Contacts: 4, 20 A, front plate: HAND-0-AUTO, 45 °, maintained, flush mounting**

**Part no. T0-2-15432/E**  
**Article no. 034110**



Similar to illustration

## Delivery programme

|  |       |                 |  |      |   |   |  |   |  |  |  |      |  |   |   |
|--|-------|-----------------|--|------|---|---|--|---|--|--|--|------|--|---|---|
| Product range                          |       |                 | Control switches   |      |   |   |  |   |  |  |  |      |  |   |   |
| Part group reference                   |       |                 | T0   |      |   |   |  |   |  |  |  |      |  |   |   |
| Basic function                         |       |                 | Changeoverswitches<br>with black thumb grip and front plate  |      |   |   |  |   |  |  |  |      |  |   |   |
| Contacts                               |       |                 | 4  |      |   |   |  |   |  |  |  |      |  |   |   |
| Degree of Protection                   |       |                 | Front IP65   |      |   |   |  |   |  |  |  |      |  |   |   |
| Design                                 |       |                 | flush mounting   |      |   |   |  |   |  |  |  |      |  |   |   |
|  |       |                 |    |      |   |   |  |   |  |  |  |      |  |   |   |
| Contact sequence                       |       |                 | <table border="1" data-bbox="890 958 1082 1079"> <tr> <td>AUTO</td> <td>X</td> <td>X</td> <td></td> </tr> <tr> <td>0</td> <td></td> <td></td> <td></td> </tr> <tr> <td>HAND</td> <td></td> <td>X</td> <td>X</td> </tr> </table>  | AUTO | X | X |  | 0 |  |  |  | HAND |  | X | X |
| AUTO                                   | X     | X               |  |      |   |   |  |   |  |  |  |      |  |   |   |
| 0                                      |       |                 |  |      |   |   |  |   |  |  |  |      |  |   |   |
| HAND                                   |       | X               | X  |      |   |   |  |   |  |  |  |      |  |   |   |
| Switching angle                        |       | °               | 45   |      |   |   |  |   |  |  |  |      |  |   |   |
| Switching performance                  |       |                 | maintained<br>With 0 (Off) position  |      |   |   |  |   |  |  |  |      |  |   |   |
| Front plate no.                        |       |                 | <br><b>FS 1401</b>   |      |   |   |  |   |  |  |  |      |  |   |   |
| front plate                            |       |                 | HAND-0-AUTO  |      |   |   |  |   |  |  |  |      |  |   |   |
| <b>Motor rating AC-23A, 50 - 60 Hz</b> |       |                 |  |      |   |   |  |   |  |  |  |      |  |   |   |
| 400 V                                  | P     | kW              | 5.5  |      |   |   |  |   |  |  |  |      |  |   |   |
| Rated uninterrupted current            | $I_u$ | A               | 20   |      |   |   |  |   |  |  |  |      |  |   |   |
| Number of contact units                |       | contact unit(s) | 2  |      |   |   |  |   |  |  |  |      |  |   |   |

## Technical data

|                                       |           |      |  |
|---------------------------------------|-----------|------|--|
| <b>General</b>                        |           |      |  |
| Standards                             |           |      | IEC/EN 60947, VDE 0660, IEC/EN 60204, CSA, UL<br>Switch-disconnector according to IEC/EN 60947-3 |
| Climatic proofing                     |           |      | Damp heat, constant, to IEC 60068-2-78<br>Damp heat, cyclic, to IEC 60068-2-30                   |
| Ambient temperature                   |           |      |  |
| Open                                  |           | °C   | -25 - +50  |
| Enclosed                              |           | °C   | -25 - +40  |
| Overvoltage category/pollution degree |           |      | III/3  |
| Rated impulse withstand voltage       | $U_{imp}$ | V AC | 6000   |
| Mechanical shock resistance           |           | g    | 15   |

|   |  |  |                               |
|---|--|--|-------------------------------|
| Mounting position   |  |  | As required                   |
| Protection against direct contact when actuated from front (EN 50274) |  |  | Finger and back-of-hand proof |

## Contacts

|   |          |              |  |
|---|----------|--------------|--|
| Electrical characteristics                          |          |              |  |
| Rated operational voltage                           | $U_e$    | V AC         | 690  |
| Rated uninterrupted current                         | $I_u$    | A            | 20   |
| Note on rated uninterrupted current $I_u$           |          |              | Rated uninterrupted current $I_u$ is specified for max. cross-section. |
| Load rating with intermittent operation, class 12   |          |              |  |
| AB 25 % DF  |          | $\times I_e$ | 2  |
| AB 40 % DF  |          | $\times I_e$ | 1.6  |
| AB 60 % DF  |          | $\times I_e$ | 1.3  |
| Short-circuit rating                                |          |              |  |
| Fuse  |          | A gG/gL      | 20   |
| Rated short-time withstand current (1 s current)    | $I_{cw}$ | $A_{rms}$    | 320  |
| Note on rated short-time withstand current $I_{cw}$ |          |              | Current for a time of 1 second   |
| Rated conditional short-circuit current             | $I_q$    | kA           | 6  |

## Switching capacity

|  |              |               |       |
|--|--------------|---------------|-------|
| cos $\phi$ rated making capacity as per IEC 60947-3            |              | A             | 130   |
| Rated breaking capacity cos $\phi$ to IEC 60947-3              |              | A             |       |
| 230 V  |              | A             | 100   |
| 400/415 V  |              | A             | 110   |
| 500 V  |              | A             | 80    |
| 690 V  |              | A             | 60    |
| Safe isolation to EN 61140                                     |              |               |       |
| between the contacts   |              | V AC          | 440   |
| Current heat loss per contact at $I_e$                         |              | W             | 0.6   |
| Current heat loss per auxiliary circuit at $I_e$ (AC-15/230 V) |              | CO            | 0.6   |
| Lifespan, mechanical   | Operations   | $\times 10^6$ | > 0.4 |
| Maximum operating frequency                                    | Operations/h |               | 1200  |
| AC   |              |               |       |
| AC-3   |              |               |       |
| Rating, motor load switch                                      | P            | kW            |       |
| 220 V 230 V  | P            | kW            | 3     |
| 230 V Star-delta   | P            | kW            | 5.5   |
| 400 V 415 V  | P            | kW            | 5.5   |
| 400 V Star-delta   | P            | kW            | 7.5   |
| 500 V  | P            | kW            | 5.5   |
| 500 V Star-delta   | P            | kW            | 7.5   |
| 690 V  | P            | kW            | 4     |
| 690 V Star-delta   | P            | kW            | 5.5   |
| Rated operational current motor load switch                    |              |               |       |
| 230 V  | $I_e$        | A             | 11.5  |
| 230 V star-delta   | $I_e$        | A             | 20    |
| 400V 415 V   | $I_e$        | A             | 11.5  |
| 400 V star-delta   | $I_e$        | A             | 20    |
| 500 V  | $I_e$        | A             | 9     |
| 500 V star-delta   | $I_e$        | A             | 15.6  |
| 690 V  | $I_e$        | A             | 4.9   |
| 690 V star-delta   | $I_e$        | A             | 8.5   |
| AC-21A   |              |               |       |
| Rated operational current switch                               |              |               |       |
| 440 V  | $I_e$        | A             | 20    |
| AC-23A   |              |               |       |
| Motor rating AC-23A, 50 - 60 Hz                                |              |               |       |
|  | P            | kW            |       |

|   |                   |                |   |
|---|-------------------|----------------|---|
| 230 V   | P                 | kW             | 3   |
| 400 V 415 V                                   | P                 | kW             | 5.5   |
| 500 V   | P                 | kW             | 7.5   |
| 690 V   | P                 | kW             | 5.5   |
| Rated operational current motor load switch   |                   |                |   |
| 230 V   | I <sub>e</sub>    | A              | 13.3  |
| 400 V 415 V                                   | I <sub>e</sub>    | A              | 13.3  |
| 500 V   | I <sub>e</sub>    | A              | 13.3  |
| 690 V   | I <sub>e</sub>    | A              | 7.6   |
| DC  |                   |                |   |
| DC-1, Load-break switches L/R = 1 ms          |                   |                |   |
| Rated operational current                     | I <sub>e</sub>    | A              | 10  |
| Voltage per contact pair in series            |                   | V              | 60  |
| DC-21A  |                   |                |   |
| Rated operational current                     | I <sub>e</sub>    | A              | 1   |
| Contacts                                      |                   | Quantity       | 1   |
| DC-23A, motor load switch L/R = 15 ms         |                   |                |   |
| 24 V  |                   |                |   |
| Rated operational current                     | I <sub>e</sub>    | A              | 10  |
| Contacts                                      |                   | Quantity       | 1   |
| 48 V  |                   |                |   |
| Rated operational current                     | I <sub>e</sub>    | A              | 10  |
| Contacts                                      |                   | Quantity       | 2   |
| 60 V  |                   |                |   |
| Rated operational current                     | I <sub>e</sub>    | A              | 10  |
| Contacts                                      |                   | Quantity       | 3   |
| 120 V   |                   |                |   |
| Rated operational current                     | I <sub>e</sub>    | A              | 5   |
| Contacts                                      |                   | Quantity       | 3   |
| 240 V   |                   |                |   |
| Rated operational current                     | I <sub>e</sub>    | A              | 5   |
| Contacts                                      |                   | Quantity       | 5   |
| DC-13, Control switches L/R = 50 ms           |                   |                |   |
| Rated operational current                     | I <sub>e</sub>    | A              | 10  |
| Voltage per contact pair in series            |                   | V              | 32  |
| Control circuit reliability at 24 V DC, 10 mA | Fault probability | H <sub>F</sub> | < 10 <sup>-5</sup> , < 1 fault in 100000 operations |

### Terminal capacities

|                                     |  |                 |                                      |
|-------------------------------------|--|-----------------|--------------------------------------|
| Solid or stranded                   |  | mm <sup>2</sup> | 1 x (1 - 2,5)<br>2 x (1 - 2,5)       |
| Flexible with ferrules to DIN 46228 |  | mm <sup>2</sup> | 1 x (0.75 - 2.5)<br>2 x (0.75 - 2.5) |
| Terminal screw                      |  |                 | M3.5                                 |
| Max. tightening torque              |  | Nm              | 1                                    |

### Technical safety parameters:

|              |  |  |   |
|--------------|--|--|---|
| <b>Notes</b> |  |  | B10 <sub>q</sub> values as per EN ISO 13849-1, table C1 |
|--------------|--|--|---|

### Approbierte Leistungsdaten

|                   |  |       |      |
|-------------------|--|-------|------|
| Terminal capacity |  |       |      |
| Terminal screw    |  |       | M3.5 |
| Tightening torque |  | lb-in | 8.83 |

### Design verification as per IEC/EN 61439

|  |                  |   |     |
|--|------------------|---|-----|
| Technical data for design verification                   |                  |   |     |
| Rated operational current for specified heat dissipation | I <sub>n</sub>   | A | 20  |
| Heat dissipation per pole, current-dependent             | P <sub>vid</sub> | W | 0.6 |
| Equipment heat dissipation, current-dependent            | P <sub>vid</sub> | W | 0   |

|  |                   |    |  |
|--|-------------------|----|--|
| Static heat dissipation, non-current-dependent   | P <sub>vs</sub>   | W  | 0  |
| Heat dissipation capacity  | P <sub>diss</sub> | W  | 0  |
| Operating ambient temperature min.   |                   | °C | -25  |
| Operating ambient temperature max.   |                   | °C | 50   |
| IEC/EN 61439 design verification   |                   |    |  |
| 10.2 Strength of materials and parts   |                   |    |  |
| 10.2.2 Corrosion resistance  |                   |    | Meets the product standard's requirements.   |
| 10.2.3.1 Verification of thermal stability of enclosures   |                   |    | Meets the product standard's requirements.   |
| 10.2.3.2 Verification of resistance of insulating materials to normal heat   |                   |    | Meets the product standard's requirements.   |
| 10.2.3.3 Verification of resistance of insulating materials to abnormal heat and fire due to internal electric effects |                   |    | Meets the product standard's requirements.   |
| 10.2.4 Resistance to ultra-violet (UV) radiation   |                   |    | Please enquire   |
| 10.2.5 Lifting   |                   |    | Does not apply, since the entire switchgear needs to be evaluated.   |
| 10.2.6 Mechanical impact   |                   |    | Does not apply, since the entire switchgear needs to be evaluated.   |
| 10.2.7 Inscriptions  |                   |    | Meets the product standard's requirements.   |
| 10.3 Degree of protection of ASSEMBLIES  |                   |    | Does not apply, since the entire switchgear needs to be evaluated.   |
| 10.4 Clearances and creepage distances   |                   |    | Meets the product standard's requirements.   |
| 10.5 Protection against electric shock   |                   |    | Does not apply, since the entire switchgear needs to be evaluated.   |
| 10.6 Incorporation of switching devices and components   |                   |    | Does not apply, since the entire switchgear needs to be evaluated.   |
| 10.7 Internal electrical circuits and connections  |                   |    | Is the panel builder's responsibility.   |
| 10.8 Connections for external conductors   |                   |    | Is the panel builder's responsibility.   |
| 10.9 Insulation properties   |                   |    |  |
| 10.9.2 Power-frequency electric strength   |                   |    | Is the panel builder's responsibility.   |
| 10.9.3 Impulse withstand voltage   |                   |    | Is the panel builder's responsibility.   |
| 10.9.4 Testing of enclosures made of insulating material   |                   |    | Is the panel builder's responsibility.   |
| 10.10 Temperature rise   |                   |    | The panel builder is responsible for the temperature rise calculation. Eaton will provide heat dissipation data for the devices. |
| 10.11 Short-circuit rating   |                   |    | Is the panel builder's responsibility. The specifications for the switchgear must be observed.                                   |
| 10.12 Electromagnetic compatibility  |                   |    | Is the panel builder's responsibility. The specifications for the switchgear must be observed.                                   |
| 10.13 Mechanical function  |                   |    | The device meets the requirements, provided the information in the instruction leaflet (IL) is observed.                         |

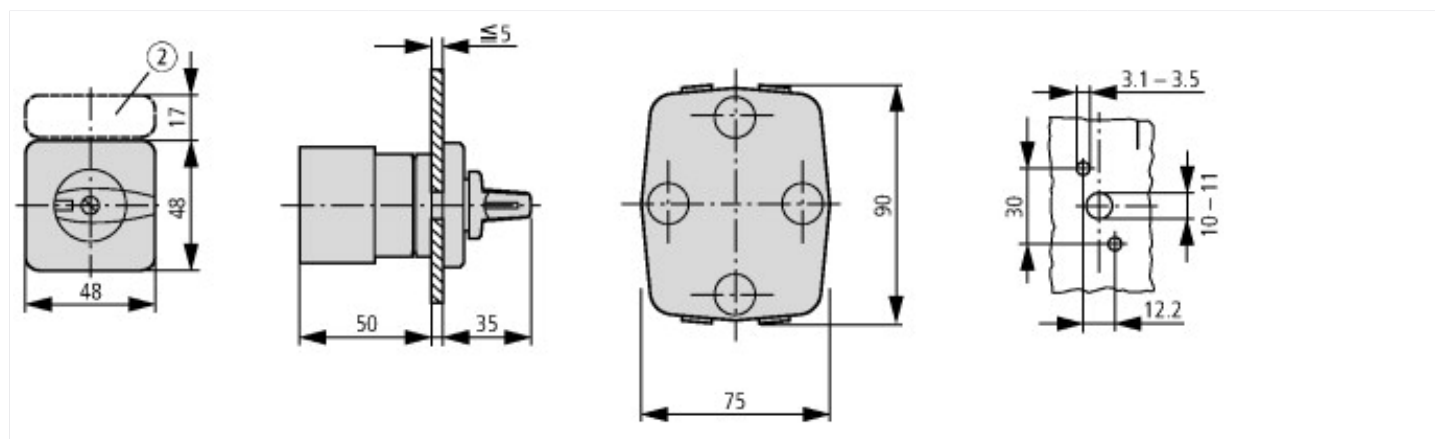
## Technical data ETIM 6.0

|   |  |   |                 |
|---|--|---|-----------------|
| Low-voltage industrial components (EG000017) / Control switch (EC002611)  |  |   |                 |
| Electric engineering, automation, process control engineering / Low-voltage switch technology / Off-load switch, circuit breaker, control switch / Control switch (ecl@ss8.1-27-37-14-14 [ACN998008]) |  |   |                 |
| Type of switch  |  |   | Reverser        |
| Number of poles   |  |   | 2               |
| Max. rated operation voltage U <sub>e</sub> AC  |  | V | 690             |
| Rated permanent current I <sub>u</sub>  |  | A | 20              |
| Number of switch positions  |  |   | 3               |
| With 0 (off) position   |  |   | Yes             |
| With retraction in 0-position   |  |   | No              |
| Device construction   |  |   | Built-in device |
| Width in number of modular spacings   |  |   | 0               |
| Suitable for ground mounting  |  |   | No              |
| Suitable for front mounting 4-hole  |  |   | Yes             |
| Suitable for distribution board installation  |  |   | No              |
| Suitable for intermediate mounting  |  |   | No              |
| Complete device in housing  |  |   | No              |
| Type of control element   |  |   | Toggle          |
| Front shield size   |  |   | 48x48 mm        |
| Degree of protection (IP), front side   |  |   | IP65            |

## Approvals

|  |   |
|--|---|
|  | UL 508; CSA-C22.2 No. 14-05; CSA-C22.2 No. 94; IEC/EN 60947-3; CE marking |
|  | E36332  |
|  | NLRV  |
|  | 12528   |
|  | 3211-05   |
|  | UL listed, CSA certified  |
|  | Yes, in combination with "+NA" (105864)                                   |
|  | IEC: IP65; UL/CSA Type 1, 12  |

## Dimensions



② ZFS... Label mount not included as standard

## Additional product information (links)

### IL03801020Z (AWA1150-0586) Cam switch: Mounting

|  |   |
|--|---|
| IL03801020Z (AWA1150-0586) Cam switch: Mounting    | <a href="ftp://ftp.moeller.net/DOCUMENTATION/AWA_INSTRUCTIONS/IL03801020Z2015_08.pdf">ftp://ftp.moeller.net/DOCUMENTATION/AWA_INSTRUCTIONS/IL03801020Z2015_08.pdf</a>                           |
| Form for ordering non-standard front plates        | <a href="http://ecat.moeller.net/flip-cat/?edition=HPLEN&amp;startpage=4.87">http://ecat.moeller.net/flip-cat/?edition=HPLEN&amp;startpage=4.87</a>   |
| Display flip catalog page.                         | <a href="http://ecat.moeller.net/flip-cat/?edition=K115A&amp;startpage=108">http://ecat.moeller.net/flip-cat/?edition=K115A&amp;startpage=108</a>   |
| Technical overview cam switch, switch-disconnector | <a href="http://de.ecat.moeller.net/flip-cat/?edition=HPLTEv1&amp;startpage=4.2">http://de.ecat.moeller.net/flip-cat/?edition=HPLTEv1&amp;startpage=4.2</a>                                     |
| System overview cam switch T                       | <a href="http://de.ecat.moeller.net/flip-cat/?edition=HPLTEv1&amp;startpage=4.4">http://de.ecat.moeller.net/flip-cat/?edition=HPLTEv1&amp;startpage=4.4</a>                                     |
| System overview switch-disconnector P              | <a href="http://de.ecat.moeller.net/flip-cat/?edition=HPLTEv1&amp;startpage=4.6">http://de.ecat.moeller.net/flip-cat/?edition=HPLTEv1&amp;startpage=4.6</a>                                     |
| Key to part numbers Cam switch                     | <a href="http://de.ecat.moeller.net/flip-cat/?edition=HPLTEv1&amp;startpage=4.8">http://de.ecat.moeller.net/flip-cat/?edition=HPLTEv1&amp;startpage=4.8</a>                                     |
| Key to part numbers Switch-disconnector            | <a href="http://de.ecat.moeller.net/flip-cat/?edition=HPLTEv1&amp;startpage=4.8">http://de.ecat.moeller.net/flip-cat/?edition=HPLTEv1&amp;startpage=4.8</a>                                     |
| Switches for ATEX                                  | <a href="http://www.coopercrouse-hinds.eu/en/products/25-ex-safety-and-main-current-switches.html">http://www.coopercrouse-hinds.eu/en/products/25-ex-safety-and-main-current-switches.html</a> |
| UL/CSA: Rating data for approved types             | <a href="http://ecat.moeller.net/flip-cat/?edition=HPLTF&amp;startpage=4.98">http://ecat.moeller.net/flip-cat/?edition=HPLTF&amp;startpage=4.98</a>   |