

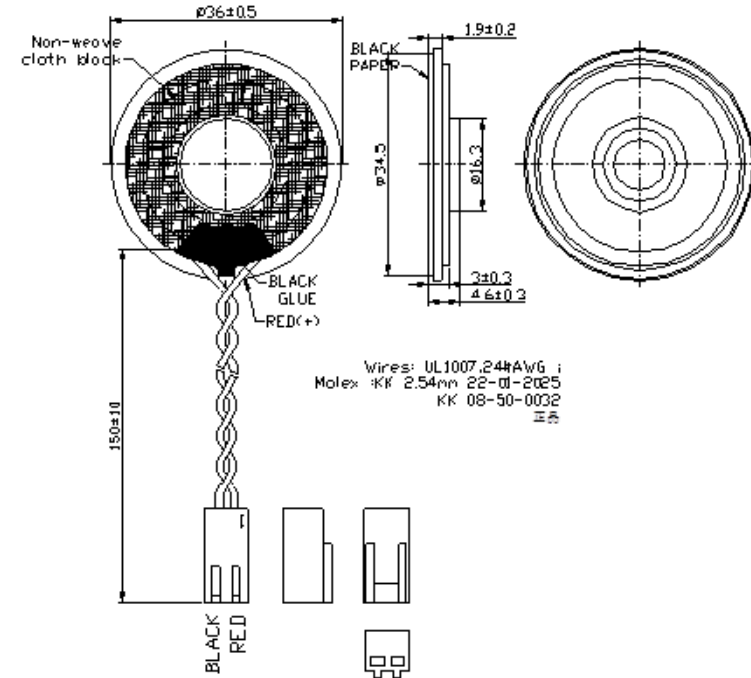
ABS-222-150-RC SPEAKER WITH 150MM LEADS WITH MOLEX KK CONNECTOR

SPEAKERS

Specifications

ABS-222-150-RC

Rated impedance	8±15%Ω
Nominal power	1W
Maximum power	1.2W
Resonant frequency	550±20%Hz
Frequency range	F0-11,000Hz
Sound output level at 1W/1m	85±3dB
Operating temperature	-20°C~+60°C
Storage temperature	-30°C~+60°C
Weight	8.25g
Magnet material	Nd-Fe-B
Magnet size	∅12.5x1.5mm



Features

- ROHS compliant
- Cone material: Black mylar
- Housing material: Metal

All data at 25°C unless otherwise specified

Dimensions Unit: mm



ALAN BUTCHER COMPONENTS LTD

Alan Butcher Components Ltd

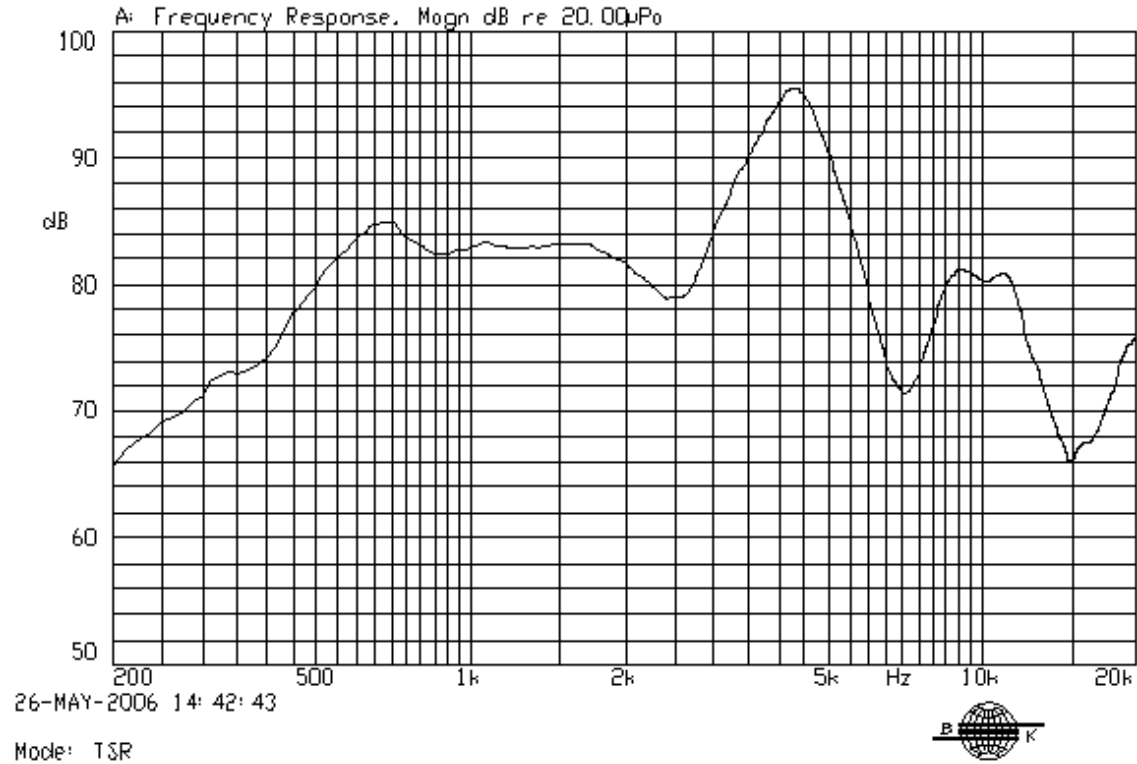
Unit 1 Beechwood Clump Farm Industrial Estate Tin Pot Lane Blandford Dorset DT11 7TD

Telephone 01258 456360 Facsimile 01258 459194 Email sales@abcomponents.co.uk

www.abcomponents.co.uk



BS EN ISO 9001 Certification No 5239



ALAN BUTCHER COMPONENTS LTD

Alan Butcher Components Ltd

Unit 1 Beechwood Clump Farm Industrial Estate Tin Pot Lane Blandford Dorset DT11 7TD

Telephone 01258 456360 Facsimile 01258 459194 Email sales@abcomponents.co.uk

www.abcomponents.co.uk



BS EN ISO 9001 Certification No 5239