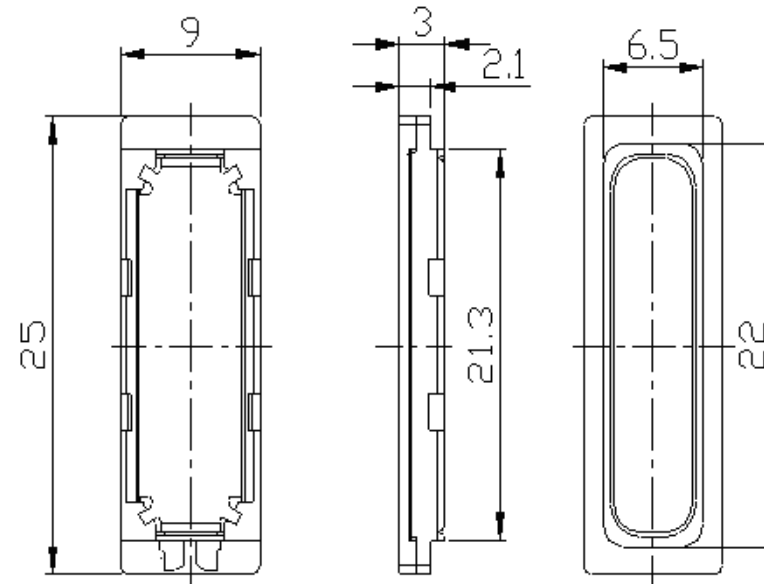


ABS-240-RC 25x9x3.0t 8OHM SPEAKER

SPEAKERS

Specifications

	ABS-240-RC
Rated impedance (3KHz/1V)	8±15%Ω
Rated input power	1.0W
Maximum input power (for 1 min in 2cc box)	1.5W
Resonant frequency	900±20%Hz/1V
Frequency range	f0-20,000Hz
Sound pressure level at 1W/0.1m at 1.5kHz	93±3dB
Total harmonic distortion (at 1KHz/1W in 2cc box)	10%Max
Operating temperature	-30~+70°C
Storage temperature	-40~+85°C
Weight	2.7g



Dimensions Unit: mm

Material

Frame & Gasket - Black Plastic	Plate - SPCC
Diaphragm - PEN+AL	Magnet - NdFeB
Voice coil - Copper Wire	PCB - SUS



ALAN BUTCHER COMPONENTS LTD

Alan Butcher Components Ltd

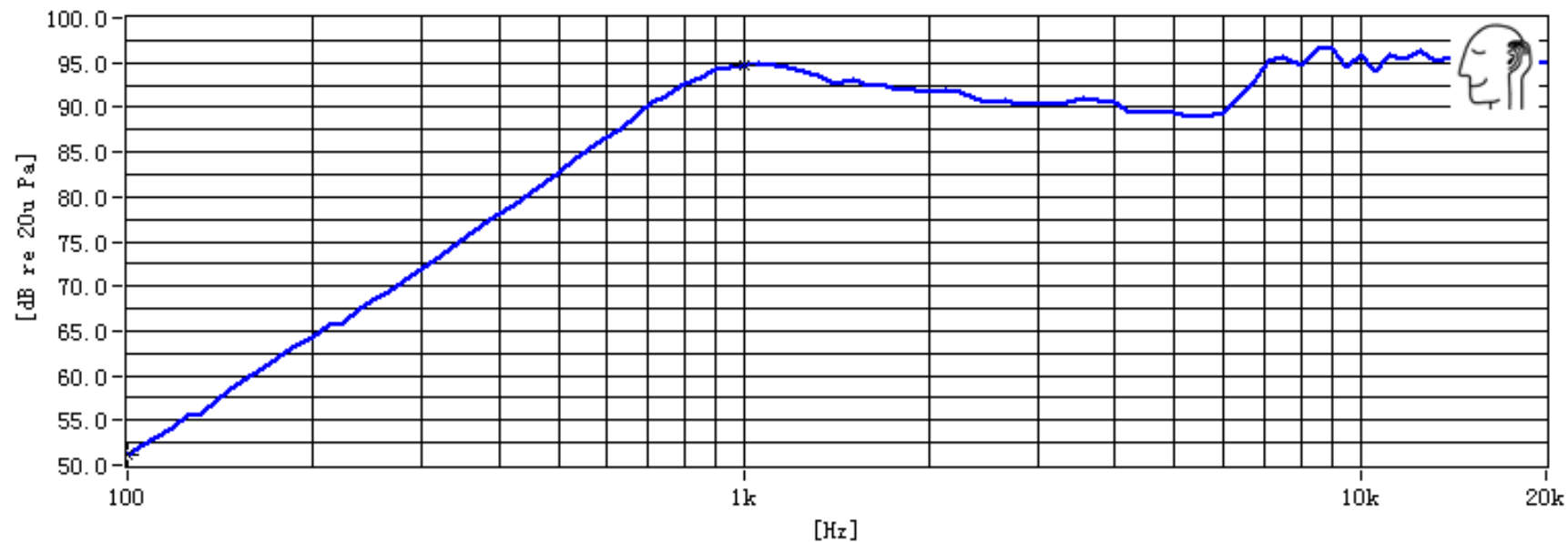
Unit 1 Beechwood Clump Farm Industrial Estate Tin Pot Lane Blandford Dorset DT11 7TD

Telephone 01258 456360 Facsimile 01258 459194 Email sales@abcomponents.co.uk

www.abcomponents.co.uk



BS EN ISO 9001 Certification No 5239



ALAN BUTCHER COMPONENTS LTD

Alan Butcher Components Ltd

Unit 1 Beechwood Clump Farm Industrial Estate Tin Pot Lane Blandford Dorset DT11 7TD

Telephone 01258 456360 Facsimile 01258 459194 Email sales@abcomponents.co.uk

www.abcomponents.co.uk



BS EN ISO 9001 Certification No 5239