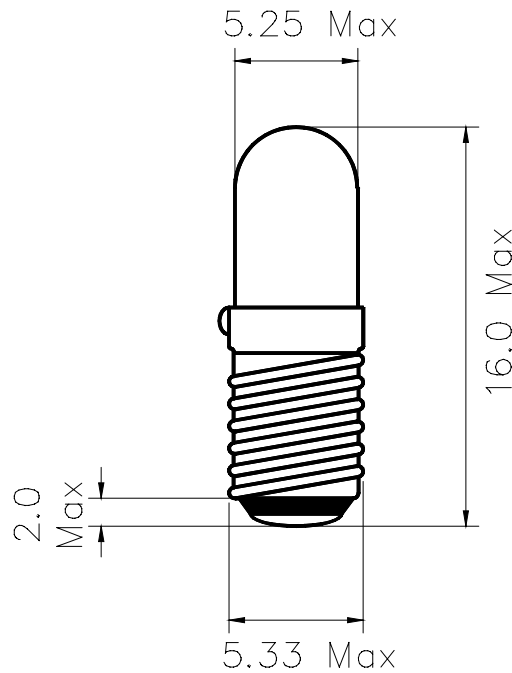


**PRODUCT
DATA SHEET**

Type	Size	Rating	Description	Part No.
Incandescent	T5	14V 0.037A	T-1½ Midget Screw Lamp	690



Drawing Not To Scale
All Dimensions In mm

PHOTOMETRY DATA

TEST VOLTS	CURRENT (mA)			LIGHT OUTPUT (Lm)			LIFE (Hours)
	Min.	Nom.	Max.	Min.	Nom.	Max.	
14.0	33	37	41	1.2	1.6	2.0	5,000

NOTES:

- 1) Lamp Base E5 (LES) in accordance with IEC61-1 (BS EN 60061-1, sheet 7004-25-x)
- 2) C-2F filament shape.
- 3) Lamp Marking: "VCH 690 14V 37mA" to be engraved on the cap.

Issue No.	Date	C.N. No.	Drawn	Tech	QA	M & P	Sales
1	23/7/98		NR				