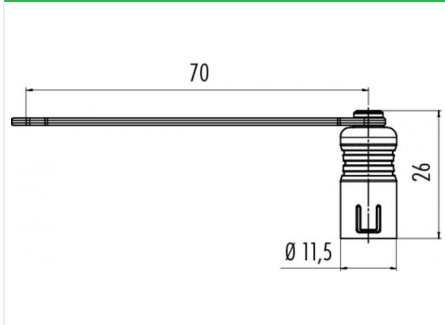


Product **620: Protection cap for female panel mount connector**

Area **Female panel mount connector, dip-solder Series**  
Article number **08 2831 000 000**

### Scale drawing



### Matching products

Female panel mount connector, black  
Female panel mount connector, red  
Female panel mount connector, blue  
Female panel mount connector, green  
Female panel mount connector, dip-solder