

1 Products affected

Product hierarchy no. *			Part no.	SBU	Type / Description	Customer part no.
SBU PG	PGU	Type				
02 005	016	0000001113	See list below	Power Entry Modul	KD	
02 005	016	0000001115	See list below	Power Entry Modul	KD Bowdenzug	

*SBU (2-digit) / PG (3-digit) / PGU (3-digit) / Type (10-digit)

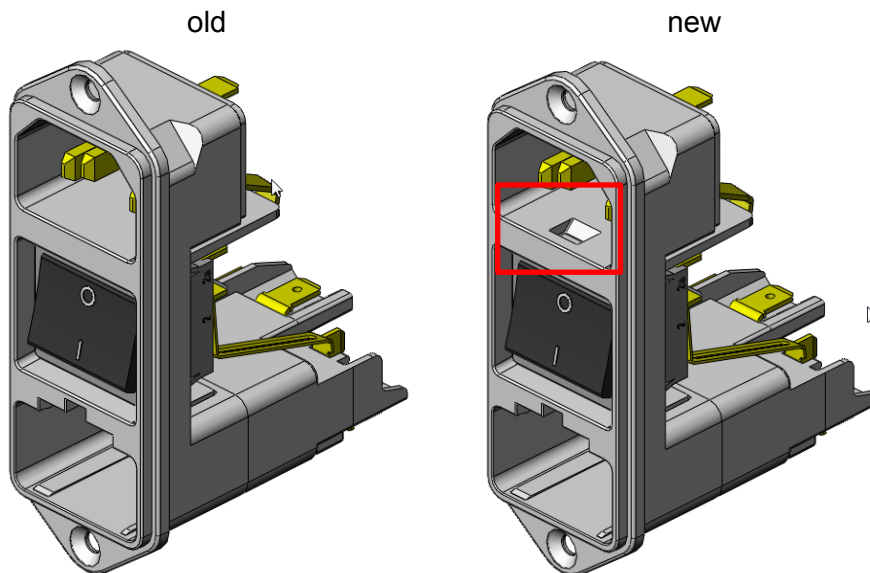
List of part numbers affected						
KD11.4199.105	KD13.1133.107	KD14.1101.107	KD14.1133.109	KD14.4132.105	KD14.4301.151	KD60.0011
KD11.4199.107	KD13.1133.151	KD14.1101.107.1	KD14.1133.151	KD14.4132.109	KD14.4401.107	KD60.0012
KD11.4199.109	KD13.1200.151	KD14.1101.109	KD14.1200.151	KD14.4132.151	KD14.4401.151	KD60.0013
KD11.4199.151	KD13.4101.105	KD14.1101.151	KD14.1201.151	KD14.4133.151	KD23.1101.109	KD90.1154
KD13.1101.105	KD13.4101.107	KD14.1101.151.1	KD14.1232.107	KD14.4198.107	KD23.1101.151.1	
KD13.1101.107	KD13.4101.109	KD14.1101.307	KD14.1301.151	KD14.4198.151	KD23.4101.151	
KD13.1101.109	KD13.4101.151	KD14.1105.151	KD14.2201.107	KD14.4198.199	KD24.1101.105	
KD13.1101.151	KD13.4132.151	KD14.1132.105	KD14.4101.105	KD14.4199.105	KD24.1101.107	
KD13.1105.151	KD13.4133.151	KD14.1132.107	KD14.4101.107	KD14.4199.107	KD24.1101.109	
KD13.1132.105	KD13.4201.151	KD14.1132.151	KD14.4101.109	KD14.4199.109	KD24.1101.151	
KD13.1132.107	KD13.4301.107	KD14.1133.105	KD14.4101.151	KD14.4199.151		
KD13.1132.151	KD14.1101.105	KD14.1133.107	KD14.4101.307	KD14.4201.151		

2 Type of change

V-Lock cord retaining feature as standard.

3 Detailed description of change

V-Lock feature integrated as standard (not an option anymore)



As the V-Lock is now a standard feature, the material numbers with index .21 are obsolete and will be replaced by the standard number:

- KD13.1101.151.21 → KD13.1101.151
- KD14.1101.105.21 → KD14.1101.105
- KD14.1101.151.21 → KD14.1101.151
- KD14.1133.151.21 → KD14.1133.151

KD Power Entry Module					0118.2256	
creation date	created by	release date	released by	notification no.	revision	page
2015-01-14	hollenpe	2015-06-08	hollenpe	26918	-	1 of 2

4 Reason of change

V-Lock cord retaining implemented as a standard feature.

5 Release date

The change will be rolled-out starting ww 25/2015 and lasts approx. 8 months depending on the variant.

6 Impact of change and recommended action

Form: Yes C14 inlet with V-Lock notch as standard
Fit: No There are no dimensional changes
Function: Yes V-Lock feature is standard (not an option anymore)
Production Site: No There are no change of the production site
Product Label: No No change of the product label

7 Reference Documents / Attachments

Kind of document	Document number	Remarks
Data Sheet KD		
Data Sheet KD-Bowdencable		

KD Power Entry Module					0118.2256	
creation date	created by	release date	released by	notification no.	revision	page
2015-01-14	hollenpe	2015-06-08	hollenpe	26918	-	2 of 2