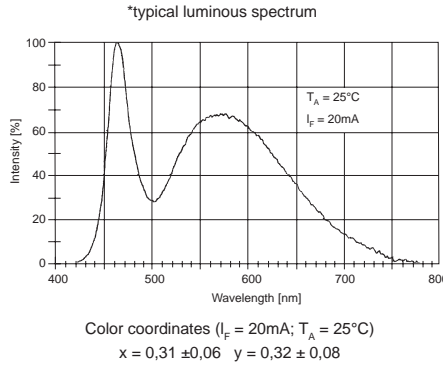
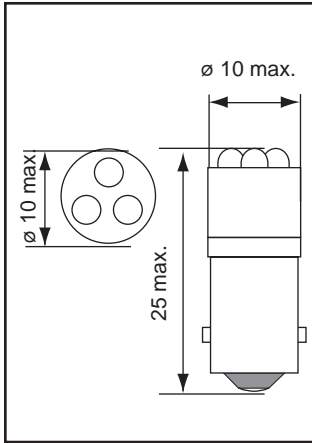


**18620, 186261, 186262 Series T 3/4 Bayonet Based Multi LED**

**DESCRIPTION AND FEATURES**



- Replaces incandescent lamp #'s  
 - 24V AC/DC — 24MB, 1437, 1818  
 - 28V AC/DC — 313, 757, 1819, 1820, 1829, 1843, 1864, 1873  
 - 125 and 230V AC — 949
- 3 high bright LEDs in one package
- Extremely high brightness with low current draw
- Long life — typically 100K hours vs. 10K hours
- Low heat generation
- Available in five standard colors. Custom colors available upon request
- Shock and vibration proof
- Storage temperature:  $-25^\circ\text{C} - +80^\circ\text{C}$
- Ambient temperature:  $-20^\circ\text{C} - +60^\circ\text{C}$
- Due to production tolerances, color temperature variations may be detected within individual consignments

**ELECTRO-OPTICAL CHARACTERISTICS AND RATINGS**

Part Number	Color	Voltage V AC/DC	Current mA	Lumi. Intensity mcd	Dominant Wavelength nm
18620350	Red	24	9 / 17	3 x 400	630
18620351	Green	24	5 / 10	3 x 680	525
18620352	Yellow	24	9 / 17	3 x 350	587
18620357	Blue	24	9 / 17	3 x 450	470
1862035W3	White Clear	24	9 / 17	3 x 850	*
1862035W3D	White Diffused	24	9 / 17	3 x 425	*
18620450	Red	28	9 / 17	3 x 400	630
18620451	Green	28	5 / 10	3 x 680	525
18620452	Yellow	28	9 / 17	3 x 350	587
18620457	Blue	28	9 / 17	3 x 450	470
1862045W3	White Clear	28	9 / 17	3 x 850	*
1862045W3D	White Diffused	28	9 / 17	3 x 425	*
18626130	Red	130	5	3 x 120	630
18626131	Green	130	5	3 x 330	525
18626132	Yellow	130	5	3 x 100	587
18626137	Blue	130	5	3 x 130	470
1862613W3	White Clear	130	5	3 x 250	*
1862613W3D	White Diffused	130	5	3 x 125	*
18626230	Red	230	3	3 x 70	630
18626231	Green	230	3	3 x 200	525
18626232	Yellow	230	3	3 x 60	587
18626237	Blue	230	3	3 x 80	470
1862623W3	White Clear	230	3	3 x 150	*
1862623W3D	White Diffused	230	3	3 x 75	*

Luminous intensity data of the used LEDs at:  $I_{OP,DC}$

Chicago Miniature Lamp reserves the right to make specification revisions that enhance the design and/or performance of the product.