

**PUSH WIRE® connector for junction boxes; 3-conductor terminal block; transparent housing; red cover**

Item No.: 773-173



*PUSH WIRE® connector for junction boxes; 3-conductor terminal block; transparent housing; red cover*

**Marking**

RoHS ✓  
Compliant

**Business data**

Supplier	WAGO
Item no.	773-173
GTIN / EAN	4050821215141
Content	1
Order amount	50
Customer item number	

**Notes**

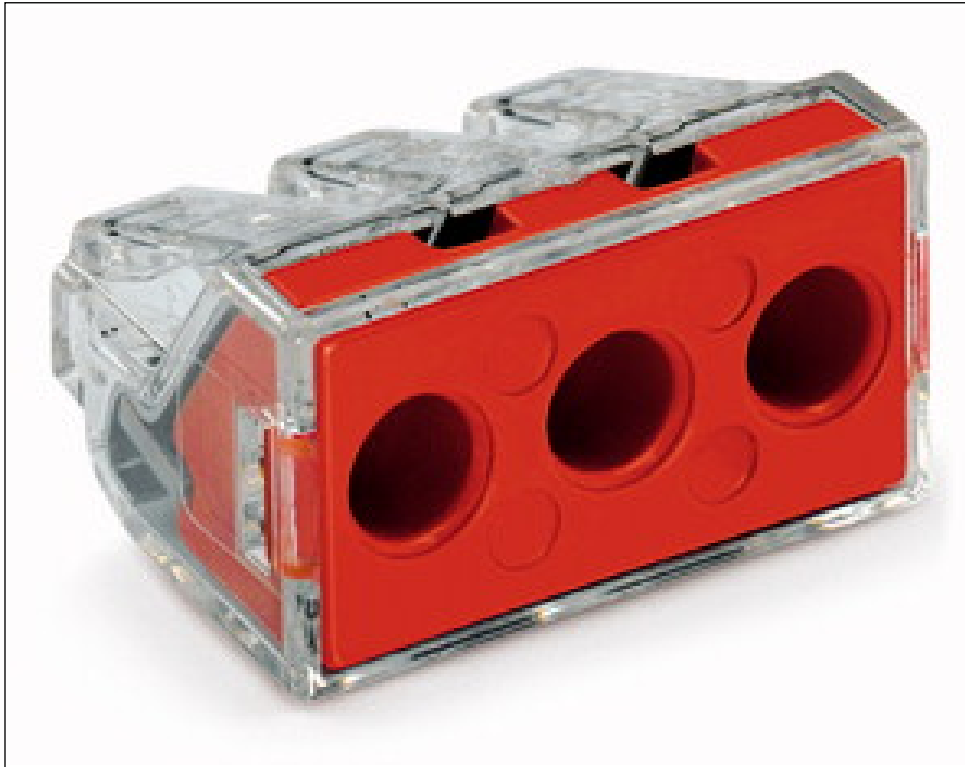
**Technical data**

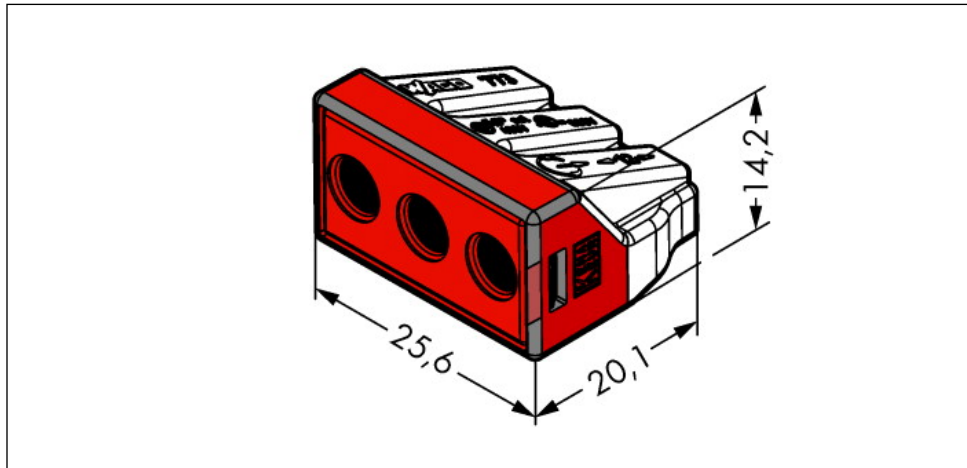
*Miscellaneous*

Total number of connection points	3
Total number of potentials	1
Color	transparent
Pollution degree (1)	2
Rated voltage EN (1) [V]	400 [V]
Rated surge voltage (1) [kV]	4 [kV]
Nominal current [A]	41 [A]
Connection technology (1)	PUSH WIRE®
Solid sizes 1	2.5 ... 6 mm <sup>2</sup> / 14 ... 10 AWG

<b>Technical data</b>	
<i>stranded, connectable 1</i>	<i>2.5 ... 6 mm<sup>2</sup> / 14 ... 10 AWG</i>
<i>Strip length 1</i>	<i>12 ... 13 mm / 0.47 ... 0.51 in</i>
<i>Type of wiring</i>	<i>Side-entry wiring</i>
<i>Fire load [MJ]</i>	<i>0.113 [MJ]</i>
<i>Weight [g]</i>	<i>5.752 [g]</i>
<i>Width</i>	<i>25.6 mm / 1.008 in</i>
<i>Height</i>	<i>14.2 mm / 0.559 in</i>
<i>Length</i>	<i>20.1 mm / 0.791 in</i>
<i>Safety information 1</i>	<i>In grounded power lines</i>

Images & drawings





### Address

WAGO Kontakttechnik GmbH & Co. KG

Hansastr. 27

32423 Minden

Telefon: 0571/887-0

Fax: 0571/887-169

<http://www.wago.com>

© WAGO Kontakttechnik GmbH & Co. KG

Technische Änderungen und Irrtümer vorbehalten.