

**Miniature Series 07
Oil Removal Filter
1/8 " and 1/4 " Port Sizes**

- **Compact design**
- **High efficiency oil and particle removal**
- **Screw-on bowl reduces maintenance time**
- **Can be disassembled without the use of tools or removal from the air line**


Technical Data

Fluid: Compressed air

Maximum pressure:

Transparent bowl: 10 bar (150 psig)

Metal bowl: 17 bar (250 psig)

Operating temperature:*

Transparent bowl: -20° to +50°C (0° to +125°F)

Metal bowl: -20° to +65°C (0° to +150°F)

* Air supply must be dry enough to avoid ice formation at temperatures below +2°C (+35°F)

Particle removal: Down to 0.01 µm

Air quality: Within ISO 8573-1, Class 1 (particulates) and Class 2 (oil content)

Maximum remaining oil content of air leaving the filter: 0.01ppm at +21°C (+70°F) with an inlet oil concentration of 17 ppm.

Maximum flow with 6,3 bar (90 psig) inlet pressure†:

G1/8 ports, 2,8 dm³/s (6.0 scfm)

G1/4 ports, 3 dm³/s (6.36 scfm)

† Maximum flow to maintain stated oil removal performance.

Nominal bowl size: 31 ml (1 fluid ounce)

Drain connection: 1/8" pipe

Automatic drain operation: Spitter type drain operates momentarily when a rapid change in air flow occurs or when the supply pressure is reduced.

Materials:

Body: Zinc

Bowl:

Transparent: Polycarbonate

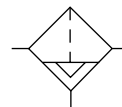
Metal: Zinc

Element: Synthetic fiber and polyurethane foam

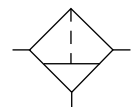
Elastomers: Neoprene & nitrile

Ordering Information

See *Ordering Information* on the following pages.

ISO Symbols


Automatic drain



Manual drain



Typical Performance Characteristics

INLET PRESSURE		MAXIMUM FLOW†	
bar	(psig)	dm ³ /s	(scfm)
1	(15)	1,2	(2.5)
3	(45)	2,0	(4.2)
5	(70)	2,7	(5.7)
6,3	(90)	3,0	(6.4)
7	(100)	3,1	(6.6)
9	(130)	3,6	(7.6)

† Maximum flow to maintain stated oil removal performance.

Ordering Information. Models listed include ISO G threads, automatic drain and transparent bowl.

Port Size	Model Numbers	Saturated Flow* Flow dm ³ /s (scfm)	Dry Flow† Flow dm ³ /s (scfm)	Weight kg (lbs)
G1/8	F39-100-A0TG	2,8 (6.0)	5,3 (11.2)	0.13 (0.28)
G1/4	F39-200-A0TG	3,0 (6.4)	5,8 (12.2)	0.13 (0.28)

* Approximate flow at 6,3 bar (90 psig) inlet pressure and 0,3 bar (5 psig) pressure drop.

† Dry flows apply only when all oil, water, and other aerosols are removed.

Alternative Models

F 3 9 - ★ ★ ★ - ★ ★ ★ ★

Port Size	Substitute
1/8"	1
1/4"	2

Option	Substitute
Not applicable	0

Option	Substitute
Not applicable	0

Threads	Substitute
PTF	A
ISO Rc taper	B
ISO G parallel	G

Bowl	Substitute
Transparent	T
Metal	M

Element	Substitute
Coalescing	0

Drain	Substitute
Automatic	A
Manual	M
Constant bleed	B

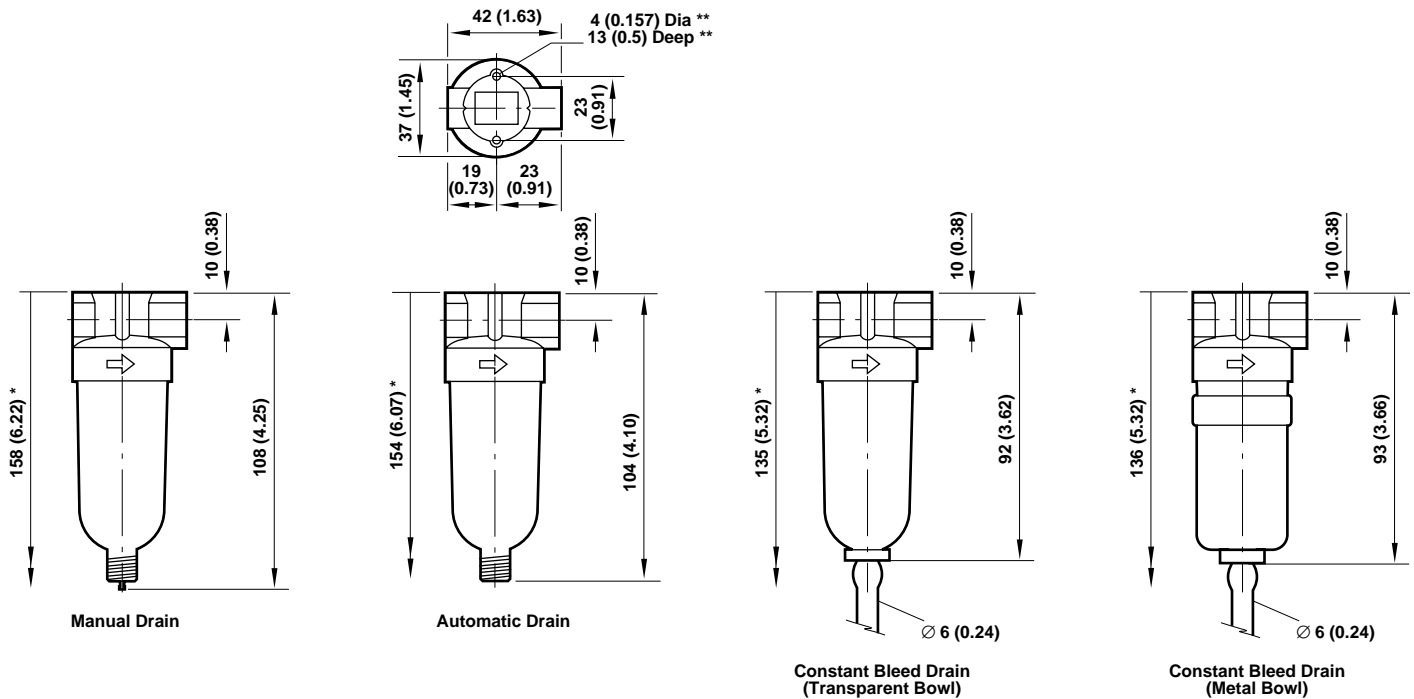
Accessories

Wall Mounting Bracket
and Body Screws

5939-06



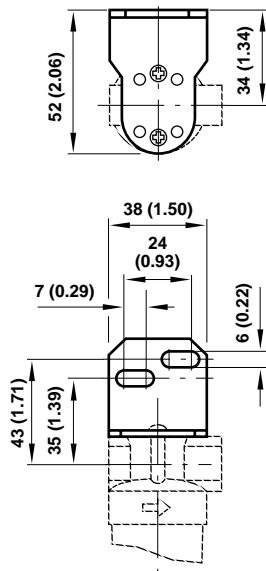
Dimensions mm (inches)



* Minimum clearance to remove bowl.
 ** Mounting holes.

Bracket Mounting

Use 1/8" (3 mm) screws to mount bracket to wall.



Bracket Kit Reference

Item	Part Number
All models	5939-06

Service Kits

Item	Type	Part number
Service kit	All models	4141-10
Replacement drains	Manual	773-03
	Automatic	3654-02

Service kit includes element, element o-ring, and bowl o-ring.



Warning

These products are intended for use in industrial compressed air systems only. Do not use these products where pressures and temperatures can exceed those listed under **Technical Data**.

Before using these products with fluids other than those specified, for non-industrial applications, life-support systems, or other applications not within published specifications, consult NORGREN.

Through misuse, age, or malfunction, components used in fluid power systems can fail in various modes. The system designer is warned to consider the failure modes of all component parts used in fluid power systems and to provide adequate safeguards to prevent personal injury or damage to equipment in the event of such failure.

System designers must provide a warning to end users in the system instructional manual if protection against a failure mode cannot be adequately provided.

System designers and end users are cautioned to review specific warnings found in instruction sheets packed and shipped with these products.

Water vapor will pass through these units and will condense into liquid if air temperature drops in the downstream system. Install an air dryer if water condensation could have a detrimental effect on the application.