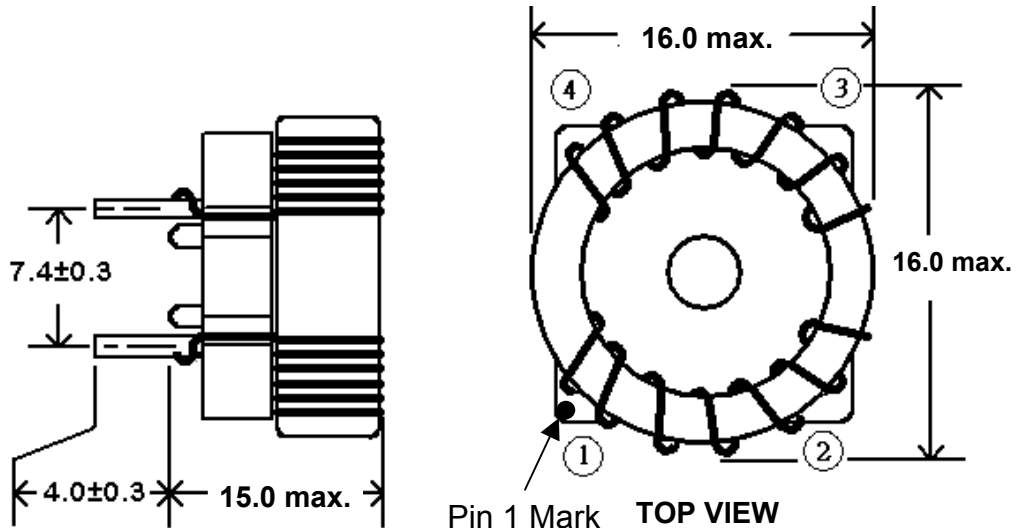
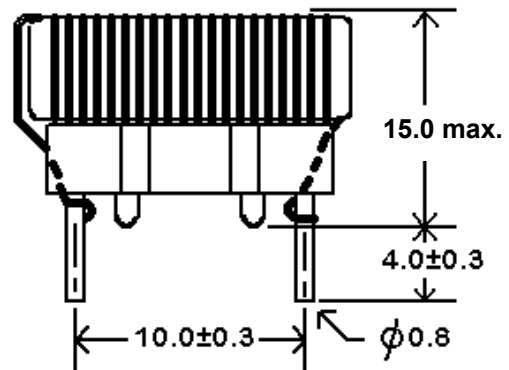
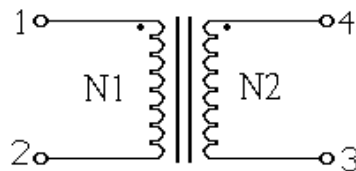


TCK-064



SIDE VIEW



FRONT VIEW

All dimensions in mm

SPECIFICATIONS

| | |
|--------------------------|--|
| Inductance | Pin 1-2: 1186µH ±35% Pin 3-4: 1186µH ±35% |
| | Test Condition: 100KHz/100mV Measurement Instrument: HP 4263B LCR Meter |
| Impedance | DCR (Max): 21.56 mΩ |
| | Measurement Instrument: HIOKI 3540 mΩ Hitester |
| Rated Current | IDC (Max): 5.8A |
| | Measurement Instrument: Agilent 34401A Meter |
| Rated Voltage | 500VDC |
| Operating Temperature | -40°C – +105°C |
| Recommended Through Hole | Φ 1.0 mm |