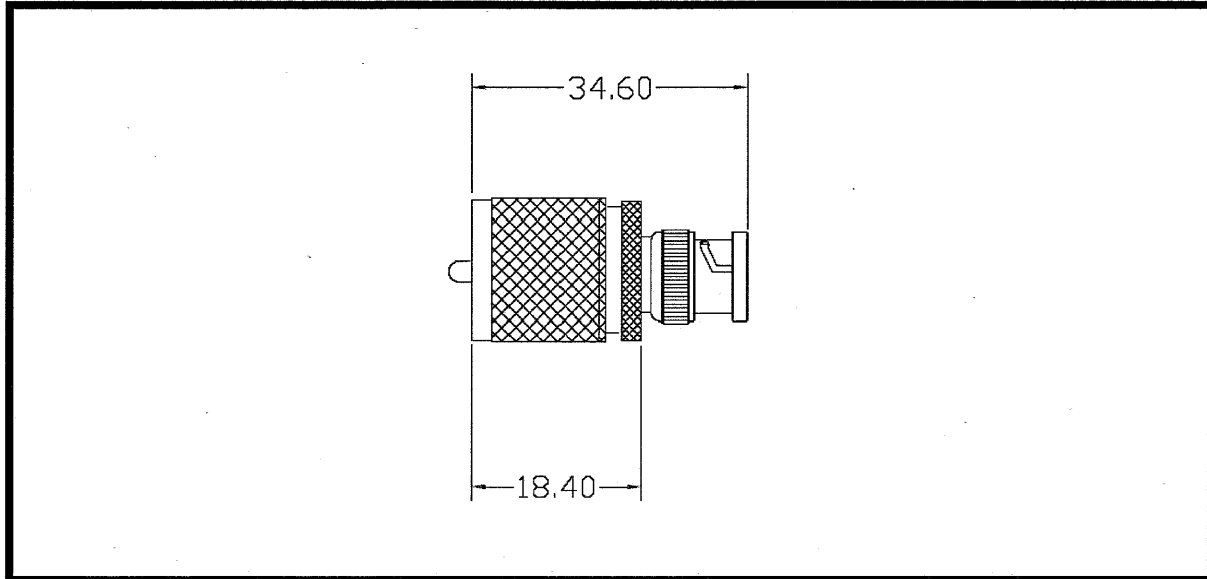




1850 Route 46 - Ledgewood, New Jersey - Phone: (973) 347-4040 - Fax: (973) 347-2111

## PRODUCT BULLETIN



**Part Number 3307505**

**BNC Male to UHF Male Adapter**

### Features and Specifications

- » **Body:** Machined Brass, Nickel Plate
  - » **Contact:** Brass, 5u in. Gold Plate
  - » **Impedance:** 50 Ohm
  - » **Temp. Range:** -55C to +100C
  - » **Frequency:** Up to 1 GHz
-