


Long-distance Detection of Aluminum, Brass, and other Non-ferrous Metals

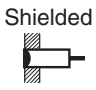



- Same sensing distance as iron.
- Maximum sensing distance: 10 mm.



 Be sure to read *Safety Precautions* on page 5.

Ordering Information

Sensors [Refer to *Dimensions* on page 6.]

| Appearance | Sensing distance | Output configuration | Model | |
|---|---|----------------------|----------------|---------------|
| | | | Operation mode | |
| | | | NO | NC |
|  Shielded | M12  2 mm | DC 3-wire NPN | E2EV-X2C1 2M | E2EV-X2C2 2M |
| | M18  5 mm | | E2EV-X5C1 2M | E2EV-X5C2 2M |
| | M30  10 mm | | E2EV-X10C1 2M | E2EV-X10C2 2M |

Accessories (Order Separately)

[Mounting Brackets](#)

[Protective Covers](#)

[Sputter Protective Covers](#)

Refer to Y92□ for details.

Ratings and Specifications

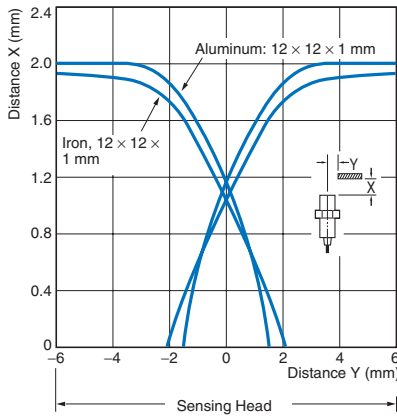
| Model | | E2EV-X2C1 E2EV-X2C2 | E2EV-X5C1 E2EV-X5C2 | E2EV-X10C1 E2EV-X10C2 |
|---|-------------------------|--|--------------------------|--------------------------|
| Item | | | | |
| Sensing distance | | 2mm ±10% | 5 mm ±10% | 10 mm ±10% |
| Set distance | | 0 to 1.4 mm | 0 to 3.5 mm | 0 to 7 mm |
| Differential travel | | 10% max. of sensing distance | | |
| Detectable object | | Ferrous metal and non-ferrous metal | | |
| Standard sensing object | | Aluminum: 12 × 12 × 1 mm | Aluminum: 18 × 18 × 1 mm | Aluminum: 30 × 30 × 1 mm |
| Response frequency * | | 150 Hz | 70 Hz | |
| Power supply voltage (operating voltage range) | | 12 to 24 VDC (10 to 30 VDC), ripple (p-p): 10% max. | | |
| Current consumption | | 15 mA max. | | |
| Control output | Load current | NPN open-collector output, 100 mA max. (at 30 VDC) | | |
| | Residual voltage | 2 V max. (Load current: 100 mA, Cable length: 2 m) | | |
| Indicators | | Detection indicator (red) | | |
| Operation mode (with sensing object approaching) | | C1 Models: NO Refer to the timing charts under <i>I/O Circuit Diagrams</i> on page 4 for details. C2 Models: NC | | |
| Protection circuits | | Reverse polarity protection, Load short-circuit protection, Surge suppressor | | |
| Ambient temperature range | | Operating/Storage: -10 to 55°C (with no icing or condensation) | | |
| Ambient humidity range | | Operating/Storage: 35% to 95% (with no condensation) | | |
| Temperature influence | | ±20% max. of sensing distance at 23°C in the temperature range of -10 to 55°C | | |
| Voltage influence | | ±2.5% max. of sensing distance at rated voltage in the rated voltage ±15% range | | |
| Insulation resistance | | 50 MΩ min. (at 500 VDC) between current-carrying parts and case | | |
| Dielectric strength | | 1,000 VAC, 50/60 Hz for 1 minute between current-carrying parts and case | | |
| Vibration resistance | | Destruction: 10 to 55 Hz, 1.5-mm double amplitude for 2 hours each in X, Y, and Z directions | | |
| Shock resistance | | Destruction: 1,000 m/s ² 10 times each in X, Y, and Z directions | | |
| Degree of protection | | IEC 60529 IP67, in-house standards: oil-resistant | | |
| Connection method | | Pre-wired Models (Standard cable length: 2 m) | | |
| Weight (packed state) | | Approx. 120 g | Approx. 140 g | Approx. 190 g |
| Materials | Case | Nickel-plated brass | | |
| | Sensing surface | Heat-resistant ABS | | |
| | Clamping nuts | Nickel-plated brass | | |
| | Toothed washer | Zinc-plated iron | | |
| Accessories | | Instruction manual | | |

* The response frequency is an average value. Measurement conditions are as follows: standard sensing object, a distance of twice the standard sensing object, and a set distance for the DC switching section of half the sensing distance.

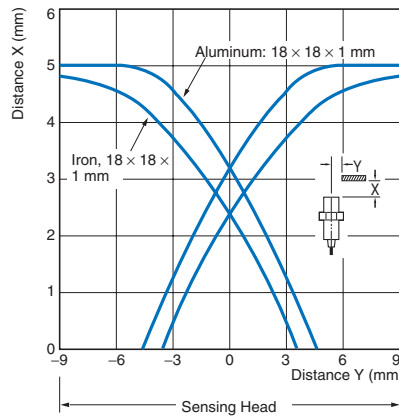
Engineering Data (Typical)

Sensing Area (Note: Other non-ferrous metal, such as stainless steel, copper, and brass, have the same characteristics.)

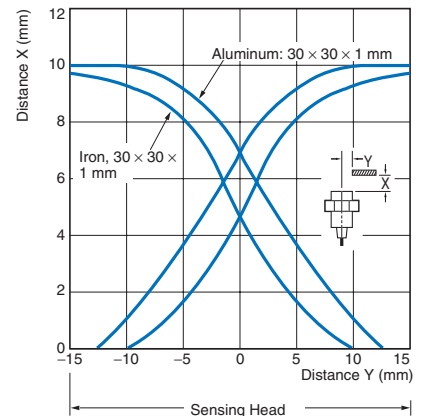
E2EV-X2C



E2EV-X5C

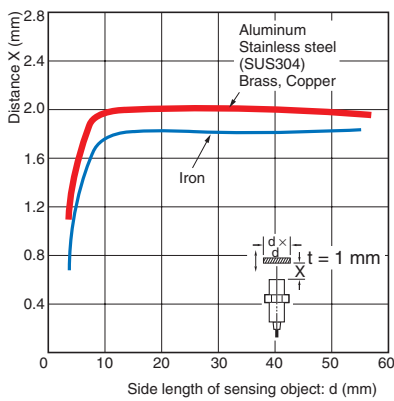


E2EV-X10C

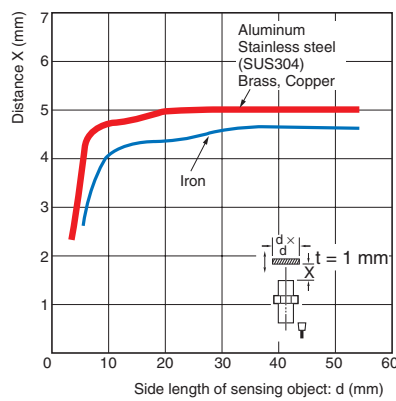


Influence of Sensing Object Size and Material

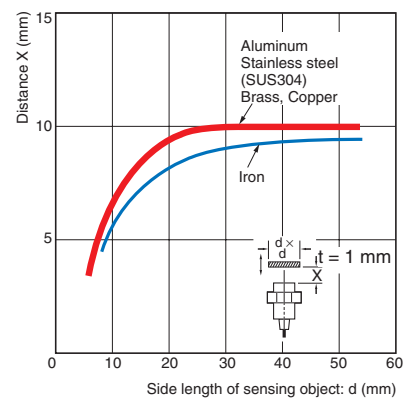
E2EV-X2C



E2EV-X5C

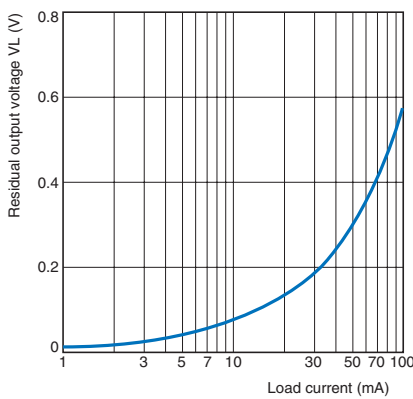


E2EV-X10C



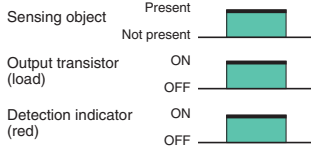
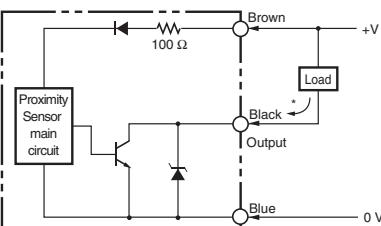
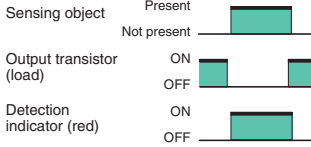
Residual Output Voltage

E2EV



I/O Circuit Diagrams

DC 3-Wire Models

| Operation mode | Model | Timing chart | Output circuit |
|----------------|--------------------------------------|---|---|
| NO | E2EV-X2C1 E2EV-X5C1 E2EV-X10C1 |  |  <p data-bbox="997 560 1236 582">*Load current: 100 mA max.</p> |
| NC | E2EV-X2C2 E2EV-X5C2 E2EV-X10C2 |  | |

Safety Precautions

Refer to *Warranty and Limitations of Liability*.

WARNING

This product is not designed or rated for ensuring safety of persons either directly or indirectly. Do not use it for such purposes.



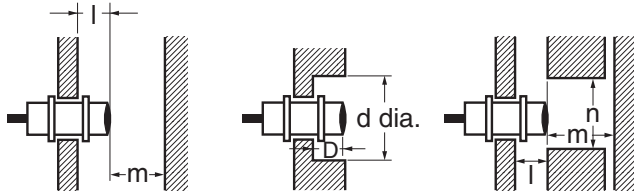
Precautions for Correct Use

Do not use this product under ambient conditions that exceed the ratings.

● Design

Influence of Surrounding Metal

When mounting the Sensor within a metal panel, ensure that the clearances given in the following table are maintained. Failure to maintain these distances may cause deterioration in the performance of the Sensor.



Influence of Surrounding Metal (Unit: mm)

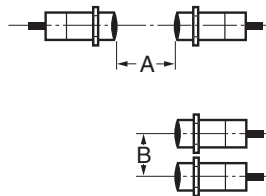
| Model | Item | l | d | D | m | n |
|------------|------|---|----|---|----|----|
| E2EV-X2C□ | | 0 | 12 | 0 | 8 | 18 |
| E2EV-X5C□ | | | 18 | | 20 | 27 |
| E2EV-X10C□ | | | 30 | | 40 | 45 |

Mutual Interference

When installing Sensors face-to-face or side-by-side, ensure that the minimum distances given in the following table are maintained.

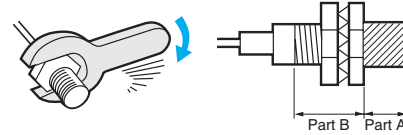
Mutual Interference (Unit: mm)

| Model | Item | A | B |
|------------|------|-----|----|
| E2EV-X2C□ | | 30 | 20 |
| E2EV-X5C□ | | 50 | 35 |
| E2EV-X10C□ | | 100 | 70 |



● Mounting

Do not tighten the nut with excessive force. A toothed washer must be used with the nut.

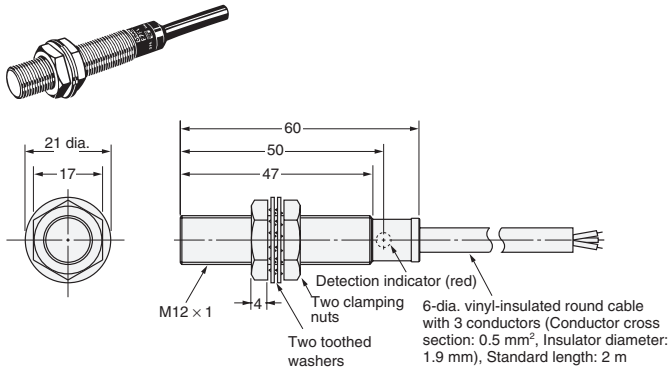


Note: 1. The allowable tightening strength depends on the distance from the edge of the head, as shown in the following table. (A is the distance from the edge of the head. B includes the nut on the head side. If the edge of the nut is in part A, the tightening torque for part A applies instead.)
2. The following strength assume washers are being used.

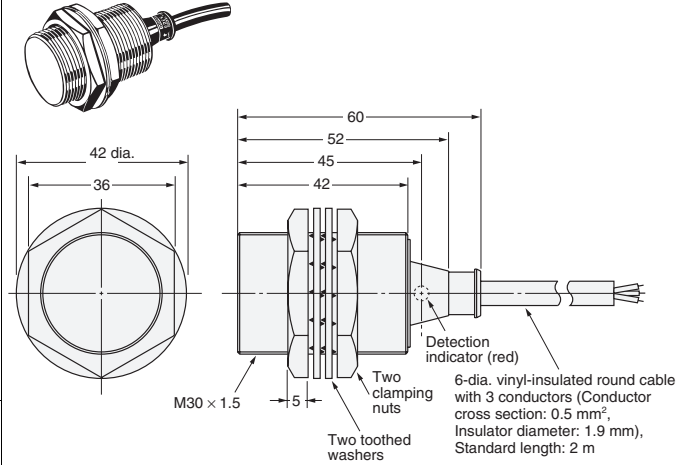
| Tightening Torque Model | Part A | | Part B |
|-------------------------|----------------|---------|---------|
| | Dimension (mm) | Torque | Torque |
| E2EV-X2C□ | 17 | 5.9 N·m | 9.8 N·m |
| E2EV-X5C□ | 22 | 15 N·m | 49 N·m |
| E2EV-X10C□ | 26 | 39 N·m | 78 N·m |

Dimensions

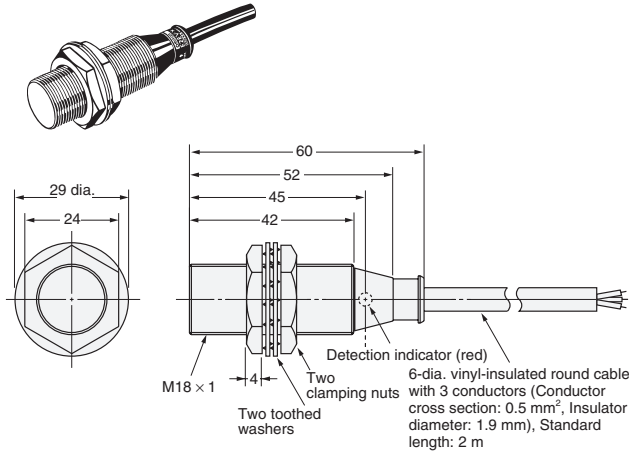
E2EV-X2C□



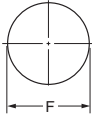
E2EV-X10C□



E2EV-X5C□



Mounting Hole Dimensions



| Model | F (mm) |
|------------|--|
| E2EV-X2C□ | 12.5 ^{+0.5} ₀ dia. |
| E2EV-X5C□ | 18.5 ^{+0.5} ₀ dia. |
| E2EV-X10C□ | 30.5 ^{+0.5} ₀ dia. |

Read and Understand This Catalog

Please read and understand this catalog before purchasing the products. Please consult your OMRON representative if you have any questions or comments.

Warranty and Limitations of Liability

WARRANTY

OMRON's exclusive warranty is that the products are free from defects in materials and workmanship for a period of one year (or other period if specified) from date of sale by OMRON.

OMRON MAKES NO WARRANTY OR REPRESENTATION, EXPRESS OR IMPLIED, REGARDING NON-INFRINGEMENT, MERCHANTABILITY, OR FITNESS FOR PARTICULAR PURPOSE OF THE PRODUCTS. ANY BUYER OR USER ACKNOWLEDGES THAT THE BUYER OR USER ALONE HAS DETERMINED THAT THE PRODUCTS WILL SUITABLY MEET THE REQUIREMENTS OF THEIR INTENDED USE. OMRON DISCLAIMS ALL OTHER WARRANTIES, EXPRESS OR IMPLIED.

LIMITATIONS OF LIABILITY

OMRON SHALL NOT BE RESPONSIBLE FOR SPECIAL, INDIRECT, OR CONSEQUENTIAL DAMAGES, LOSS OF PROFITS OR COMMERCIAL LOSS IN ANY WAY CONNECTED WITH THE PRODUCTS, WHETHER SUCH CLAIM IS BASED ON CONTRACT, WARRANTY, NEGLIGENCE, OR STRICT LIABILITY.

In no event shall the responsibility of OMRON for any act exceed the individual price of the product on which liability is asserted.

IN NO EVENT SHALL OMRON BE RESPONSIBLE FOR WARRANTY, REPAIR, OR OTHER CLAIMS REGARDING THE PRODUCTS UNLESS OMRON'S ANALYSIS CONFIRMS THAT THE PRODUCTS WERE PROPERLY HANDLED, STORED, INSTALLED, AND MAINTAINED AND NOT SUBJECT TO CONTAMINATION, ABUSE, MISUSE, OR INAPPROPRIATE MODIFICATION OR REPAIR.

Application Considerations

SUITABILITY FOR USE

OMRON shall not be responsible for conformity with any standards, codes, or regulations that apply to the combination of products in the customer's application or use of the products.

At the customer's request, OMRON will provide applicable third party certification documents identifying ratings and limitations of use that apply to the products. This information by itself is not sufficient for a complete determination of the suitability of the products in combination with the end product, machine, system, or other application or use.

The following are some examples of applications for which particular attention must be given. This is not intended to be an exhaustive list of all possible uses of the products, nor is it intended to imply that the uses listed may be suitable for the products:

- Outdoor use, uses involving potential chemical contamination or electrical interference, or conditions or uses not described in this catalog.
- Nuclear energy control systems, combustion systems, railroad systems, aviation systems, medical equipment, amusement machines, vehicles, safety equipment, and installations subject to separate industry or government regulations.
- Systems, machines, and equipment that could present a risk to life or property.

Please know and observe all prohibitions of use applicable to the products.

NEVER USE THE PRODUCTS FOR AN APPLICATION INVOLVING SERIOUS RISK TO LIFE OR PROPERTY WITHOUT ENSURING THAT THE SYSTEM AS A WHOLE HAS BEEN DESIGNED TO ADDRESS THE RISKS, AND THAT THE OMRON PRODUCTS ARE PROPERLY RATED AND INSTALLED FOR THE INTENDED USE WITHIN THE OVERALL EQUIPMENT OR SYSTEM.

PROGRAMMABLE PRODUCTS

OMRON shall not be responsible for the user's programming of a programmable product, or any consequence thereof.

Disclaimers

CHANGE IN SPECIFICATIONS

Product specifications and accessories may be changed at any time based on improvements and other reasons.

It is our practice to change model numbers when published ratings or features are changed, or when significant construction changes are made. However, some specifications of the products may be changed without any notice. When in doubt, special model numbers may be assigned to fix or establish key specifications for your application on your request. Please consult with your OMRON representative at any time to confirm actual specifications of purchased products.

DIMENSIONS AND WEIGHTS

Dimensions and weights are nominal and are not to be used for manufacturing purposes, even when tolerances are shown.

PERFORMANCE DATA

Performance data given in this catalog is provided as a guide for the user in determining suitability and does not constitute a warranty. It may represent the result of OMRON's test conditions, and the users must correlate it to actual application requirements. Actual performance is subject to the OMRON Warranty and Limitations of Liability.

ERRORS AND OMISSIONS

The information in this document has been carefully checked and is believed to be accurate; however, no responsibility is assumed for clerical, typographical, or proofreading errors, or omissions.

2008.11

In the interest of product improvement, specifications are subject to change without notice.

OMRON Corporation
Industrial Automation Company

<http://www.ia.omron.com/>

(c)Copyright OMRON Corporation 2008 All Right Reserved.