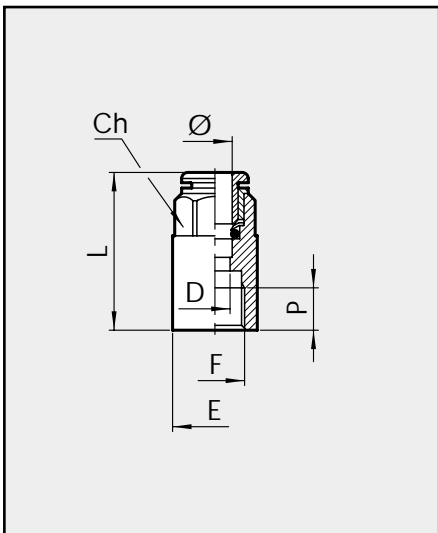




STRAIGHT, FEMALE (R2)

Code Ref. Ø F Ch P L D E



MINIATURE SERIES FOX

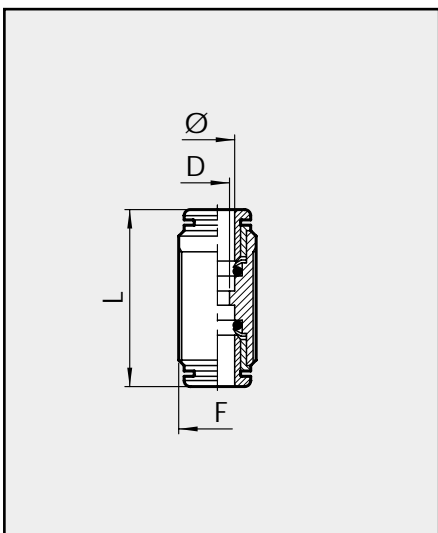
2002B02	R2	3	M5	7	4.5	15.7	2.5	7.8
2002A02	R2	3.17	M5	7	4.5	15.7	2.5	7.8
2L02001	RL2	4	1/8	10	7	25.2	3	14
2L02002	RL2	4	1/4	10	8	27.5	3	17
2L02005	RL2	6	1/8	12	7	26.1	5	14
2L02006	RL2	6	1/4	12	8	28.3	5	17
2L02007	RL2	8	1/8	13	7	27.3	7	14
2L02008	RL2	8	1/4	14	8	29.1	7	17

SERIES R

2002001	R2	4	1/8	11	7.0	28.0	3.0	14.0
2002002	R2	4	1/4	11	8.0	30.5	3.0	17.0
2002003	R2	5	1/8	12	7.0	27.0	4.0	14.0
2002004	R2	5	1/4	12	8.0	29.5	4.0	17.0
2002005	R2	6	1/8	13	7.0	27.0	5.0	15.0
2002006	R2	6	1/4	13	8.0	29.5	5.0	17.0
2002007	R2	8	1/8	15	7.0	30.0	7.0	17.0
2002008	R2	8	1/4	15	8.0	32.0	7.0	17.0

STRAIGHT, INTERMEDIATE (R3)

Code Ref. Ø F L D



MINIATURE SERIES FOX

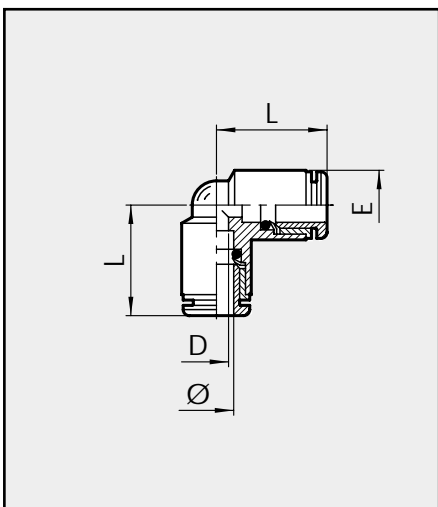
2003A02	R3	3	M8x0.75	18.4	2
2003A01	R3	3.17	M8x0.75	18.4	2
2L03001	RL3	4	M11x1	28.6	2.5
2L03003	RL3	6	M13x1	31.2	4.5
2L03004	RL3	8	M15x1	33.9	6.5
2L03005	RL3	10	M17x1	37.8	8

SERIES R

2003001	R3	4	M13x1	34.0	3
2003002	R3	5	M14x1	33.5	4
2003003	R3	6	M15x1	33.5	5
2003004	R3	8	M17x1	40.0	7
2003005	R3	10	M20x1	44.5	9
2003006	R3	12	M22x1	50.5	11
2003007	R3	14	M24x1	53.0	12

ELBOW, INTERMEDIATE (R4)

Code Ref. Ø L D E



MINIATURE SERIES FOX

2004A02	R4	3	10.4	2	6.3
2004A01	R4	3.17	10.4	2	6.3
2L04001	RL4	4	16	2.5	9.5
2L04003	RL4	6	18.3	4.5	11.5
2L04004	RL4	8	20.7	6.5	13.5
2L04005	RL4	10	23	8	15.5

SERIES R

2004001	R4	4	18.2	3	11.5
2004002	R4	5	19.2	3	13.5
2004003	R4	6	19.7	4.5	13.5
2004004	R4	8	23.2	6	15.5
2004005	R4	10	27.5	8	18.0
2004006	R4	12	32.5	10	22.0
2004007	R4	14	33.5	12	25.0