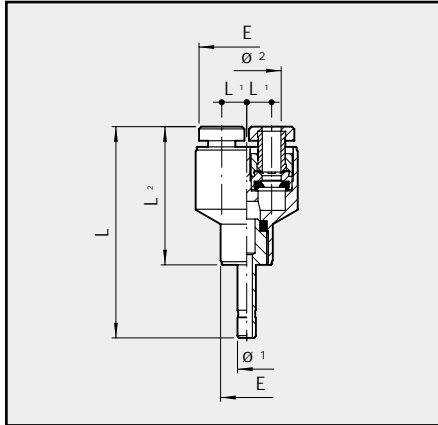
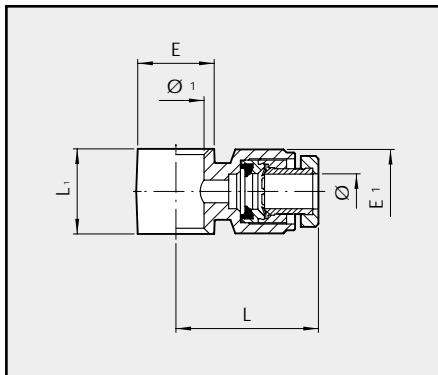


**Y BRANCH WITH ADAPTER,  
TECHNOPOLYMER (R24)**


Code	Ref.	Ø 1	Ø 2	L	L1	L2	E
------	------	-----	-----	---	----	----	---

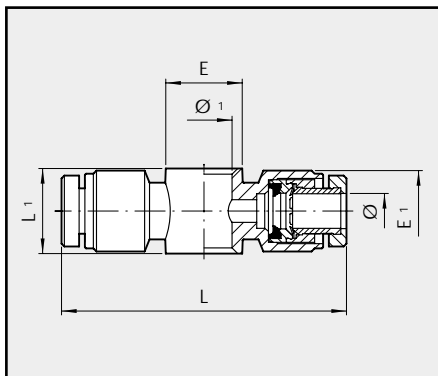
SERIES R							
2024001	R24	4	4	46.5	5.5	30.0	11
2024003	R24	6	6	48.5	7.0	31.5	14

**SINGLE RING,  
TECHNOPOLYMER (R28)**


Code	Ref.	Ø	Ø1	L	L1	E	E1
------	------	---	----	---	----	---	----

SERIES R							
2012102	R28	4	1/8	22.5	17	15	12.5
2012104	R28	5	1/8	23	17	15	13.5
2012106	R28	6	1/8	22.5	17	15	15
2012107	R28	6	1/4	24	19	18	15
2012108	R28	8	1/8	25.5	17	15	16.5
2012109	R28	8	1/4	27	19	18	16.5
2012110	R28	8	3/8	29	22	21.5	16.5
2012111	R28	10	1/4	32	19	18	18.5
2012112	R28	10	3/8	32	22	21.5	18.5
2012113	R28	12	1/4	32	19	18	21
2012114	R28	12	3/8	34	22	21.5	21
2012115	R28	12	1/2	36	24	26	21

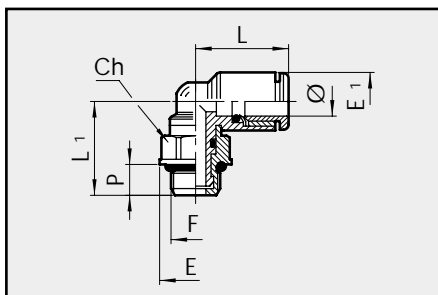
For the rods series D, see page 4.1/37

**DUAL RING,  
TECHNOPOLYMER (R29)**


Code	Ref.	Ø	Ø1	L	L1	E	E1
------	------	---	----	---	----	---	----

SERIES R							
2013102	R29	4	1/8	45	17	15	12.5
2013104	R29	5	1/8	46	17	15	13.5
2013106	R29	6	1/8	45	17	15	15
2013107	R29	6	1/4	48	19	18	15
2013108	R29	8	1/8	51	17	15	16.5
2013109	R29	8	1/4	54	19	18	16.5
2013110	R29	8	3/8	58	22	21.5	16.5
2013111	R29	10	1/4	64	19	18	18.5
2013112	R29	10	3/8	64	22	21.5	18.5
2013113	R29	12	1/4	64	19	18	21
2013114	R29	12	3/8	68	22	21.5	21
2013115	R29	12	1/2	72	24	26	21

For the rods series D, see page 4.1/37

**ROTARY ELBOW, MALE,  
TECHNOPOLYMER (RL 34)**


Code	Ref.	Ø	F	Ch	P	L	L1	E	E1
------	------	---	---	----	---	---	----	---	----

MINIATURE SERIES FOX									
2L34001	RL34	4	M5	8	4	15.5	15.2	9	9.2
2L34020	RL34	4	M7	8	5	15.5	16.2	9.8	9.2
2L34002	RL34	4	1/8	12	6	15.5	17.2	14	9.2
2L34003	RL34	4	1/4	14	8	15.5	20.1	18	9.2
2L34006	RL34	6	M5	8	4	17.1	16.3	9	11.3
2L34007	RL34	6	1/8	12	6	18.1	18.3	14	11.3
2L34008	RL34	6	1/4	14	8	18.1	21.2	18	11.3
2L34009	RL34	8	1/8	12	6	19.3	19.5	14	13.8
2L34010	RL34	8	1/4	14	8	19.3	22.4	18	13.8
2L34011	RL34	8	3/8	17	9	19.3	24.4	22	13.8