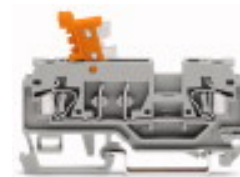


Printview: 2-conductor disconnect/test terminal block; with pivoting knife disconnect; orange disconnect link; with test port for test plug 2 mm Ø and 2.3 mm Ø - Item No.: 280-870

WAGO® online catalog / eShop

2-conductor disconnect/test terminal block; with pivoting knife disconnect; orange disconnect link; with test port for test plug 2 mm Ø and 2.3 mm Ø

Item No.: 280-870



2-conductor disconnect/test terminal block; with pivoting knife disconnect; orange disconnect link; with test port for test plug 2 mm Ø and 2.3 mm Ø

Marking

RoHS ✓
Compliant

Business data

Supplier	WAGO
Item no.	280-870
GTIN / EAN	4050821014560
Content	1
Order amount	100
Customer item number	

Notes

Technical data

Miscellaneous

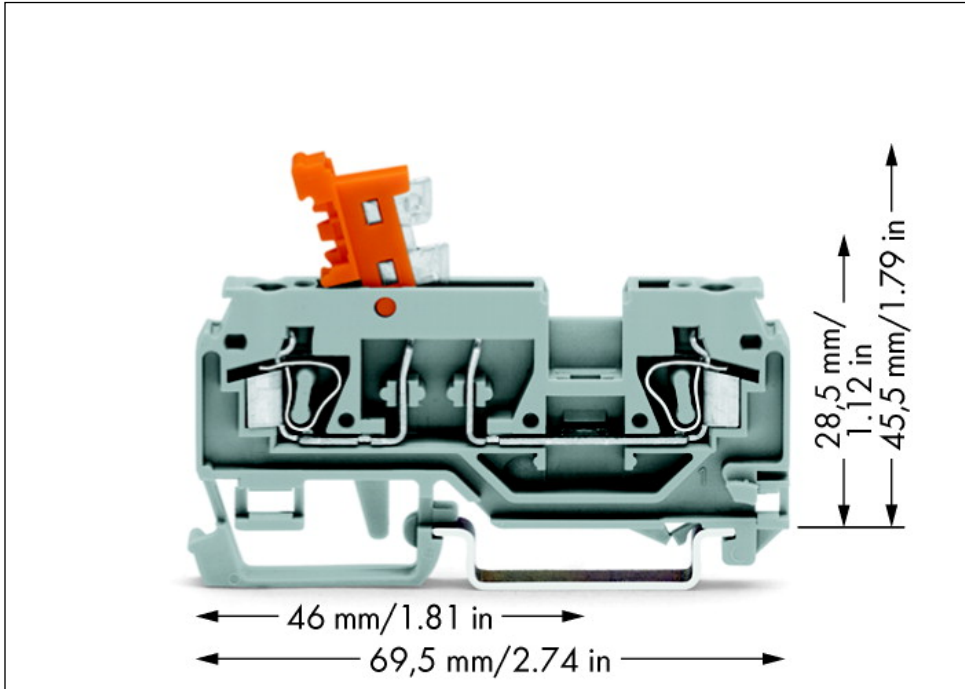
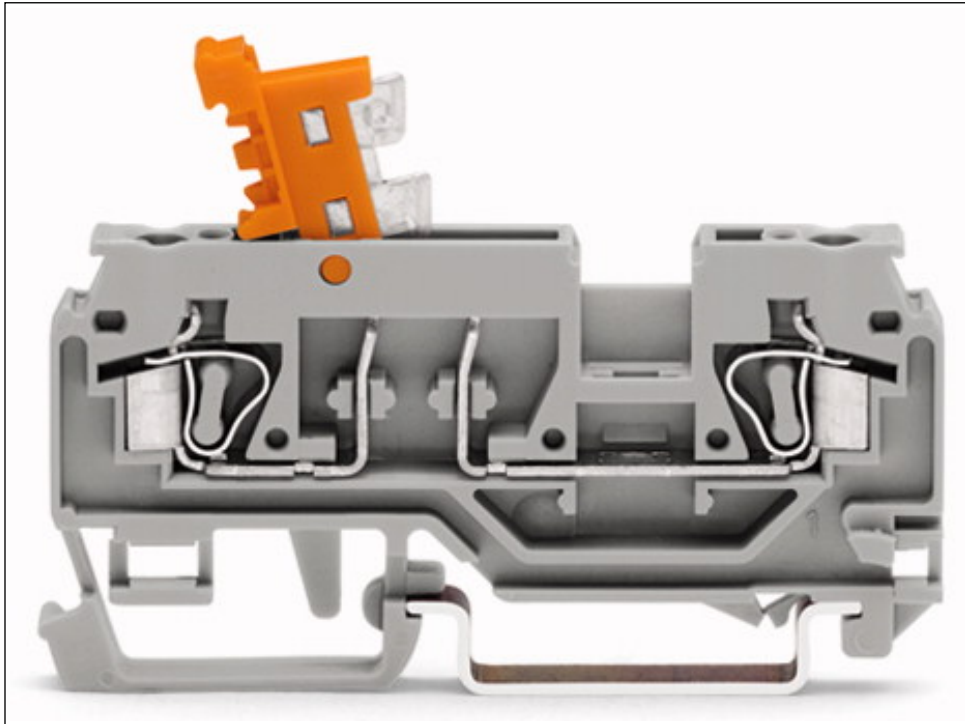
Total number of connection points	2
Total number of potentials	2
Color	gray
Pollution degree (1)	3
Rated voltage EN (1) [V]	400 [V]
Rated surge voltage (1) [kV]	6 [kV]
Nominal current [A]	16 [A]
Connection technology (1)	CAGE CLAMP®

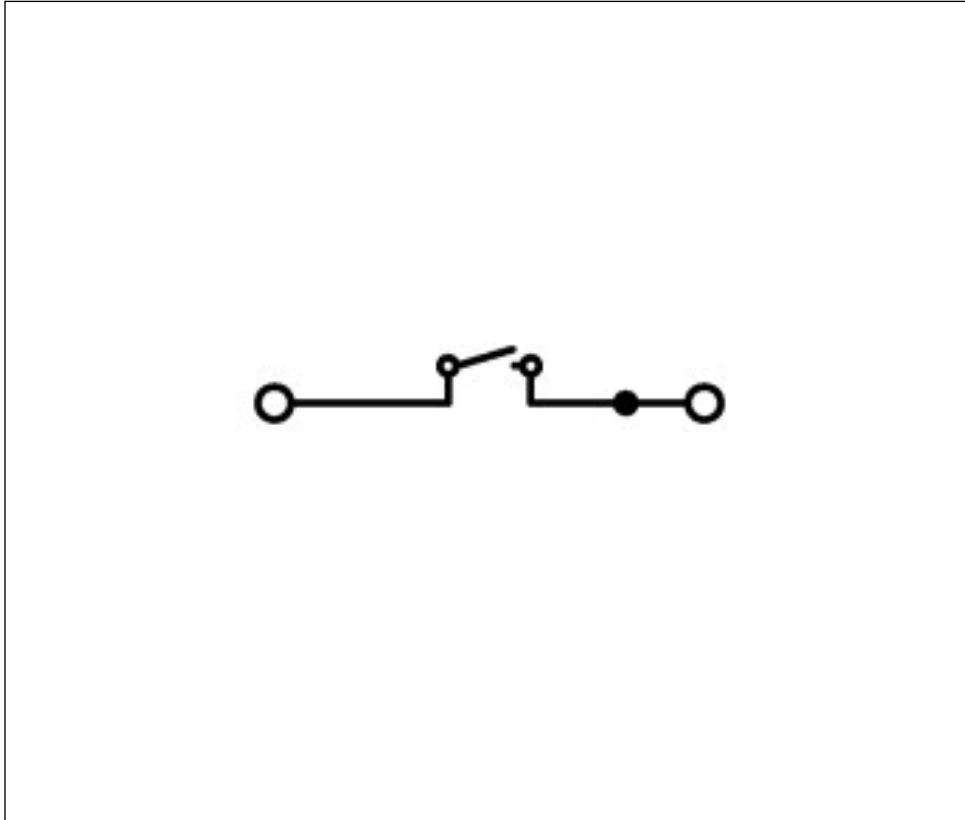
Printview: 2-conductor disconnect/test terminal block; with pivoting knife disconnect; orange disconnect link; with test port for test plug 2 mm Ø and 2.3 mm Ø - Item No.: 280-870

Technical data	
<i>Solid sizes 1</i>	<i>0.08 ... 2.5 mm² / 28 ... 12 AWG</i>
<i>Fine-stranded wires 1</i>	<i>0.08 ... 2.5 mm² / 28 ... 12 AWG</i>
<i>Strip length 1</i>	<i>8 ... 9 mm / 0.31 ... 0.35 in</i>
<i>Note (conductor cross-section)</i>	<i>12 AWG: THHN, THWN</i>
<i>Type of wiring</i>	<i>Front-entry wiring</i>
<i>Design</i>	<i>horizontal</i>
<i>Marking level</i>	<i>Center/Side marking</i>
<i>Insulating material</i>	<i>Polyamide 66 (PA 66)</i>
<i>Fire load [MJ]</i>	<i>0.152 [MJ]</i>
<i>Weight [g]</i>	<i>8.757 [g]</i>
<i>Width</i>	<i>5 mm / 0.197 in</i>
<i>Height from upper-edge of DIN-rail [mm]</i>	<i>28.5 [mm]</i>
<i>Height from upper-edge of DIN-rail</i>	<i>28.5 mm / 1.122 in</i>
<i>Length</i>	<i>69.5 mm / 2.736 in</i>
<i>Type of mounting</i>	<i>DIN 35 rail</i>

Printview: 2-conductor disconnect/test terminal block; with pivoting knife disconnect; orange disconnect link; with test port for test plug 2 mm Ø and 2.3 mm Ø - Item No.: 280-870

Images & drawings





Address

WAGO Kontakttechnik GmbH & Co. KG

Hansastr. 27

32423 Minden

Telefon: 0571/887-0

Fax: 0571/887-169

<http://www.wago.com>

© WAGO Kontakttechnik GmbH & Co. KG

Technische Änderungen und Irrtümer vorbehalten.